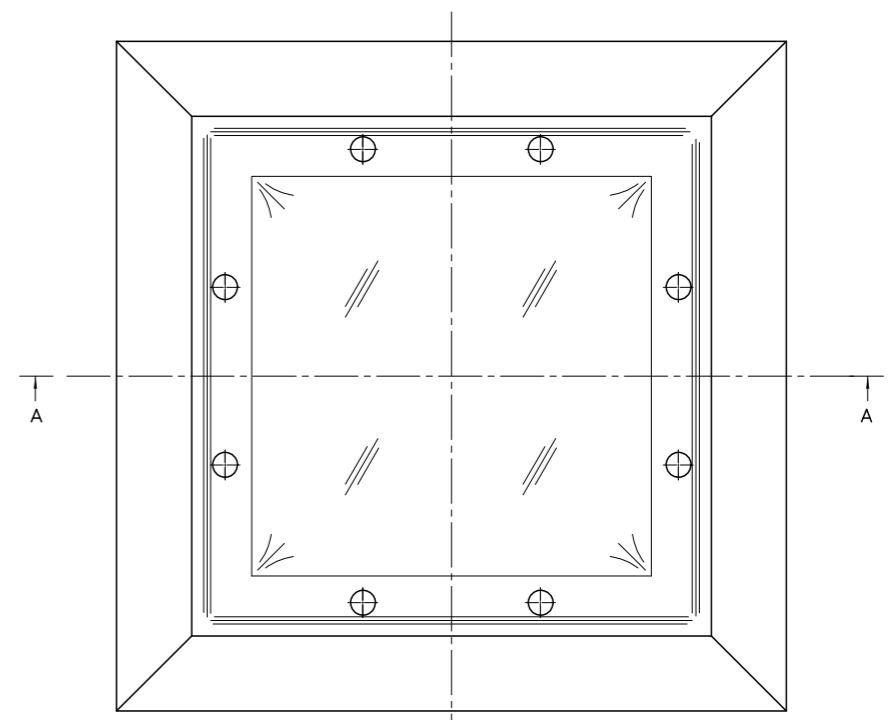
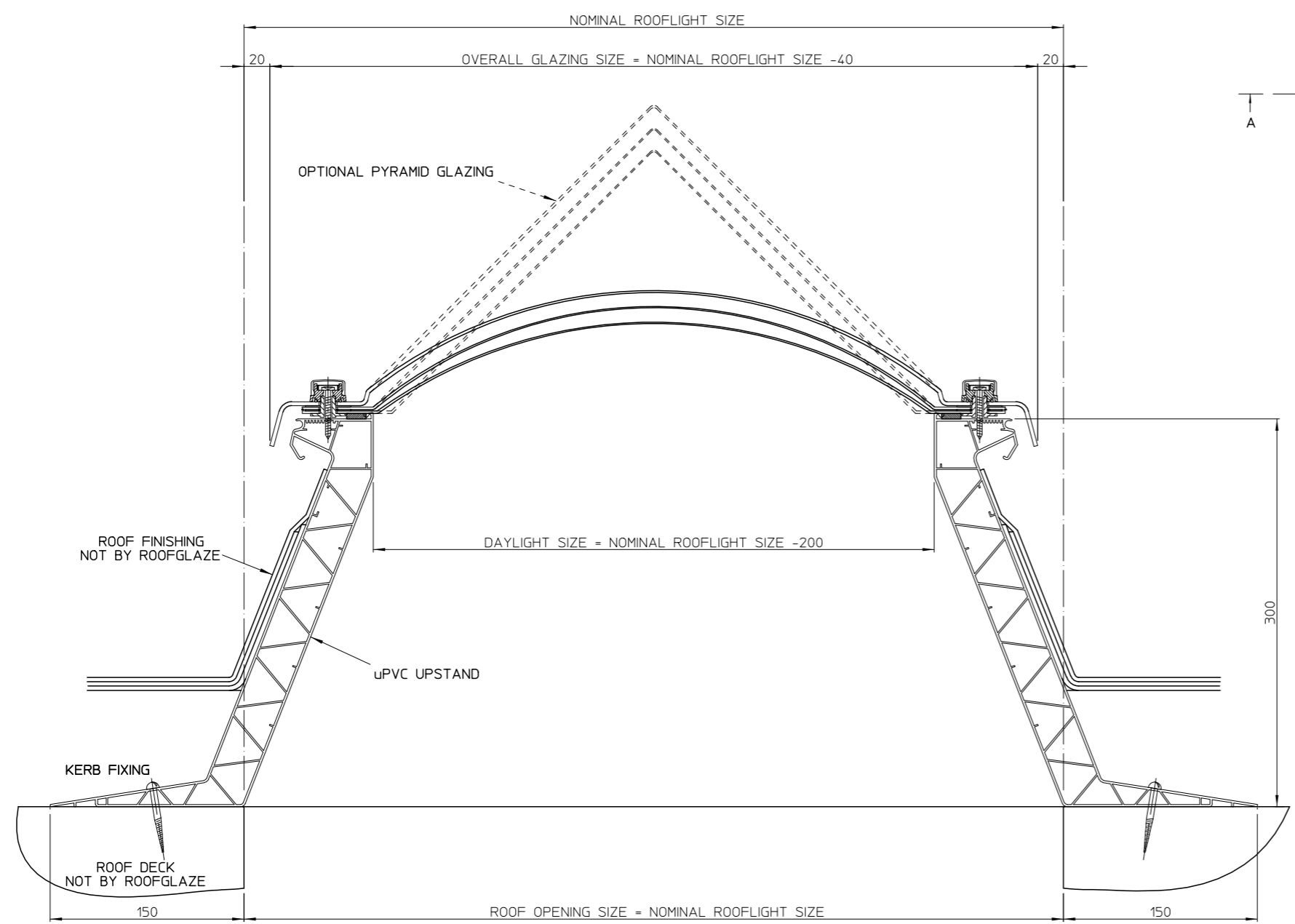
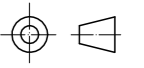


DRAWING N^o.
RG-100-105

IF IN DOUBT ASK DO NOT SCALE



PLAN Scale 1/4

STANDARD SIZES
FOR FULL RANGE SEE SPEC SHEET

1200 x 900
1200 x 600
1200 x 1200
1050 x 1050
900 x 900
750 x 750
600 x 600
NOMINAL ROOFLIGHT SIZE

THIS DRAWING MUST NOT BE COPIED OR PASSED TO A THIRD PARTY WITHOUT WRITTEN CONSENT FROM ROOFLAZE LIMITED.	CHECKED	TOLERANCE UNLESS OTHERWISE STATED ±1	MATERIAL POLYCARBONATE GLAZING UPVC UPSTAND					Roofglaze Limited. 30-32, Little End Road, Eaton Socon, St Neots, Cambs, PE19 8JH Telephone 01480 474797, Fax 01480 474774. E-mail technical@roofglaze.co.uk	ROOFLAZE	QUOTE N ^o .	DRAWING N ^o .	REV	
	DATE	DIMENSIONS IN mm	FINISH							TITLE:	A1	RG-100-105	
	DRAWN R. PADDICK DATE 27-May-2009	SCALE 1/2	WHITE							TRIPLE SKIN ECONOLITE ON 300mm uPVC UPSTAND			
				REV	AMENDMENTS	SIGNED	CHECKED	DATE					