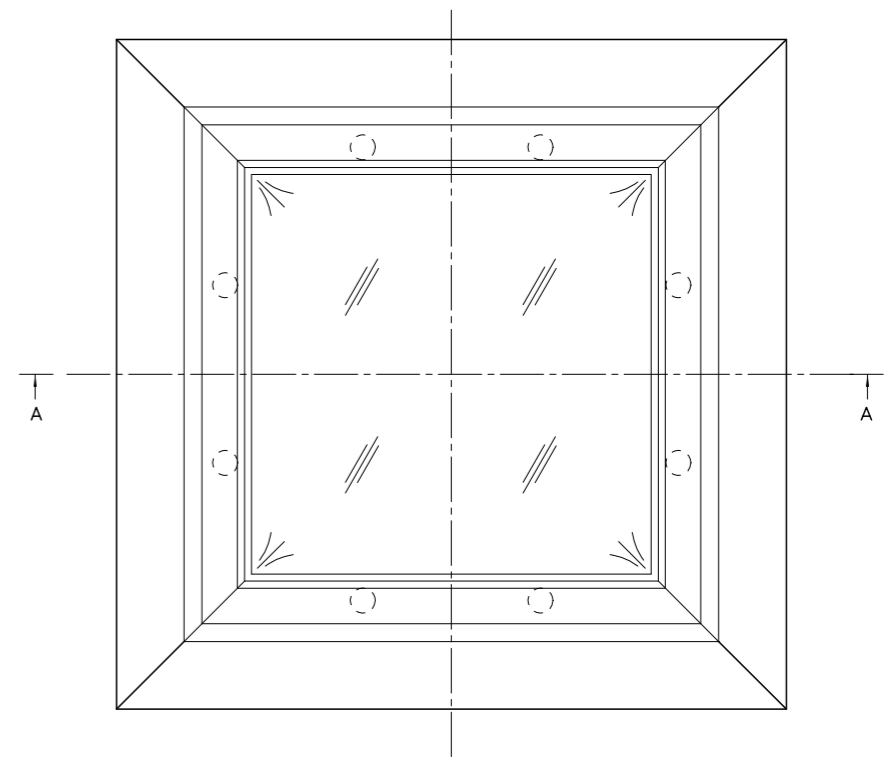
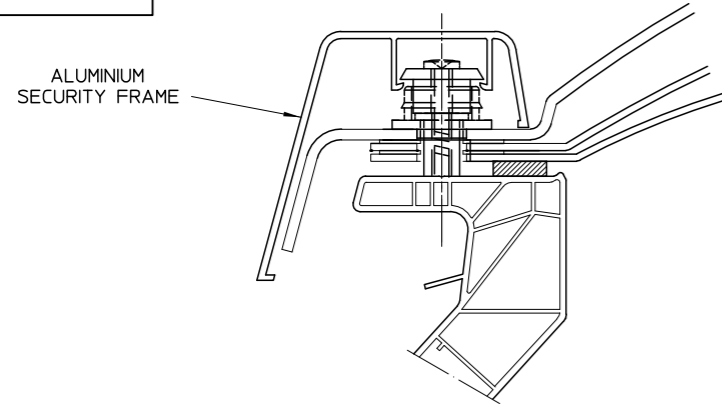
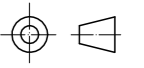
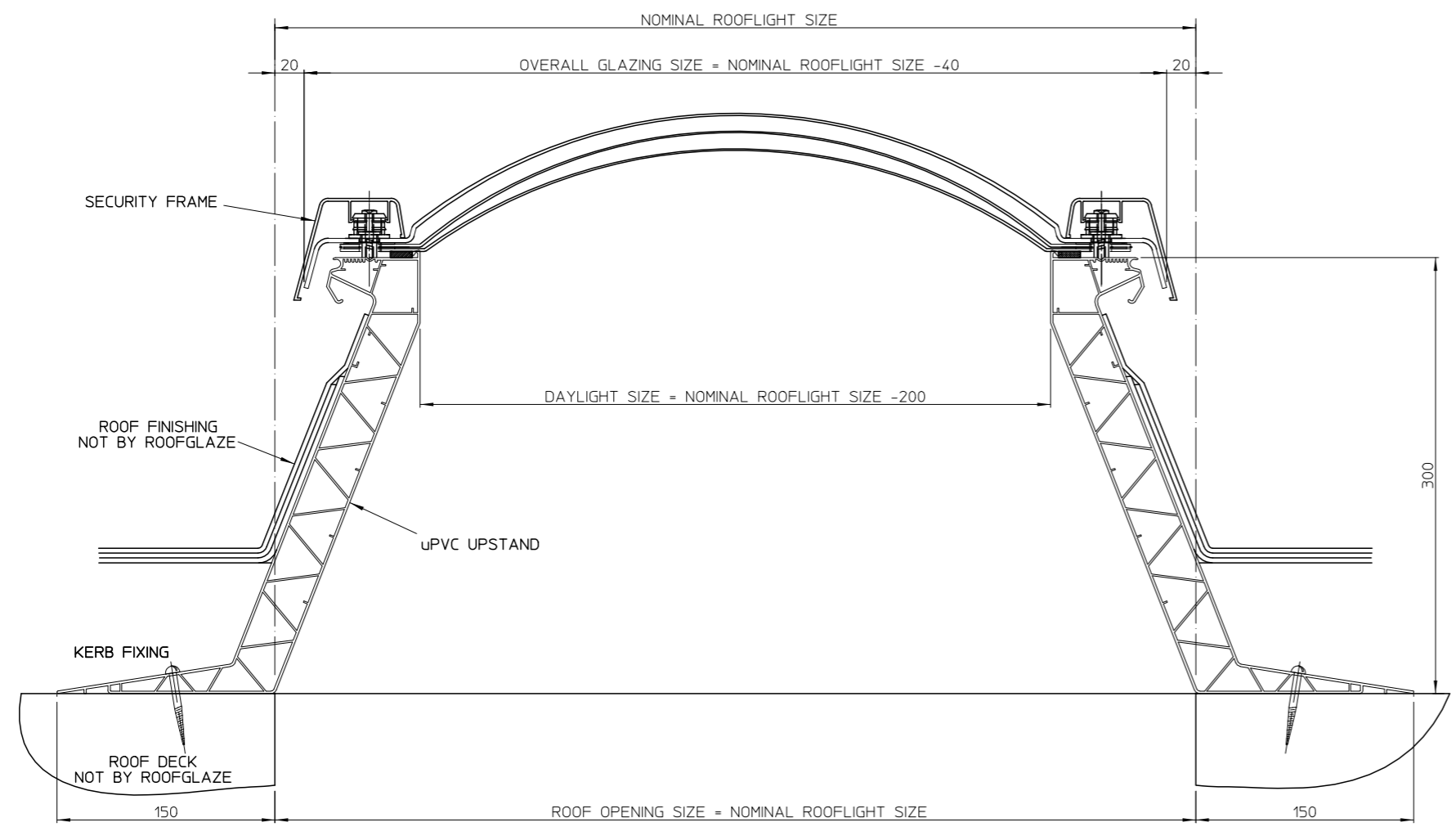


DRAWING N°.
RG-100-106

IF IN DOUBT ASK DO NOT SCALE



PLAN Scale 1/4



SECTION A-A

STANDARD SIZES
FOR FULL RANGE SEE SPEC SHEET

1200 x 900
1200 x 600
1200 x 1200
1050 x 1050
900 x 900
750 x 750
600 x 600
NOMINAL ROOFLIGHT SIZE

THIS DRAWING MUST NOT BE COPIED OR PASSED TO A THIRD PARTY WITHOUT WRITTEN CONSENT FROM ROOFLAZE LIMITED.	CHECKED	TOLERANCE UNLESS OTHERWISE STATED ±1	MATERIAL POLYCARBONATE GLAZING					Roofglaze Limited. 30-32, Little End Road, Eaton Socon, St Neots, Cambs, PE19 8JH Telephone 01480 474797, Fax 01480 474774. E-mail technical@roofglaze.co.uk	ROOFLAZE	QUOTE N°.	DRAWING N°.	REV
	DATE	DIMENSIONS IN mm	UPVC UPSTAND									
	DRAWN R. PADDICK	SCALE 1/2	FINISH WHITE									
	DATE 27-May-2009							TITLE: TRIPLE SKIN ECONOLITE WITH SECURITY FRAME COVER ON 300mm UPVC UPSTAND	A1	RG-100-106		
				REV	AMENDMENTS	SIGNED	CHECKED	DATE				