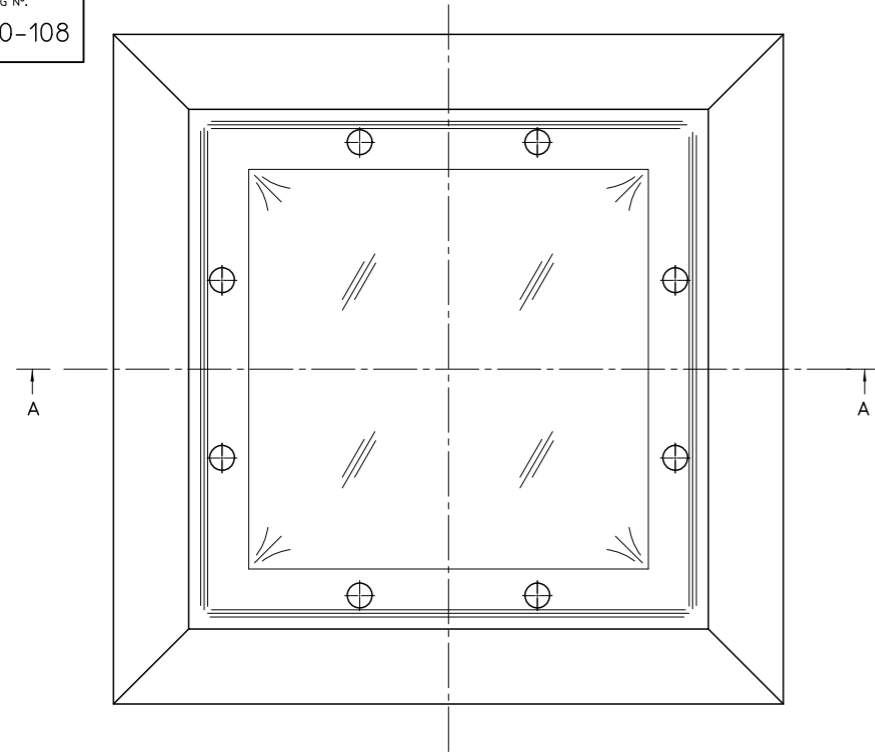
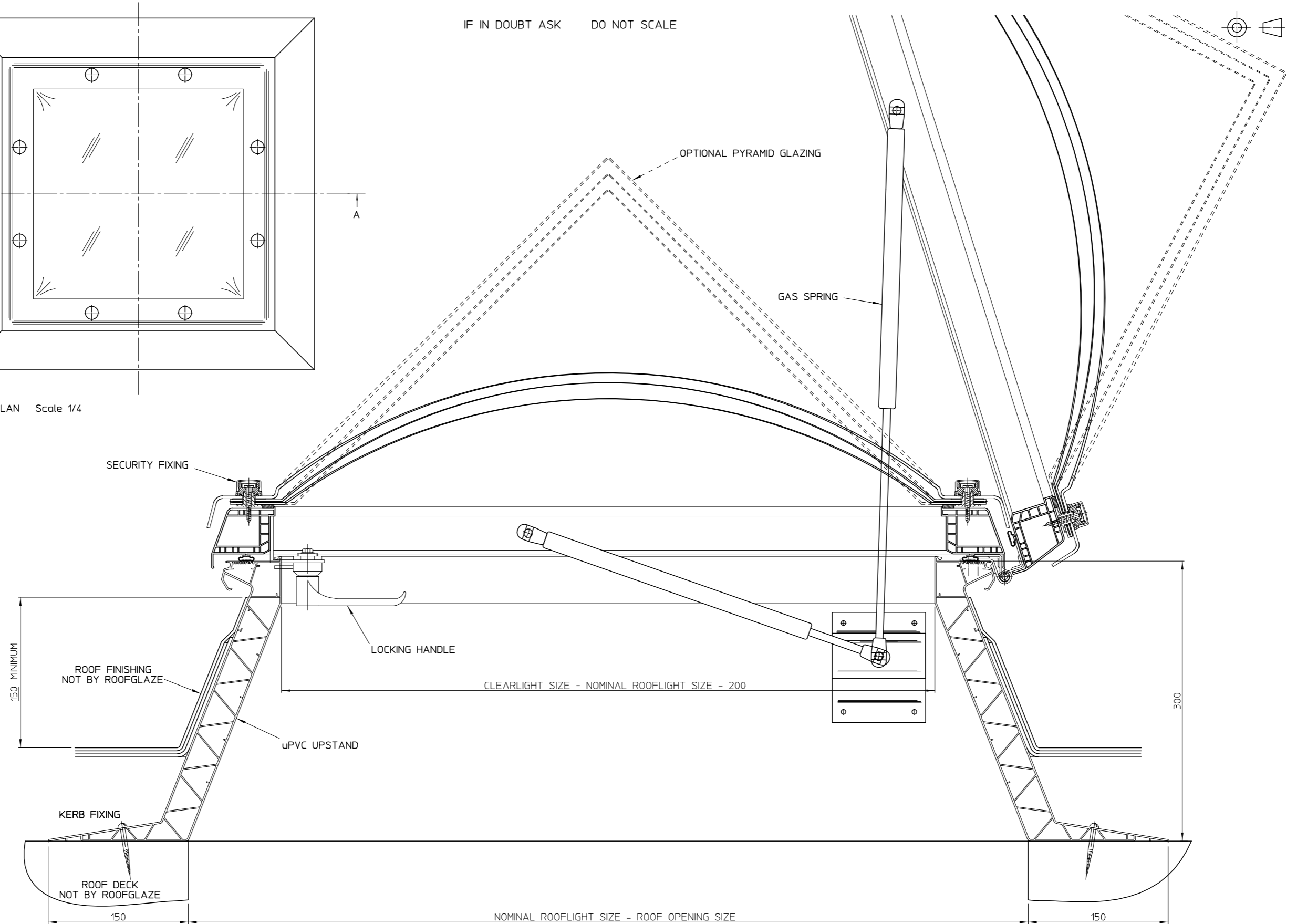


DRAWING N°.  
RG-100-108

IF IN DOUBT ASK DO NOT SCALE



PLAN Scale 1/4



SECTION A-A

THIS DRAWING MUST NOT BE COPIED OR PASSED TO A THIRD PARTY WITHOUT WRITTEN CONSENT FROM ROOFGLAZE LIMITED.	CHECKED	TOLERANCE UNLESS OTHERWISE STATED ±1	MATERIAL POLYCARBONATE GLAZING uPVC UPSTAND					Roofglaze Limited. 30-32, Little End Road, Eaton Socon, St Neots, Cambs, PE19 8JH Telephone 01480 474797, Fax 01480 474774. E-mail technical@roofglaze.co.uk	<b>ROOFGLAZE</b>		QUOTE N°.	DRAWING N°.	REV
	DATE	DIMENSIONS IN	FINISH										
	DRAWN R. PADDICK	mm	WHITE						TITLE:	A1	RG-100-108		
	DATE 17-Sep-2009	SCALE 1/2							TRIPLE SKIN ECONOLITE ACCESS HATCH ON 300mm uPVC UPSTAND				
				REV	AMENDMENTS	SIGNED	CHECKED	DATE					