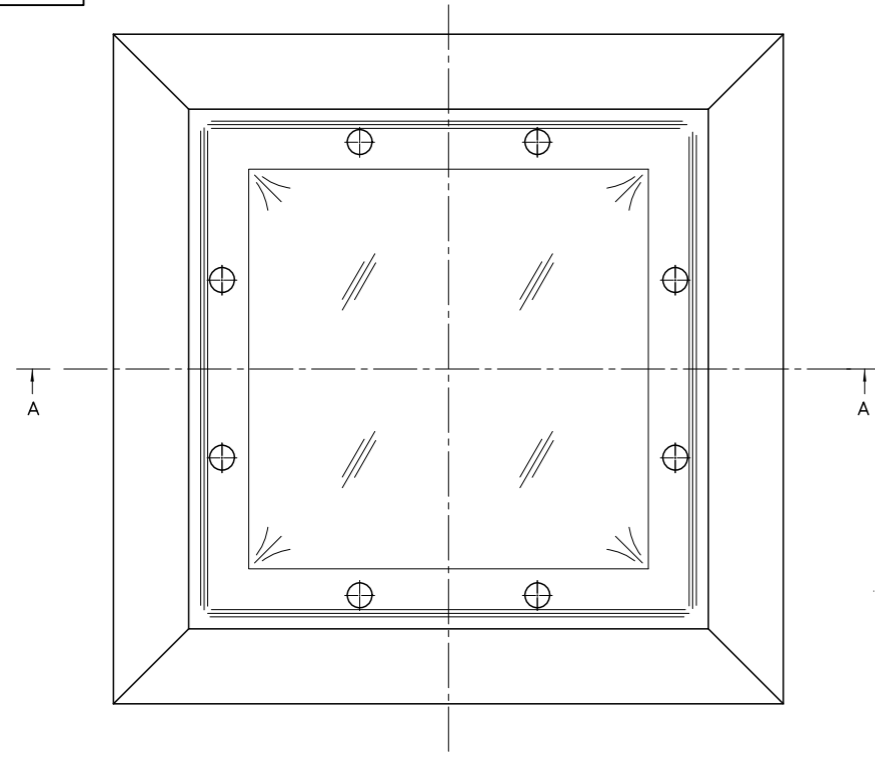
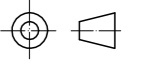
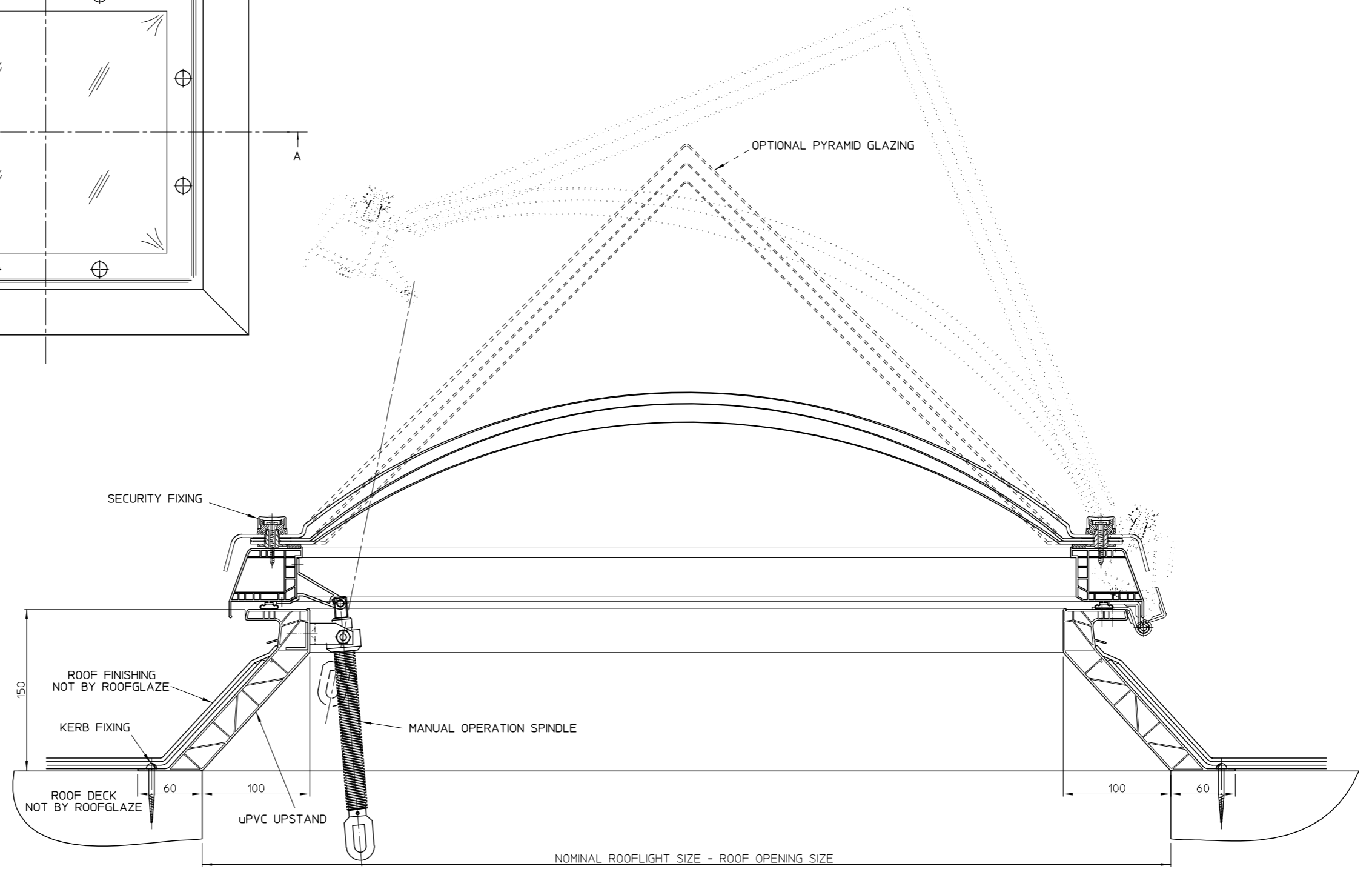


DRAWING N°.  
RG-100-109

IF IN DOUBT ASK DO NOT SCALE



PLAN Scale 1/4



SECTION A-A

0.59	1200 x 900
0.47	1200 x 600
0.66	1200 x 1200
0.58	1050 x 1050
0.49	900 x 900
0.36	750 x 750
0.20	600 x 600
VENTILATION AREA SQ/M	NOMINAL ROOFLIGHT SIZE

THIS DRAWING MUST NOT BE COPIED OR PASSED TO A THIRD PARTY WITHOUT WRITTEN CONSENT FROM ROOFGLAZE LIMITED.	CHECKED	TOLERANCE UNLESS OTHERWISE STATED	MATERIAL				Roofglaze Limited. 30-32, Little End Road, Eaton Socon, St Neots, Cambs, PE19 8JH Telephone 01480 474797, Fax 01480 474774. E-mail technical@roofglaze.co.uk	<b>ROOFGLAZE</b>		QUOTE N°.	DRAWING N°.	REV
	DATE	±1	POLYCARBONATE GLAZING									
	DRAWN	DIMENSIONS IN	uPVC UPSTAND					TITLE: TRIPLE SKIN ECONOLITE MANUAL HINGED VENTILATION ON 150mm uPVC UPSTAND	A1	RG-100-109		
	R. PADDICK	mm	FINISH									
DATE	SCALE	WHITE				REV	AMENDMENTS	SIGNED	CHECKED	DATE		
15-Jan-2010	1/2											