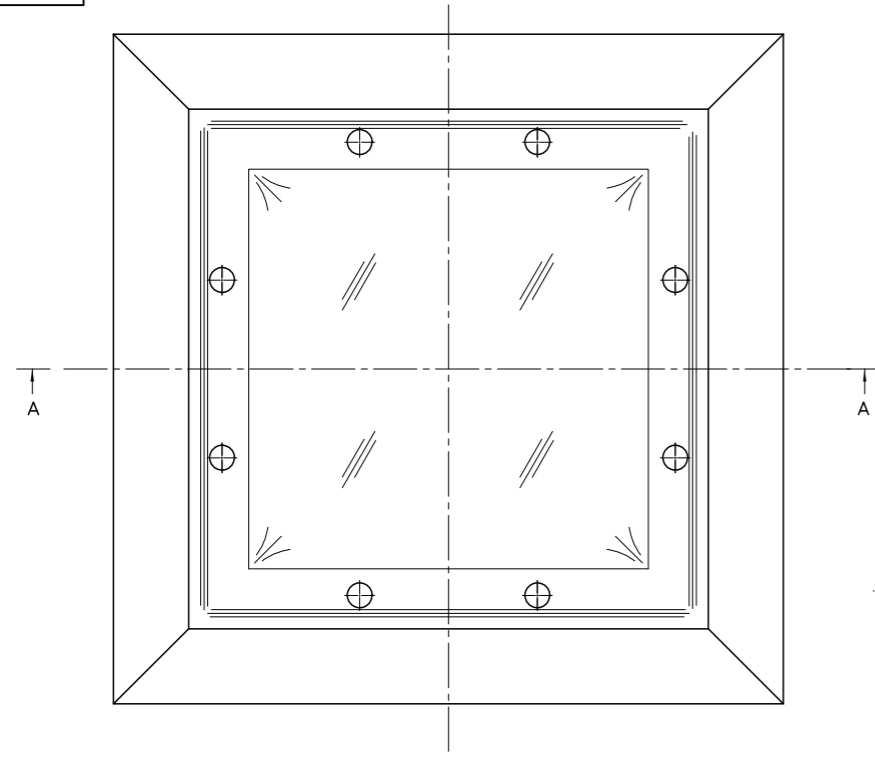
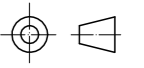
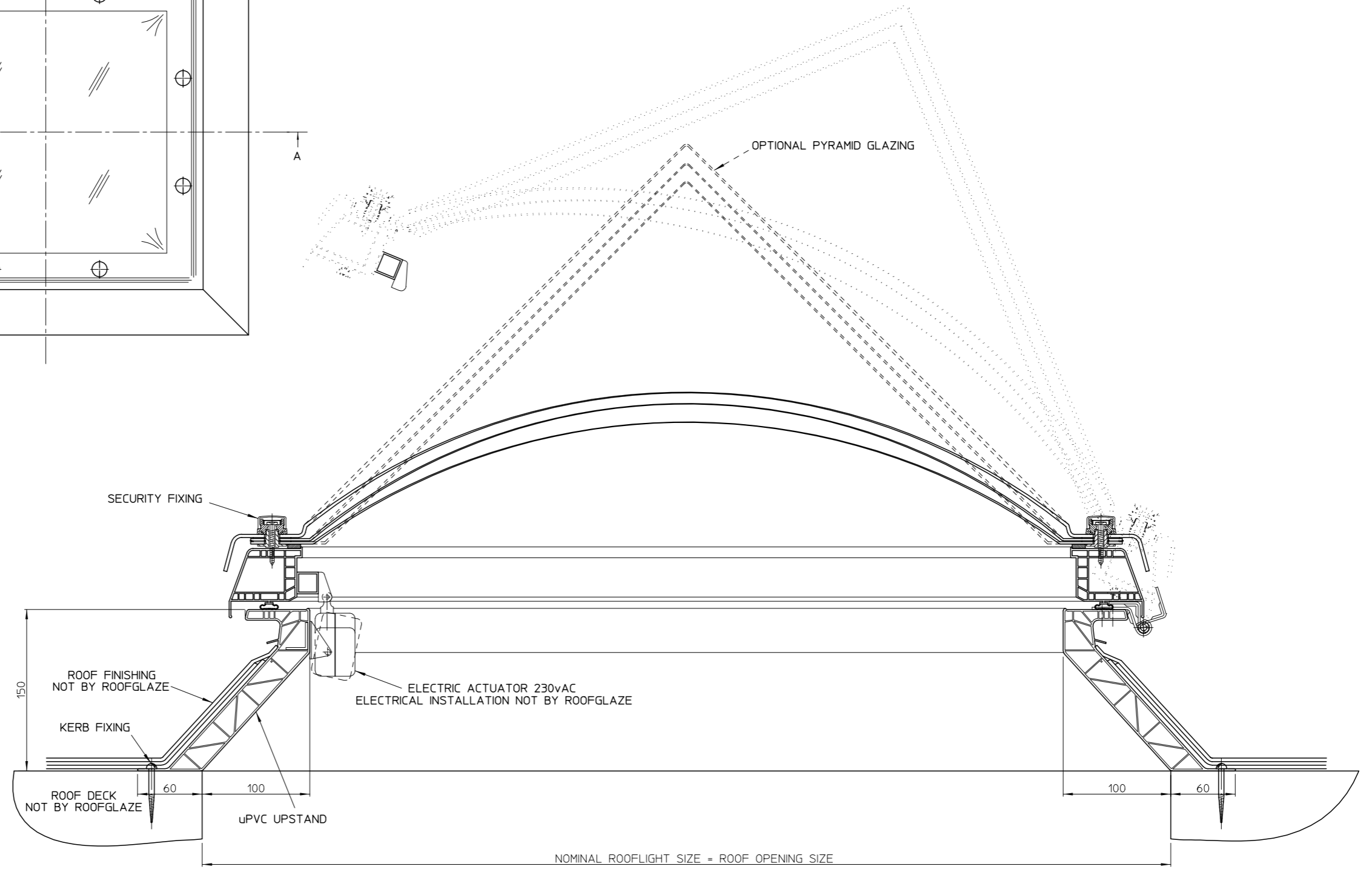


DRAWING N°.  
RG-100-110

IF IN DOUBT ASK DO NOT SCALE



PLAN Scale 1/4



SECTION A-A

0.59	1200 x 900
0.47	1200 x 600
0.66	1200 x 1200
0.58	1050 x 1050
0.49	900 x 900
0.36	750 x 750
0.20	600 x 600
VENTILATION AREA SQ/M	NOMINAL ROOFLIGHT SIZE

THIS DRAWING MUST NOT BE COPIED OR PASSED TO A THIRD PARTY WITHOUT WRITTEN CONSENT FROM ROOFGLAZE LIMITED.	CHECKED	TOLERANCE UNLESS OTHERWISE STATED ±1	MATERIAL POLYCARBONATE GLAZING uPVC UPSTAND					Roofglaze Limited. 30-32, Little End Road, Eaton Socon, St Neots, Cambs, PE19 8JH Telephone 01480 474797, Fax 01480 474774. E-mail technical@roofglaze.co.uk	<b>ROOFGLAZE</b>	QUOTE N°.	DRAWING N°.	REV
	DATE	DIMENSIONS IN	FINISH									
	DRAWN R. PADDICK	mm	WHITE									
	DATE 15-Jan-2010	SCALE 1/2										
				REV	AMENDMENTS	SIGNED	CHECKED	DATE	TITLE: TRIPLE SKIN ECONOLITE ELECTRIC HINGED VENTILATION ON 150mm uPVC UPSTAND	A1	RG-100-110	