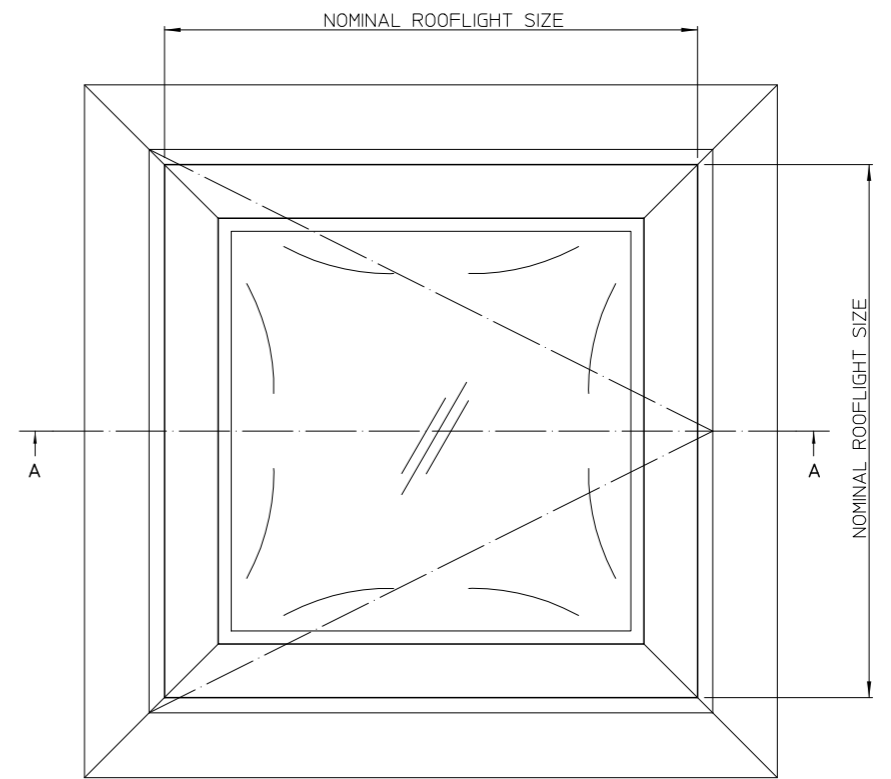
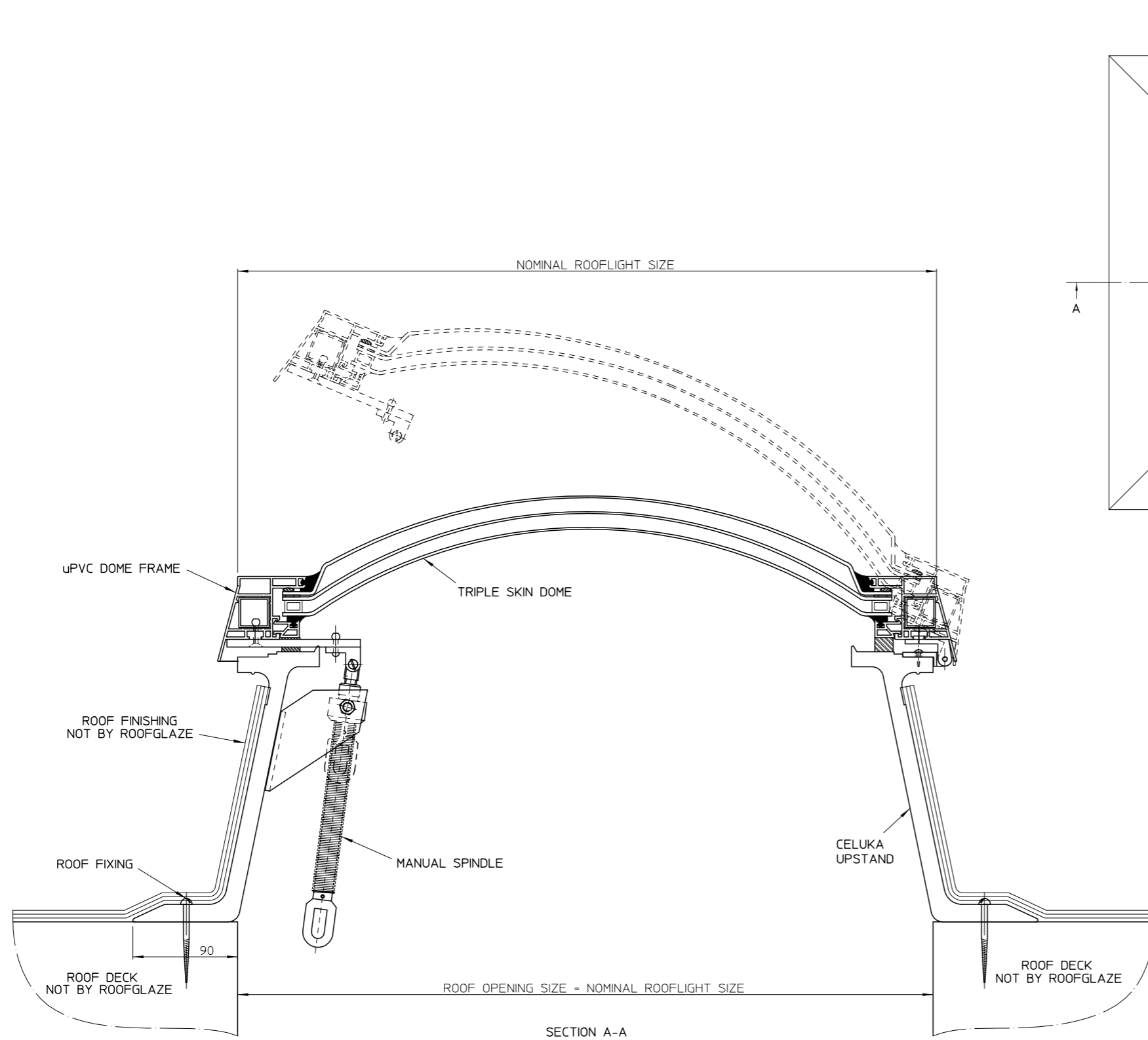
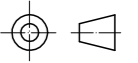


DRAWING N°.  
RG-110-103

IF IN DOUBT ASK DO NOT SCALE



STANDARD SIZES  
FOR FULL RANGE SEE SPEC SHEET

1800 x 1800
1800 x 1200
1500 x 1500
1500 x 1050
1200 x 1200
1200 x 900
1200 x 600
1050 x 1050
900 x 900
900 x 750
900 x 600
750 x 750
600 x 600
NOMINAL ROOFLIGHT SIZE

THIS DRAWING MUST NOT BE COPIED OR PASSED TO A THIRD PARTY WITHOUT WRITTEN CONSENT FROM ROOFGLAZE LIMITED.	CHECKED	TOLERANCE UNLESS OTHERWISE STATED ±1	MATERIAL POLYCARBONATE GLAZING UPVC UPSTAND					Roofglaze Limited. 30-32, Little End Road, Eaton Socon, St Neots, Cambs, PE19 8JH Telephone 01480 474797, Fax 01480 474774. E-mail technical@roofglaze.co.uk	<b>ROOFGLAZE</b>	QUOTE N°.	DRAWING N°.	REV
	DATE	DIMENSIONS IN	FINISH							A1	RG-110-103	
	DRAWN R. PADDICK	mm	WHITE									
	DATE 3-Sep-2010	SCALE 1:2 @ A1										
				REV	AMENDMENTS	SIGNED	CHECKED	DATE	TITLE: THERMALITE MANUAL HINGED ON 237mm UPVC UPSTAND			