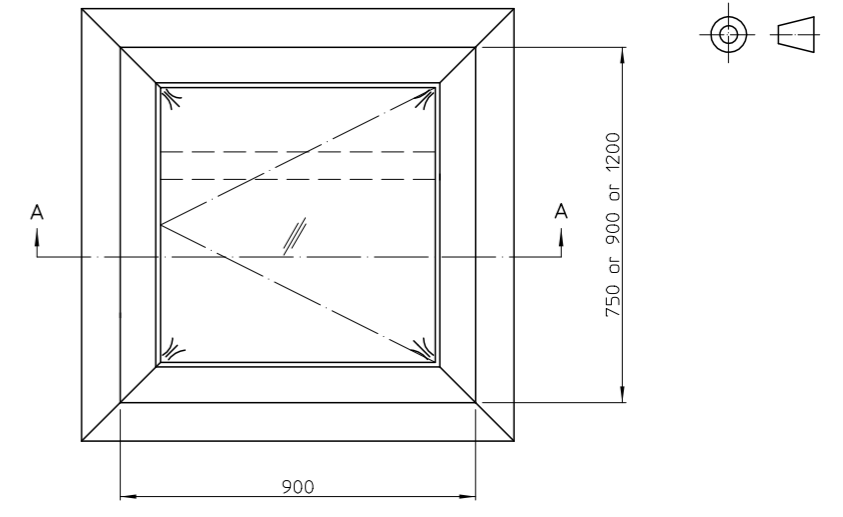
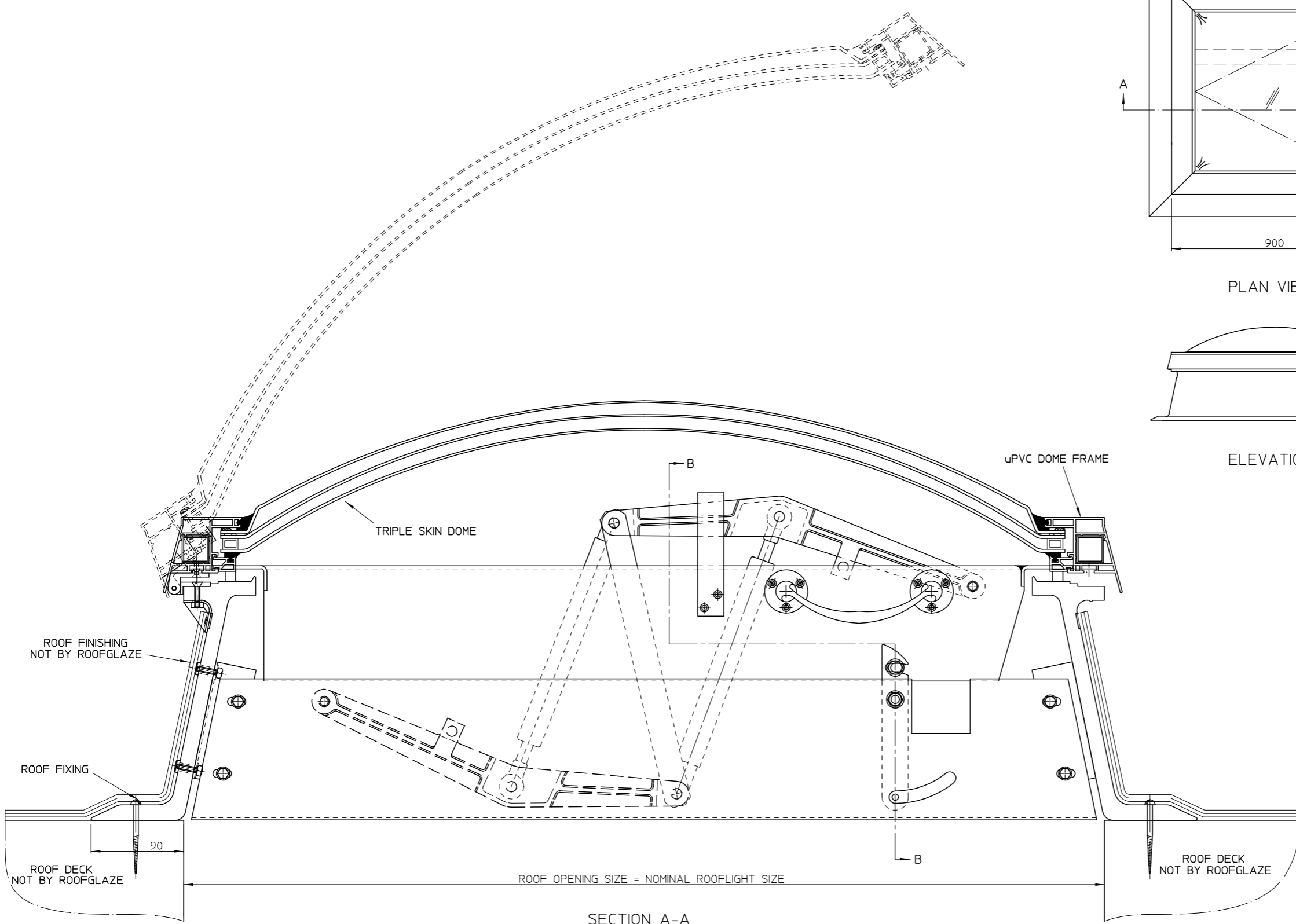
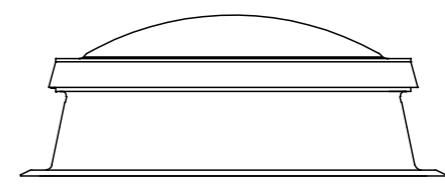


DRAWING N°.
RG-110-105

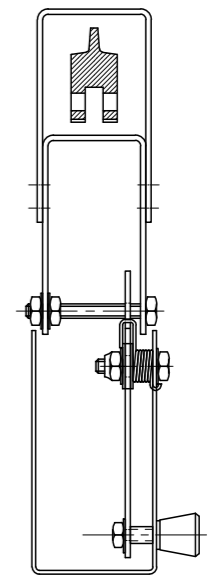
IF IN DOUBT ASK DO NOT SCALE



PLAN VIEW



ELEVATION



SCRAP SECTION B-B

1200 x 900
900 x 900
750 x 900
ROOFLIGHT SIZE

THIS DRAWING MUST NOT BE COPIED OR PASSED TO A THIRD PARTY WITHOUT WRITTEN CONSENT FROM ROOFGLAZE LIMITED.	CHECKED	TOLERANCE UNLESS OTHERWISE STATED	MATERIAL	Roofglaze Limited. 30-32, Little End Road, Eaton Socon, St Neots, Cambs, PE19 8JH Telephone 01480 474797, Fax 01480 474774. E-mail technical@roofglaze.co.uk	ROOFGLAZE TITLE: TRIPLE SKIN THERMALITE ACCESS HATCH QUOTE N°: A1 DRAWING N°: RG-110-105 REV
	DATE	±1	POLYCARBONATE GLAZING		
	DRAWN	DIMENSIONS IN	uPVC UPSTAND		
	R. PADDICK	mm	FINISH		
DATE	SCALE	1:2 @ A1	WHITE	REV	AMENDMENTS