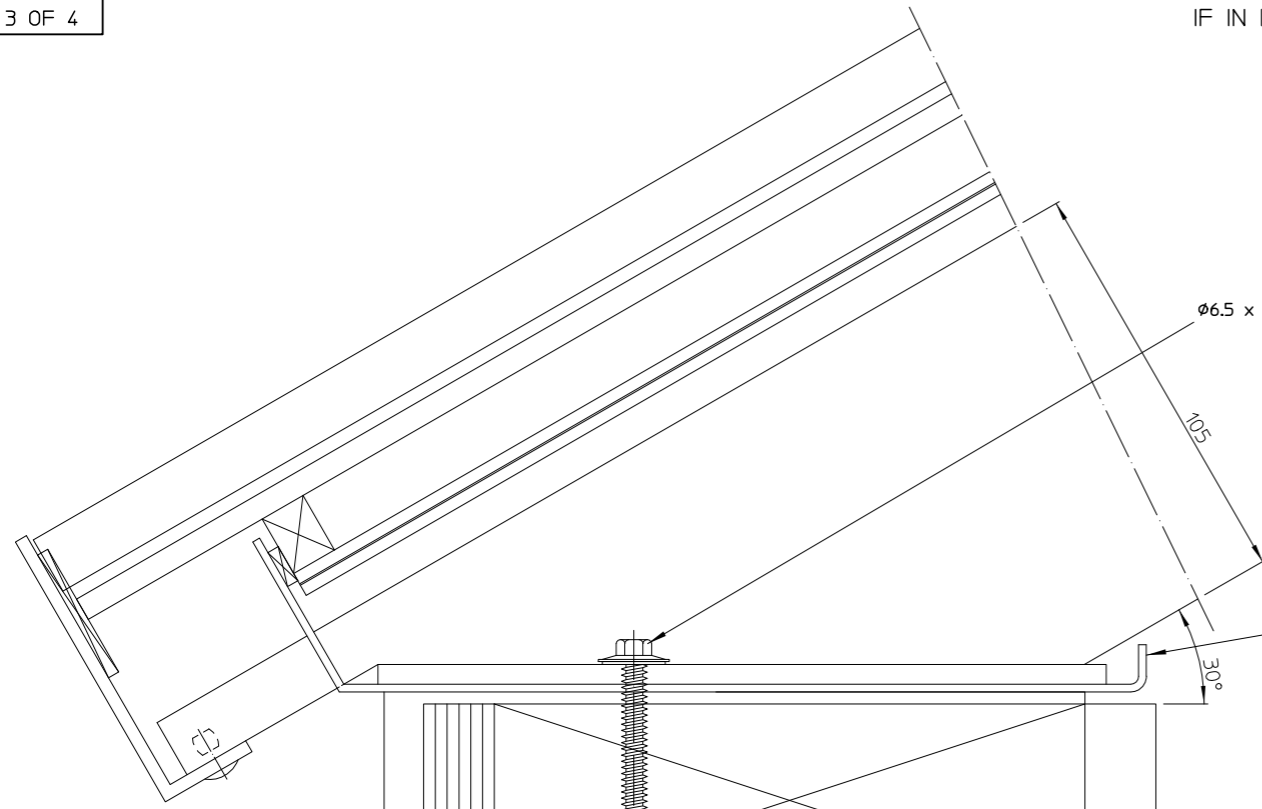
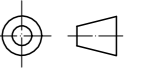


IF IN DOUBT ASK DO NOT SCALE



Ø6.5 x 50 ST. STL. WOOD SCREW

105

ALUMINIUM KERB ADAPTOR
BEDDED ON EXPANDING TAPE

30

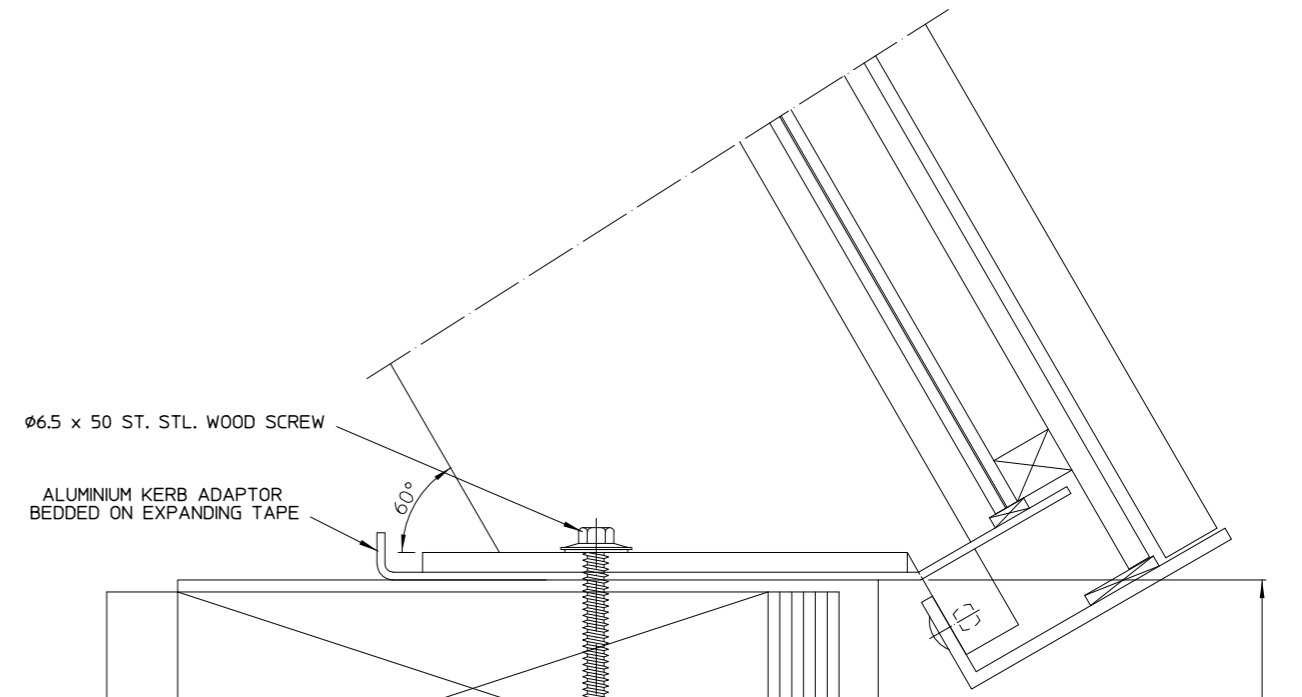
TIMBER KERB
NOT BY ROOFGLAZE

TYPICAL KERB DETAIL

ROOF FINISHING
NOT BY ROOFGLAZE

10 18 150 18

SECTION B-B



Ø6.5 x 50 ST. STL. WOOD SCREW

ALUMINIUM KERB ADAPTOR
BEDDED ON EXPANDING TAPE

60°

TIMBER KERB
NOT BY ROOFGLAZE

TYPICAL KERB DETAIL

ROOF FINISHING
NOT BY ROOFGLAZE

150

18 150 18 10

SECTION C-C

OVERALL KERB SPAN, INCLUDING ROOF FINISHING

SPAN RANGE 3500 TO 4200

THIS DRAWING MUST NOT BE COPIED OR PASSED TO A THIRD PARTY WITHOUT WRITTEN CONSENT FROM ROOFGLAZE LIMITED.	CHECKED	TOLERANCE UNLESS OTHERWISE STATED	MATERIAL	Roofglaze Limited, 30-32 Little End Road, Eaton Socon, St Neots, Cambs, PE19 8JH Telephone 01480 474797. Fax 01480 474774. E-mail technical@roofglaze.co.uk	ROOFGLAZE	
	DATE	0.3	ALUMINIUM GLASS			
	DRAWN	DIMENSIONS IN	FINISH			
	R. PADDICK	MM	POLYESTER POWDER COATING	TITLE:	RG-120 NORTHLIGHT KERB SECTION VIEWS	
	DATE	SCALE		QUOTE NO.	A1	
	17-Mar-2011	1:1 @ A1		DRAWING NO.	RG-120-40	
				SHEET 3 OF 4		
			REV	SIGNED	CHECKED	DATE