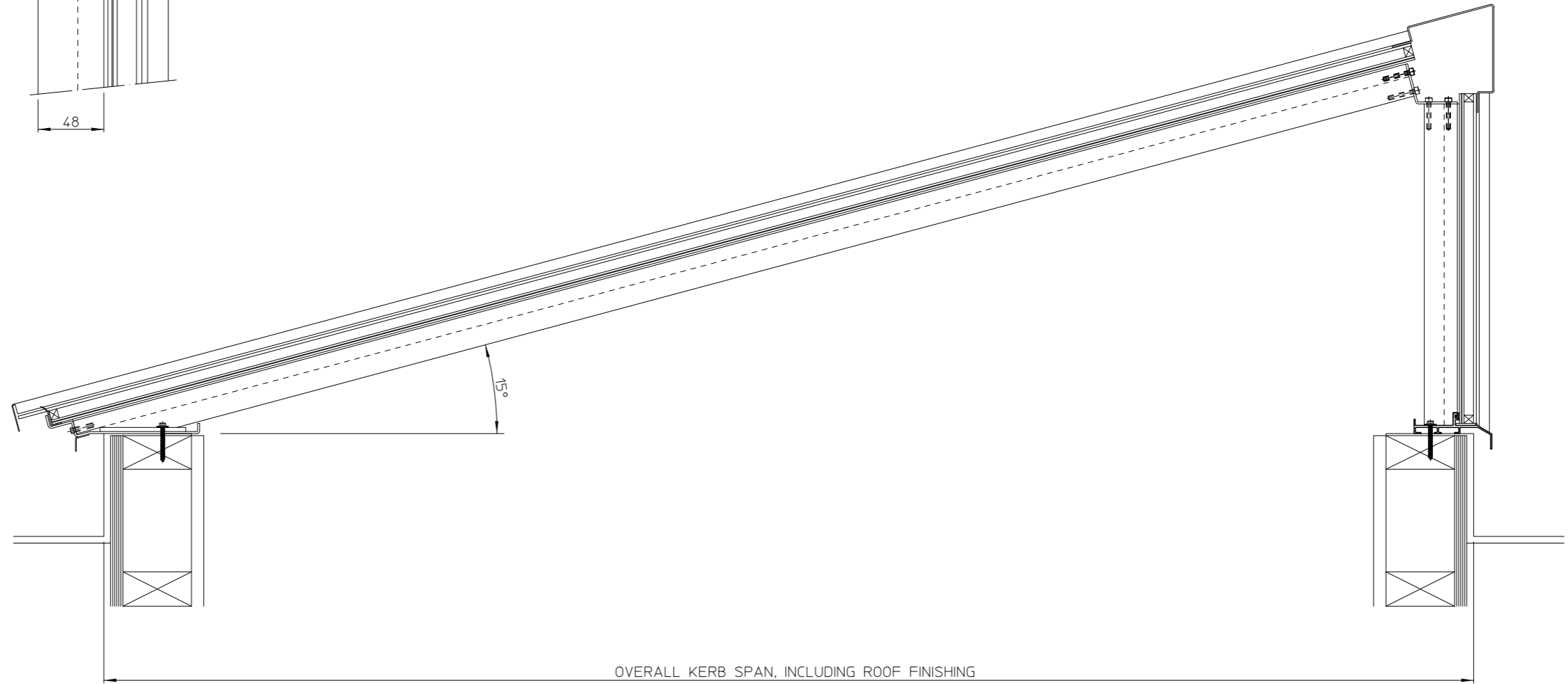


SECTION D-D



SECTION A-A

SPAN RANGE 1200 TO 2200

|  |            |                                   |                          |  |                  |
|--|------------|-----------------------------------|--------------------------|--|------------------|
| THIS DRAWING MUST NOT BE COPIED OR PASSED TO A THIRD PARTY WITHOUT WRITTEN CONSENT FROM ROOFGLAZE LIMITED. | CHECKED    | TOLERANCE UNLESS OTHERWISE STATED | MATERIAL                 | Roofglaze Limited,<br>Unit 4, Little End Road, Eaton Socon, St Neots, Cambs, PE19 8JH<br>Telephone 01480 474797, Fax 01480 474774,<br>E-mail technical@roofglaze.co.uk | <b>ROOFGLAZE</b> |
|  | DATE       | 0.3                               | ALUMINIUM GLASS          |  |                  |
|  | DRAWN      | DIMENSIONS IN                     | FINISH                   |  |                  |
|  | R. PADDICK | MM                                | POLYESTER POWDER COATING | TITLE:   | QUOTE N°:        |
|  | 4-Apr-2011 | SCALE 1:4 @ A1<br>1:2 @ A1        |                          | RG-120 NORTHLIGHT FULL SPAN SECTION VIEW   | A1               |
|  |            |                                   |                          |  | DRAWING N°:      |
|  |            |                                   |                          |  | RG-120-50        |
|  |            |                                   |                          |  | SHEET 2 OF 4     |
|  |            |                                   |                          | REV  |                  |