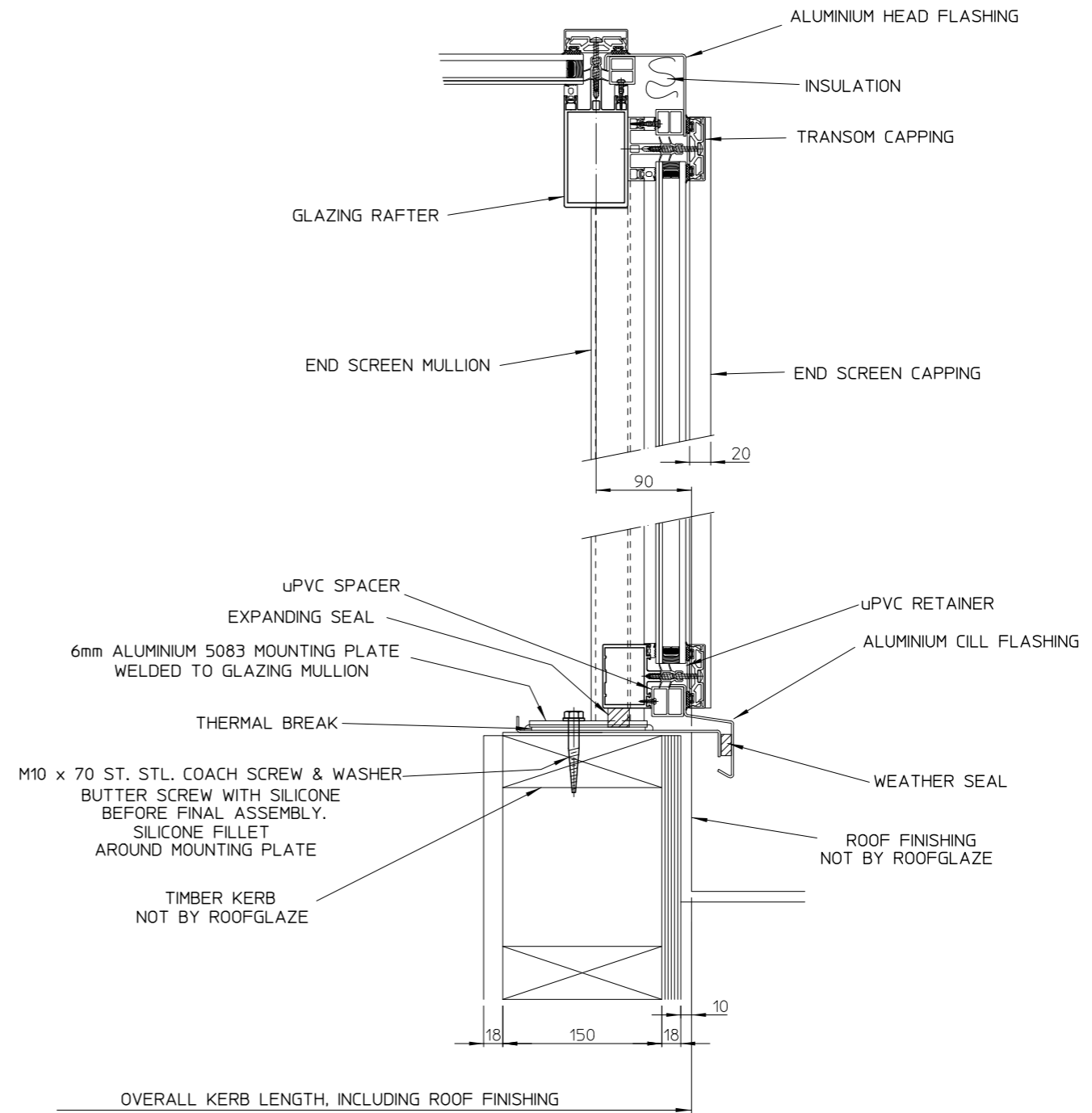


SECTION D-D



SECTION E-E

SPAN RANGE 3500 TO 4200

THIS DRAWING MUST NOT BE COPIED OR PASSED TO A THIRD PARTY WITHOUT WRITTEN CONSENT FROM ROOFGLAZE LIMITED.	CHECKED	TOLERANCE UNLESS OTHERWISE STATED	MATERIAL	Roofglaze Limited, 30-32, Little End Road, Eaton Socon, St Neots, Cambs, PE19 8JH Telephone 01480 474797. Fax 01480 474774. E-mail technical@roofglaze.co.uk			ROOFGLAZE	QUOTE N°	DRAWING N°	REV	
	DATE	0.3	ALUMINIUM GLASS	TITLE:	RG-120 NORTHLIGHT KERB SECTION VIEWS	A1					RG-120-80 SHEET 3 OF 3
	DRAWN	DIMENSIONS IN	FINISH	REV							
R. PADDICK	MM	POLYESTER POWDER COATING	SCALE	1:1 @ A1							
DATE	4-Apr-2011										