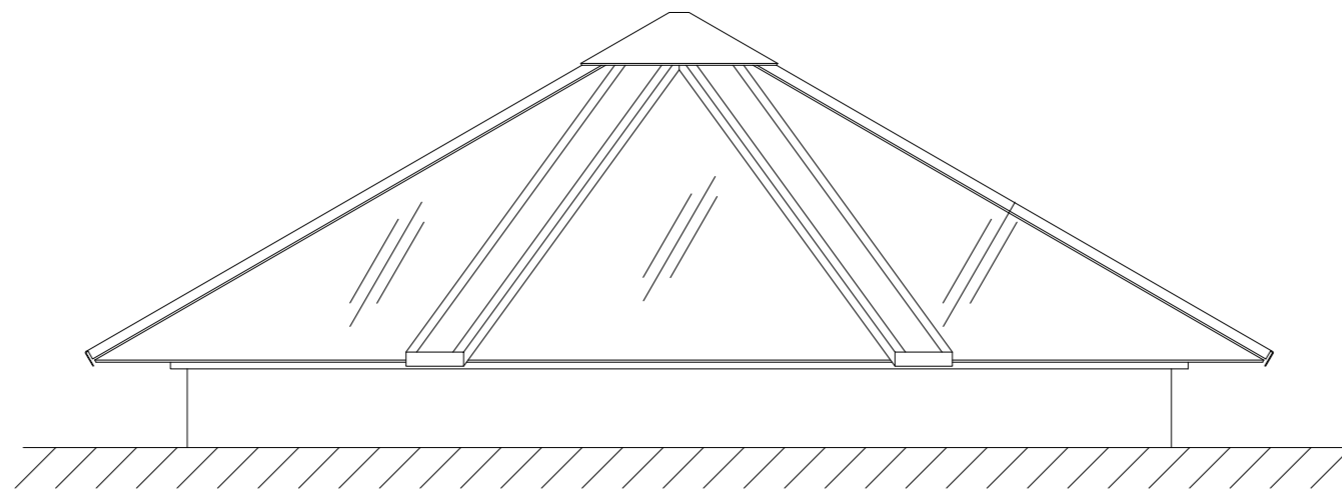


PLAN VIEW



ELEVATION

GLAZING SPECIFICATION:  
 OUTER SKIN: 4mm CLEAR TOUGHENED GLASS  
 CAVITY: 16mm ARGON FILLED  
 INNER SKIN: 6.8mm CLEAR LAMINATED GLASS  
 WITH LOW-E COATING

DESIGN LOAD 750 N/m<sup>2</sup>

THIS DRAWING MUST NOT BE COPIED OR PASSED TO A THIRD PARTY WITHOUT WRITTEN CONSENT FROM ROOFGLAZE LIMITED.	CHECKED	TOLERANCE UNLESS OTHERWISE STATED	MATERIAL	Roofglaze Limited, 30-32 Little End Road, Eaton Socon, St Neots, Cambs, PE19 8JH Telephone 01480 474797. Fax 01480 474774. E-mail technical@roofglaze.co.uk				<b>ROOFGLAZE</b>
	DATE	±3	ALUMINIUM GLASS	QUOTE N°.	DRAWING N°.	REV		
	DRAWN	DIMENSIONS IN	FINISH	REV	AMENDMENTS	SIGNED	CHECKED	
	R. PADDICK	MM	POLYESTER POWDER COATING	TITLE: RG-140 OCTAGON SPAN RANGE 1200 TO 1800				A1
	DATE	SCALE	1:6 @ A1					16-May-2011
								REV