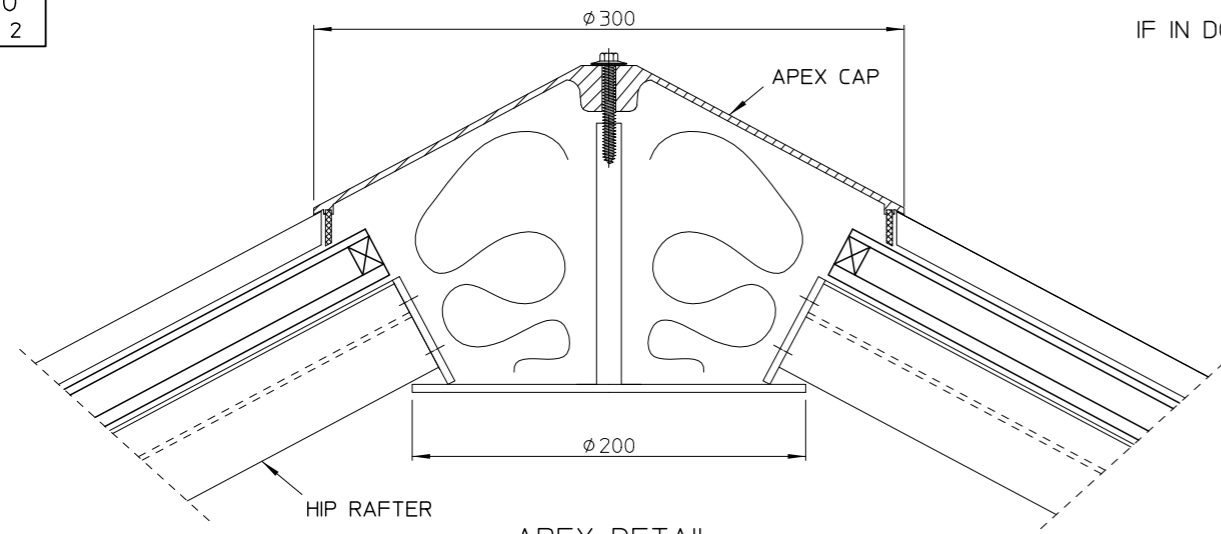
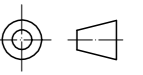
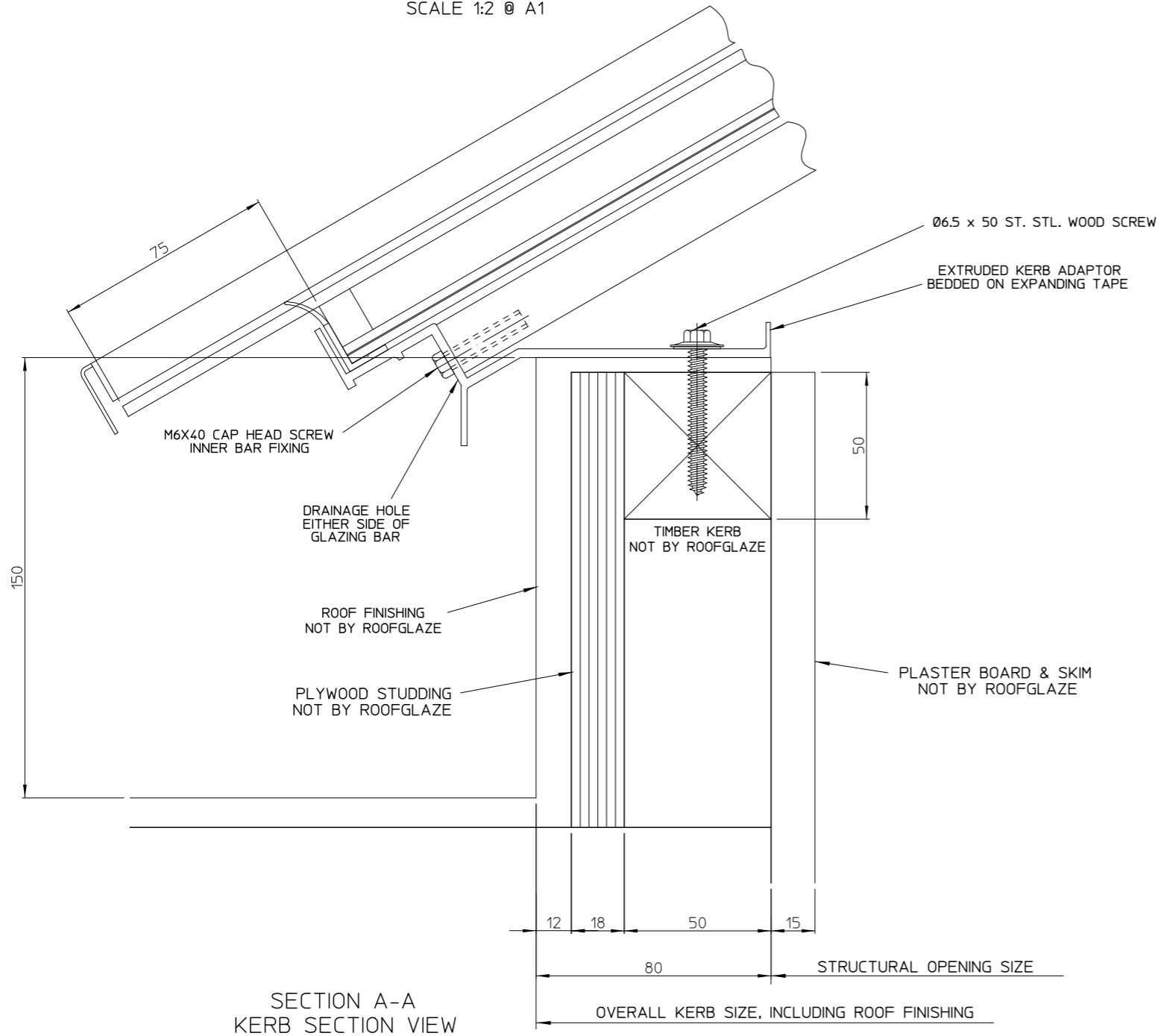


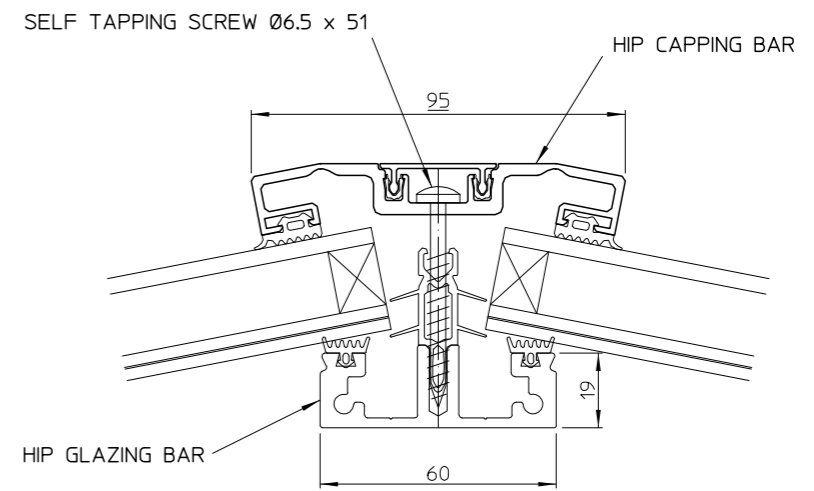
IF IN DOUBT ASK DO NOT SCALE



APEX DETAIL
SCALE 1:2 @ A1



SECTION A-A
KERB SECTION VIEW



SECTION B-B
HIP RAFTER SECTION VIEW

THIS DRAWING MUST NOT BE COPIED OR PASSED TO A THIRD PARTY WITHOUT WRITTEN CONSENT FROM ROOFGLAZE LIMITED.	CHECKED	TOLERANCE UNLESS OTHERWISE STATED	MATERIAL	Roofglaze Limited, Unit 4, Little End Road, Eaton Socon, St Neots, Cambs, PE19 8JH Telephone 01480 474797. Fax 01480 474774. E-mail technical@roofglaze.co.uk	ROOFGLAZE
	DATE	±3	ALUMINIUM GLASS		
	DRAWN	DIMENSIONS IN	FINISH		
	R. PADDICK	MM	POLYESTER POWDER COATING	TITLE:	RG-140 OCTAGON
	16-May-2011	SCALE	1:1 @ A1	QUOTE N°:	RG-140-10
				DRAWING N°:	RG-140-10
				SHEET 2 OF 2	
				REV	
				AMENDMENTS	
				SIGNED	
				CHECKED	
				DATE	