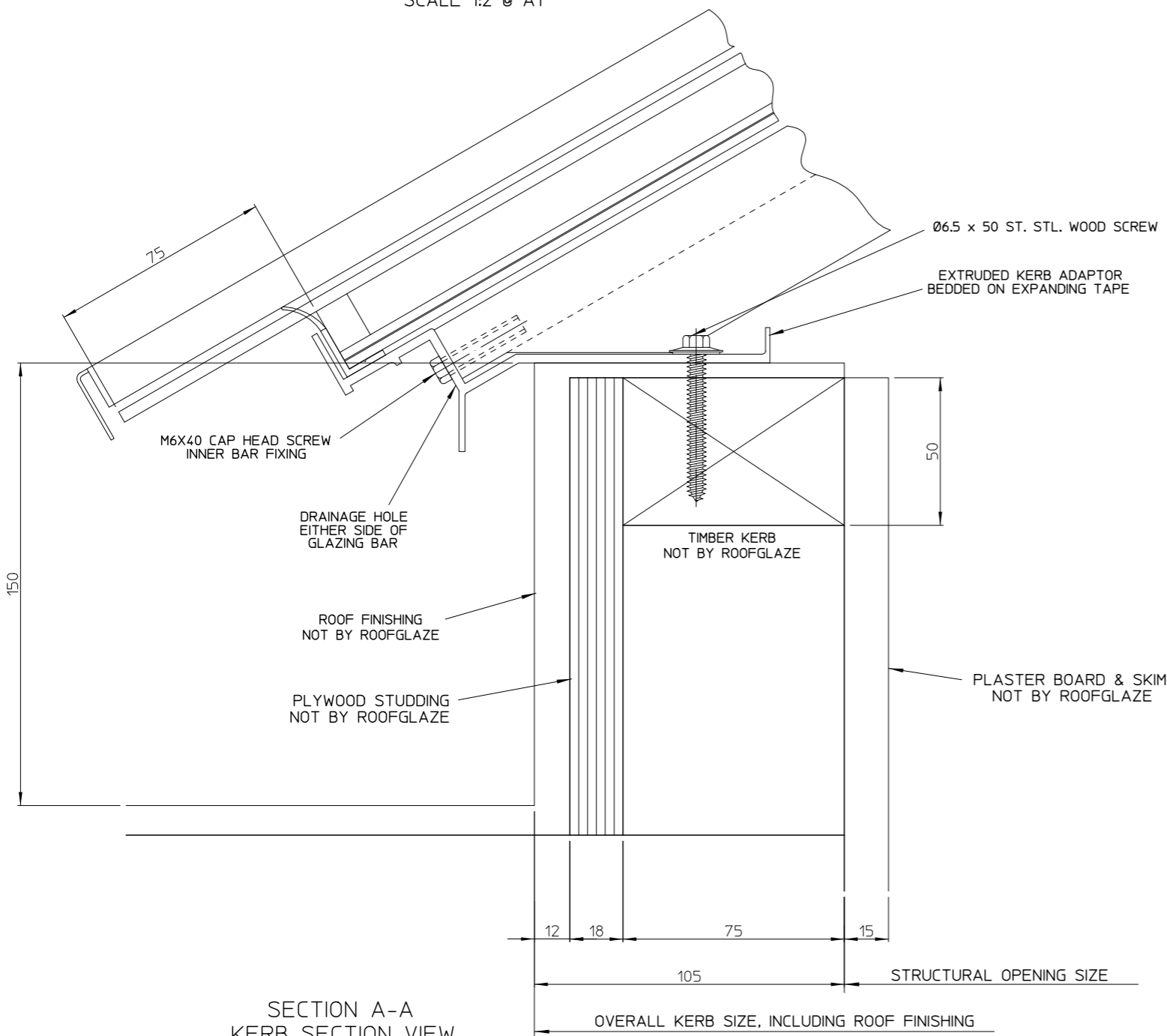
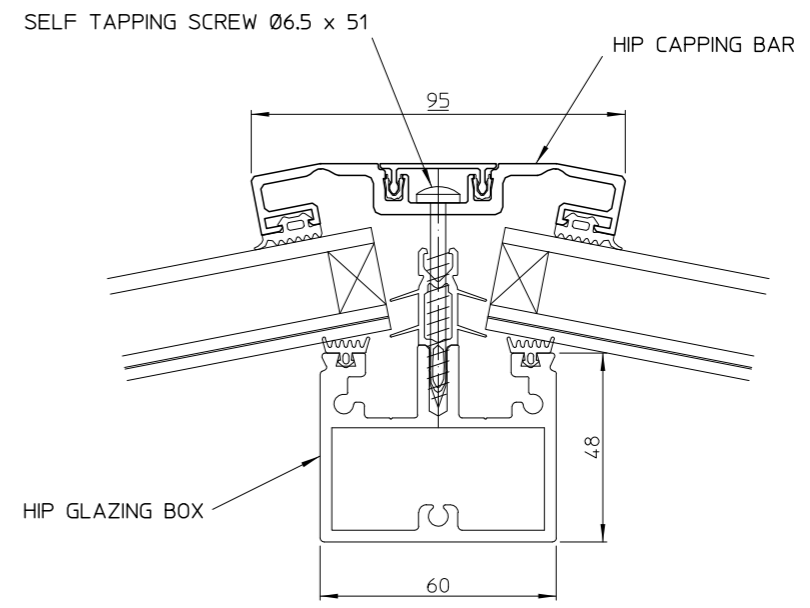


APEX DETAIL
SCALE 1:2 @ A1



SECTION A-A
KERB SECTION VIEW



SECTION B-B
HIP RAFTER SECTION VIEW

THIS DRAWING MUST NOT BE COPIED OR PASSED TO A THIRD PARTY WITHOUT WRITTEN CONSENT FROM ROOFGLAZE LIMITED.	CHECKED	TOLERANCE UNLESS OTHERWISE STATED	±3	MATERIAL	ALUMINIUM GLASS	Roofglaze Limited, Unit 4, Little End Road, Eaton Socon, St Neots, Cambs, PE19 8JH Telephone 01480 474797. Fax 01480 474774. E-mail technical@roofglaze.co.uk	ROOFGLAZE	QUOTE N°	DRAWING N°	REV
	DATE	DIMENSIONS IN	MM	FINISH	POLYESTER POWDER COATING					
	DRAWN R. PADDICK	SCALE	1:1 @ A1							
DATE	16-May-2011					TITLE:	RG-140 OCTAGON SPAN RANGE 1800 TO 2300	A1	RG-140-20 SHEET 2 OF 2	
				REV	AMENDMENTS	SIGNED	CHECKED	DATE		