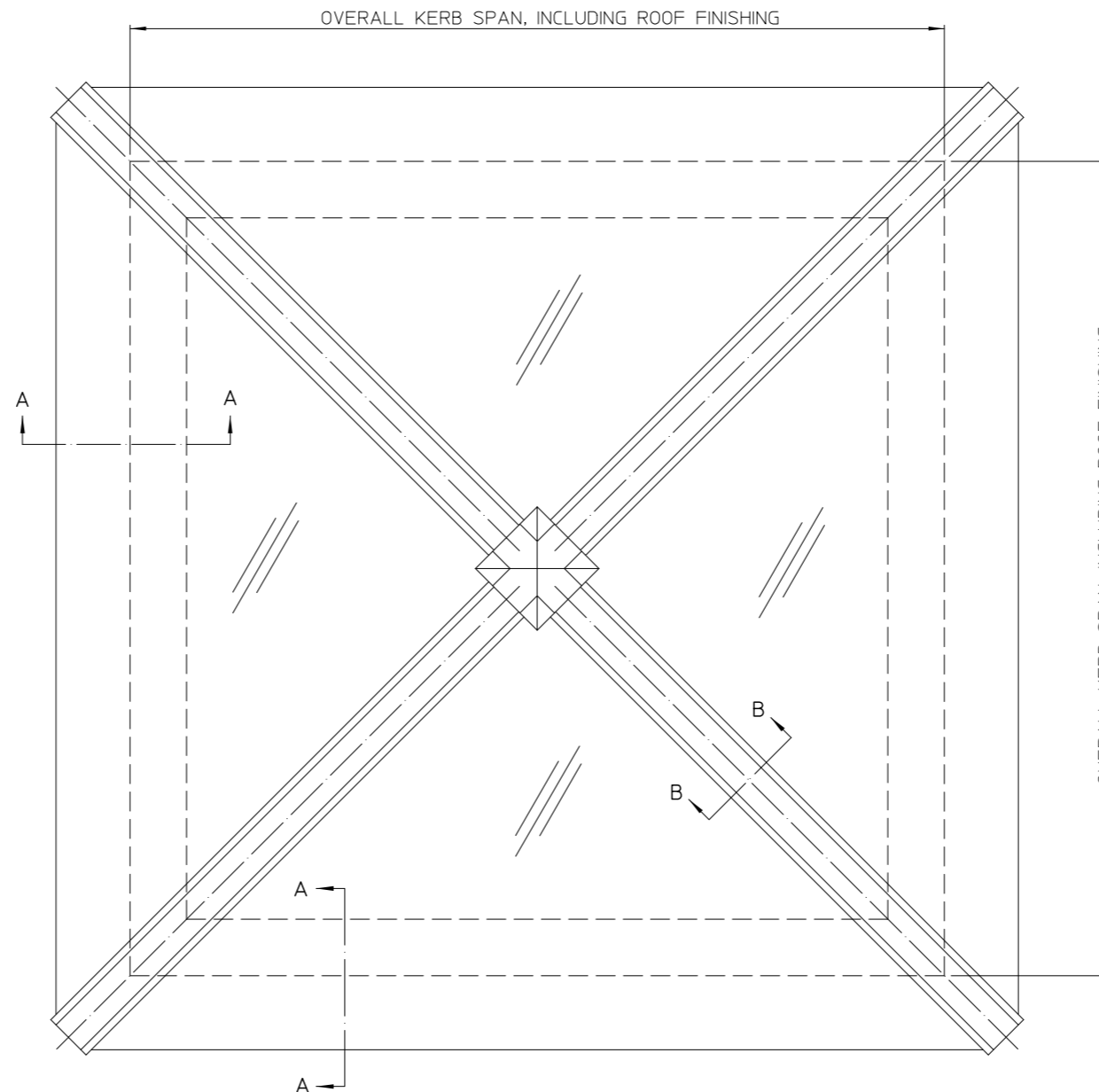
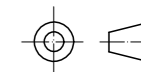
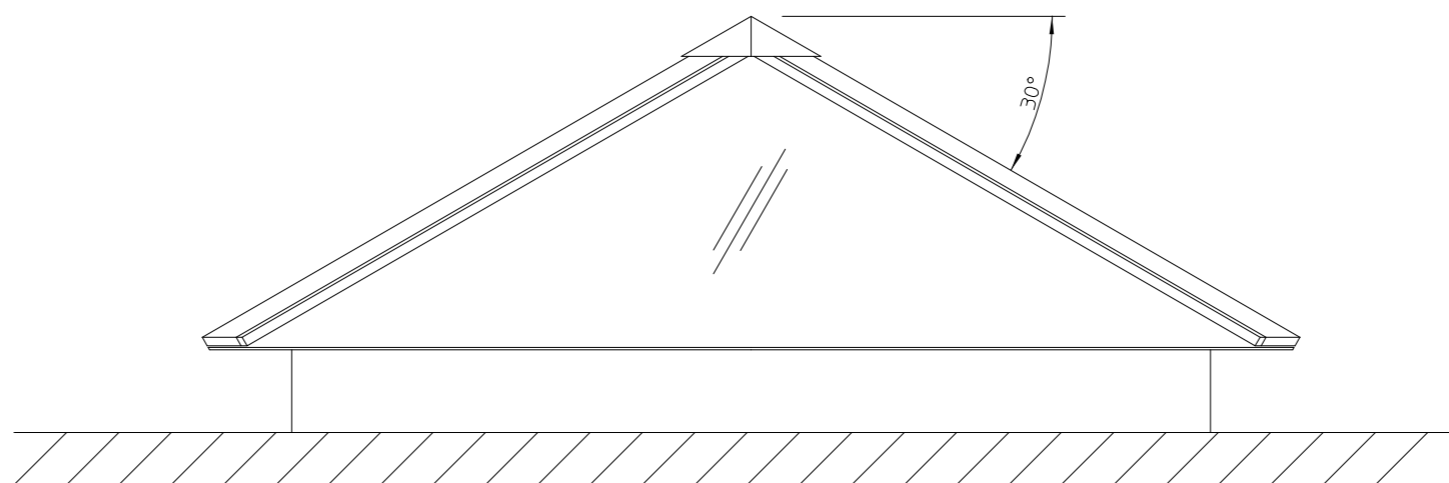


IF IN DOUBT ASK DO NOT SCALE



PLAN VIEW



SIDE ELEVATION

GLAZING SPECIFICATION:
 OUTER SKIN: 4mm CLEAR TOUGHENED GLASS
 CAVITY: 16mm ARGON FILLED
 INNER SKIN: 6.4mm CLEAR LAMINATED GLASS
 WITH LOW-E COATING

DESIGN LOAD 750 N/m²

THIS DRAWING MUST NOT BE COPIED OR PASSED TO A THIRD PARTY WITHOUT WRITTEN CONSENT FROM ROOFGLAZE LIMITED.	CHECKED	TOLERANCE UNLESS OTHERWISE STATED ±3	MATERIAL ALUMINIUM GLASS	Roofglaze Limited, Unit 4, Little End Road, Eaton Socon, St Neots, Cambs, PE19 8JH Telephone 01480 474797. Fax 01480 474774. E-mail technical@roofglaze.co.uk			ROOFGLAZE		
	DATE	DIMENSIONS IN MM	FINISH POLYESTER POWDER COATING	TITLE: RG-40 PYRAMID	QUOTE N°:	DRAWING N°:			
	DRAWN R. PADDICK	SCALE 1:6 @ A1		SPAN RANGE 600 TO 1500	A1	RG-40-10			
DATE 13-Feb-2009				REV	AMENDMENTS	SIGNED	CHECKED	DATE	SHEET 1 OF 2