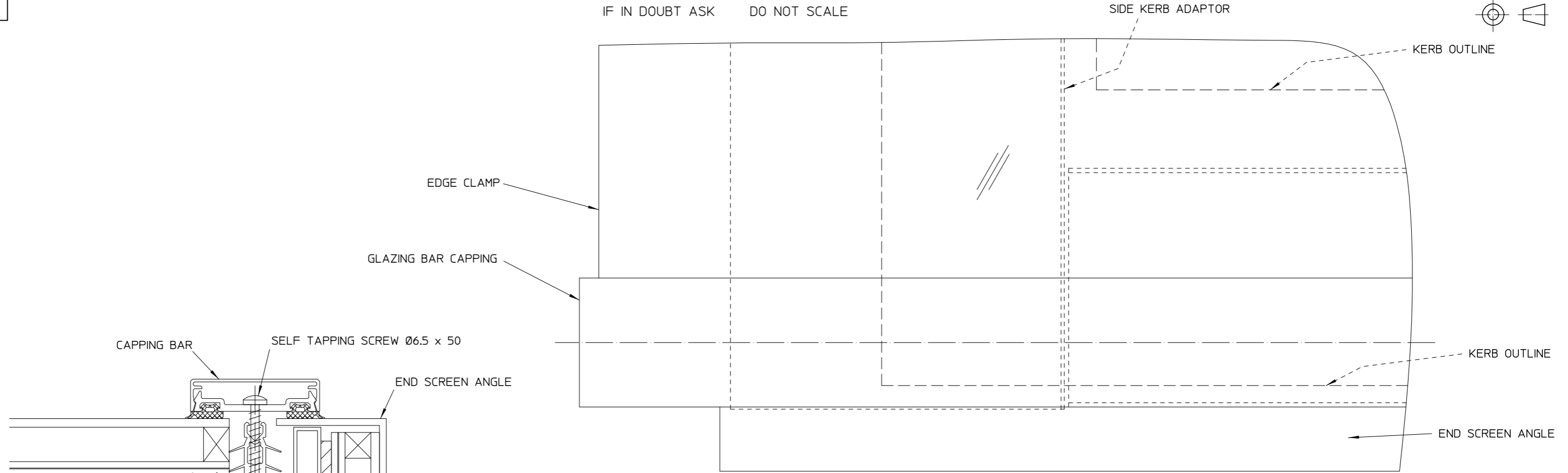
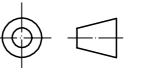
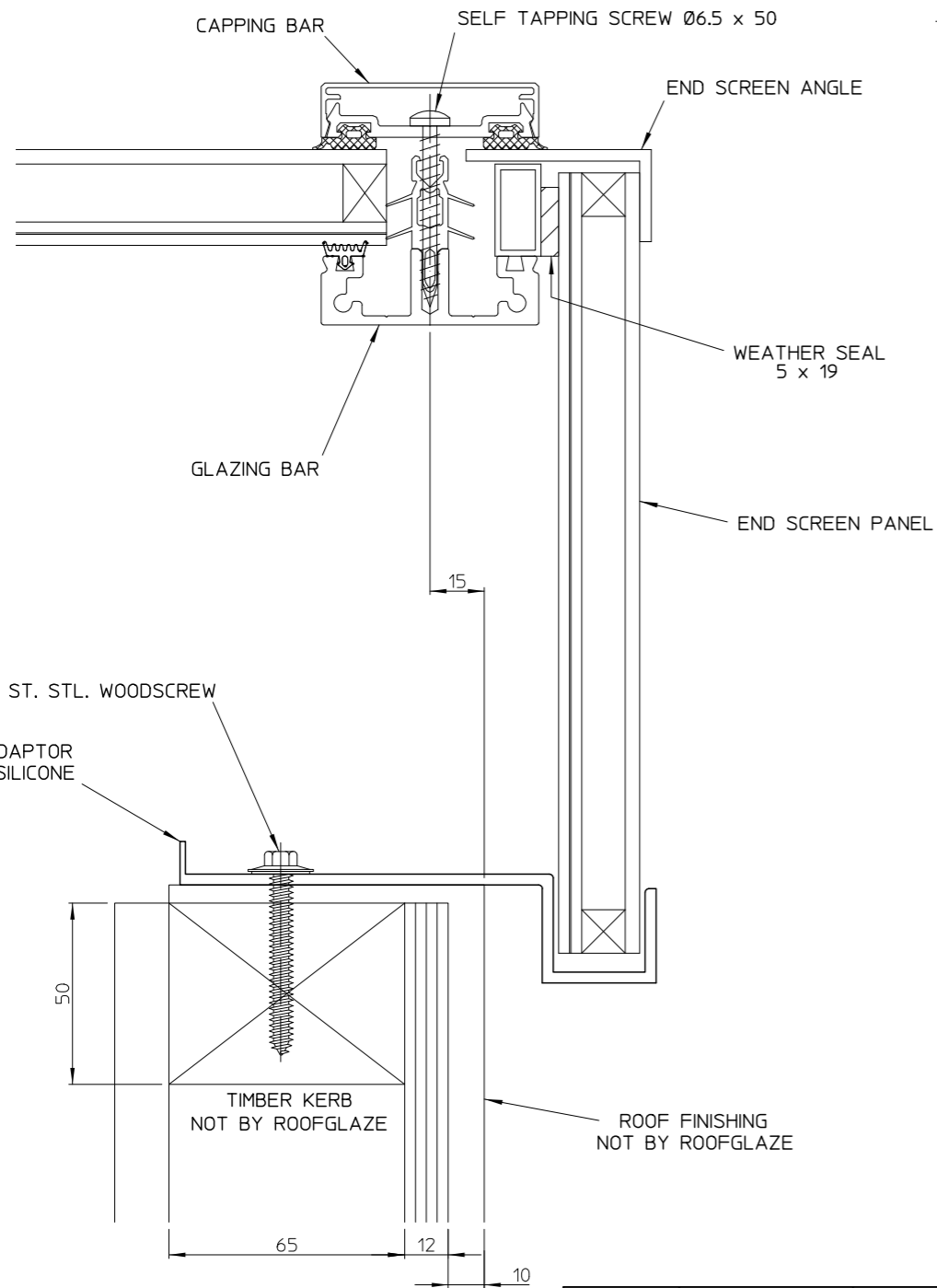


IF IN DOUBT ASK DO NOT SCALE

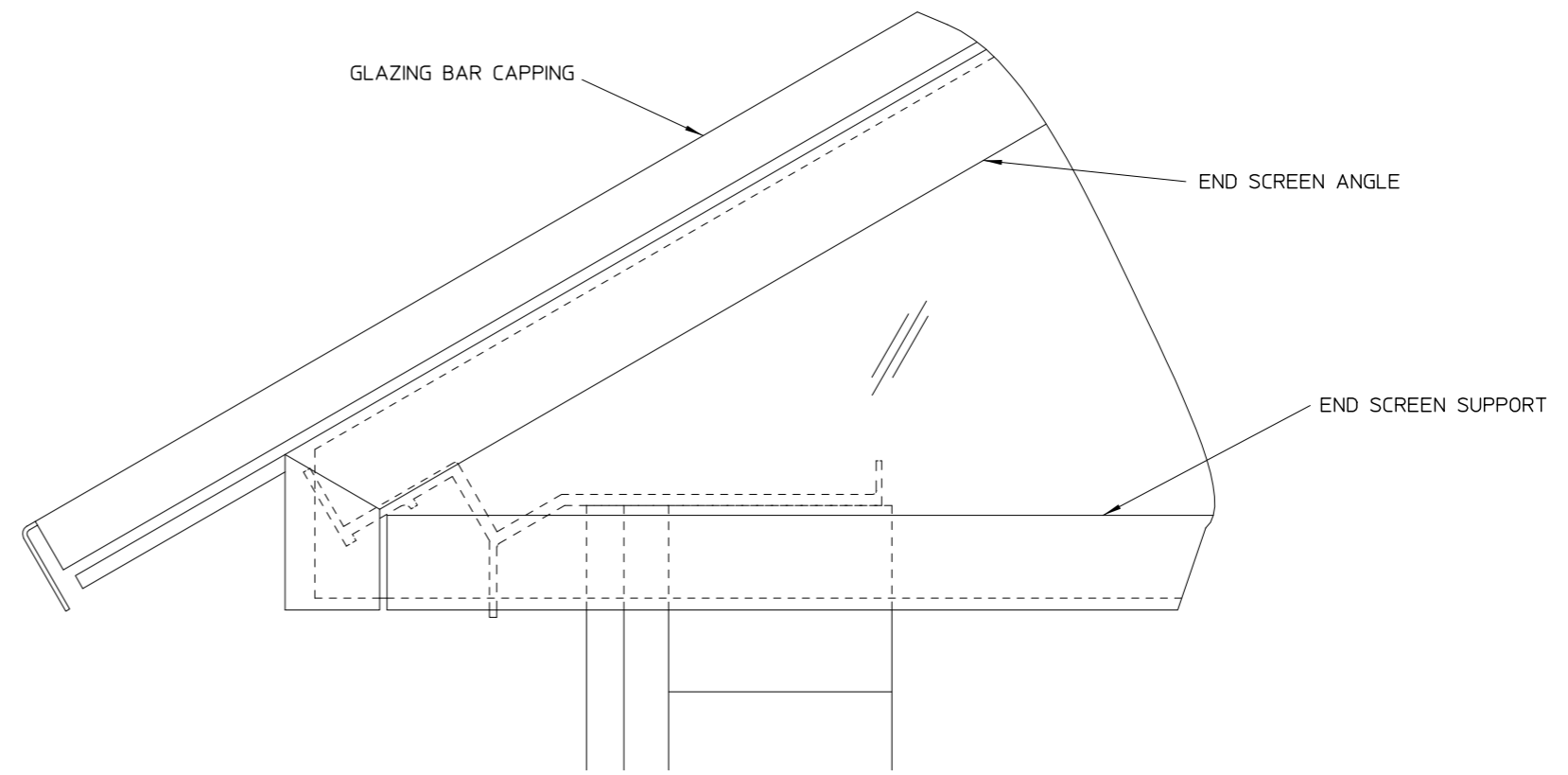
SIDE KERB ADAPTOR



PLAN OF CORNER DETAIL



SECTION E-E



CORNER DETAIL

SPAN RANGE 600 TO 1750

OVERALL KERB LENGTH, INCLUDING ROOF FINISHING

| | | | | | | | | |
|--|-------------|-----------------------------------|--------------------------|--|----------------------------|-----------|--------------|------|
| THIS DRAWING MUST NOT BE COPIED OR PASSED TO A THIRD PARTY WITHOUT WRITTEN CONSENT FROM ROOFGLAZE LIMITED. | CHECKED | TOLERANCE UNLESS OTHERWISE STATED | MATERIAL | Roofglaze Limited, Unit 4, Little End Road, Eaton Sucon, St Neots, Cambs, PE19 8JH Telephone 01480 474797. Fax 01480 474774. E-mail technical@roofglaze.co.uk | | | | |
| | DATE | ±3 | ALUMINIUM GLASS | ROOFGLAZE | | | | |
| | DRAWN | DIMENSIONS IN | FINISH | | | | | |
| | R. PADDICK | MM | POLYESTER POWDER COATING | TITLE: | RG-50 RIDGELIGHT GABLE END | QUOTE NO. | RG-50-10 | REV |
| | 13-Feb-2009 | SCALE | 1:1 @ A1 | | | | SHEET 4 OF 4 | |
| | | | | REV | AMENDMENTS | SIGNED | CHECKED | DATE |