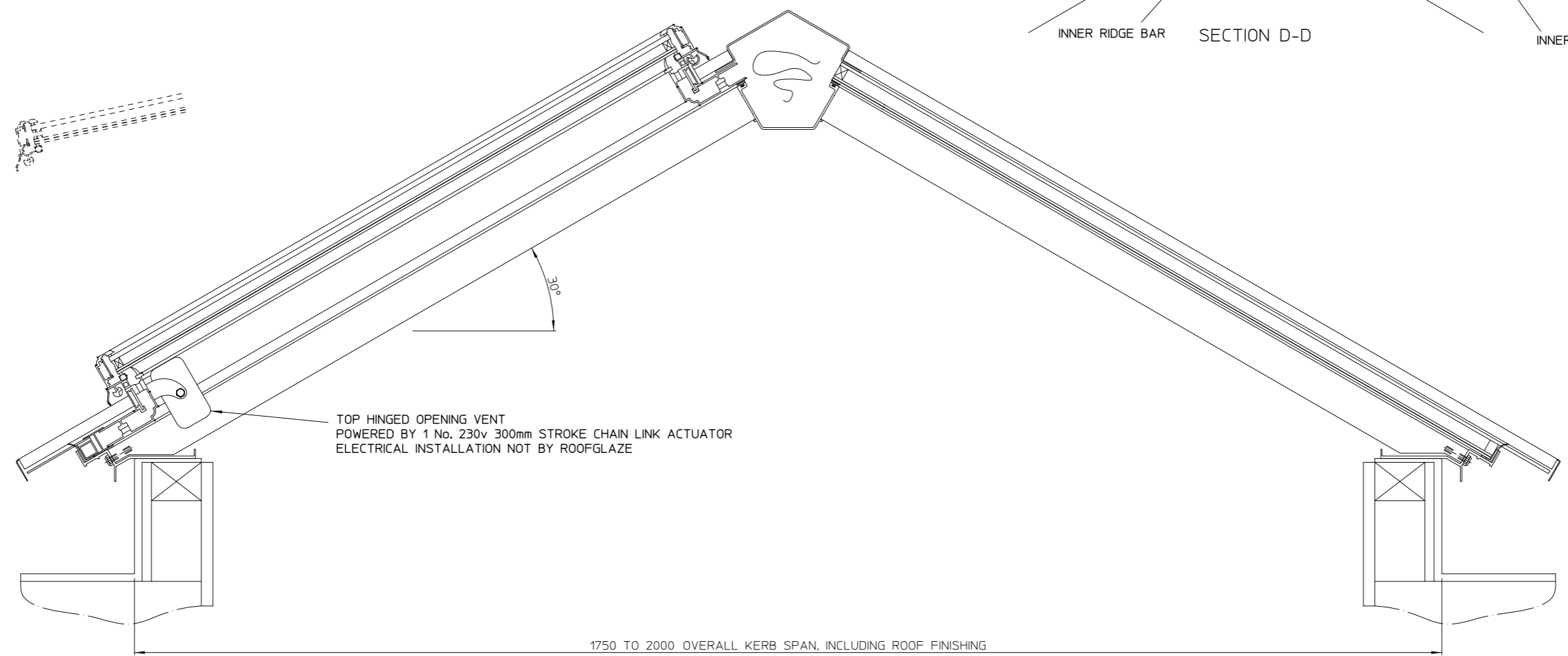
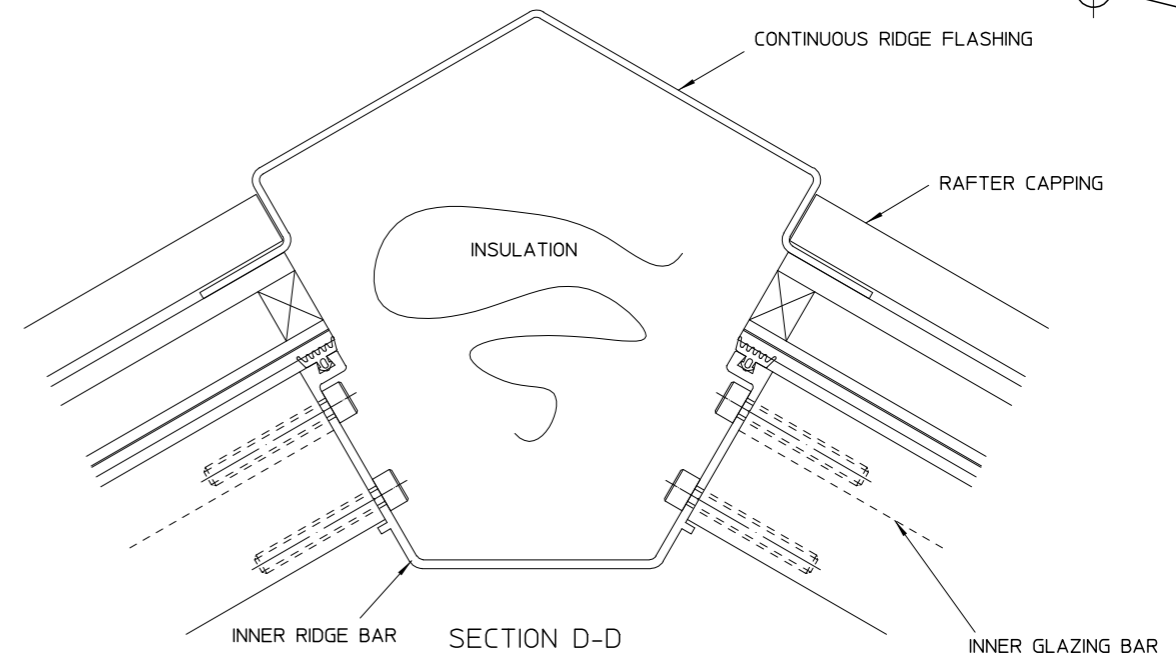
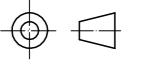


IF IN DOUBT ASK DO NOT SCALE



TOP HINGED OPENING VENT
 POWERED BY 1 No. 230v 300mm STROKE CHAIN LINK ACTUATOR
 ELECTRICAL INSTALLATION NOT BY ROOFGLAZE

1750 TO 2000 OVERALL KERB SPAN, INCLUDING ROOF FINISHING

SECTION A-A

SPAN RANGE 1750 TO 2000

THIS DRAWING MUST NOT BE COPIED OR PASSED TO A THIRD PARTY WITHOUT WRITTEN CONSENT FROM ROOFGLAZE LIMITED.	CHECKED	TOLERANCE UNLESS OTHERWISE STATED	MATERIAL	Roofglaze Limited. Unit 4, Little End Road, Eaton Sucon, St Neots, Cambs, PE19 8JH Telephone 01480 474797, Fax 01480 474774. E-mail technical@roofglaze.co.uk			ROOFGLAZE	QUOTE N°.	DRAWING N°.	REV			
	DATE	±3	ALUMINIUM GLASS	REV	AMENDMENTS	SIGNED					CHECKED	DATE	
	DRAWN	DIMENSIONS IN	FINISH	TITLE:							A1	RG-50-20	SHEET 2 OF 4
	R. PADDICK	MM	POLYESTER POWDER COATING	RG-50 RIDGELIGHT GABLE END									
DATE	SCALE												
13-Feb-2009	1:1 @ A1 1:3 @ A1												