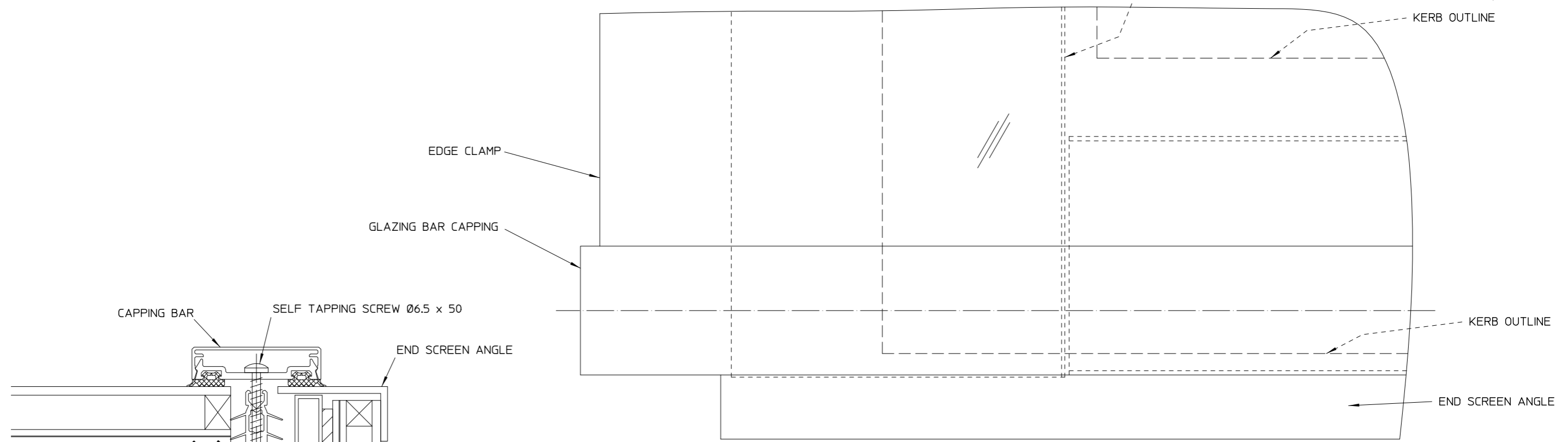
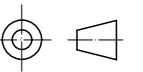
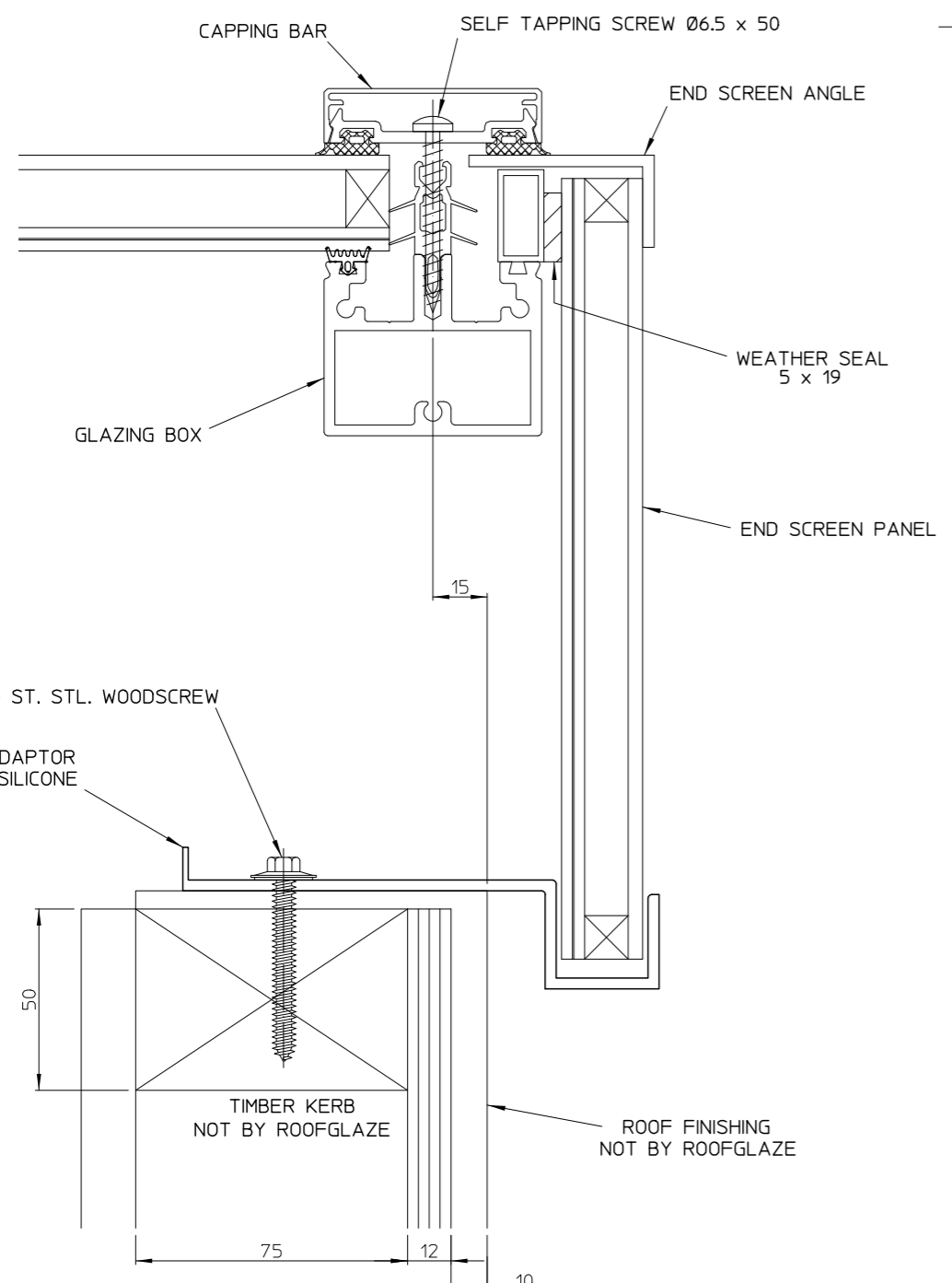


IF IN DOUBT ASK DO NOT SCALE

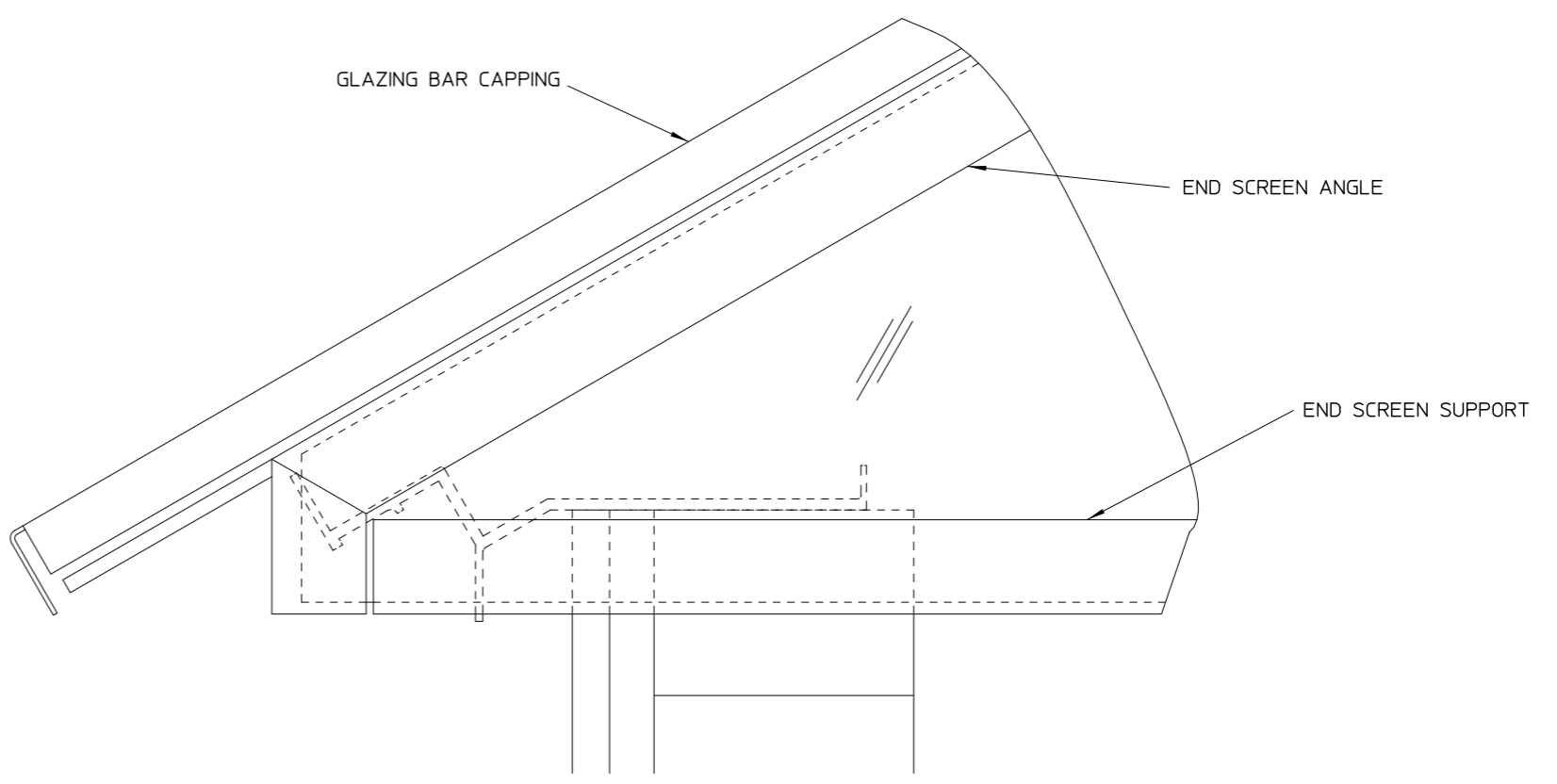
SIDE KERB ADAPTOR



PLAN OF CORNER DETAIL



SECTION E-E



CORNER DETAIL

SPAN RANGE 1750 TO 2000

OVERALL KERB LENGTH, INCLUDING ROOF FINISHING

THIS DRAWING MUST NOT BE COPIED OR PASSED TO A THIRD PARTY WITHOUT WRITTEN CONSENT FROM ROOFGLAZE LIMITED.	CHECKED	TOLERANCE UNLESS OTHERWISE STATED	MATERIAL	Roiglaze Limited. Unit 4, Little End Road, Eaton Sucon, St Neots, Cambs, PE19 8JH Telephone 01480 474797. Fax 01480 474774. E-mail technical@roofglaze.co.uk			<b>ROOFGLAZE</b> QUOTE NO.	REV
	DATE	±3	ALUMINIUM GLASS	TITLE: RG-50 RIDGELIGHT GABLE END				
	DRAWN	DIMENSIONS IN	FINISH					
R. PADDICK	MM	POLYESTER POWDER COATING	A1			RG-50-20		
DATE	SCALE	1:1 @ A1	SIGNED			SHEET 4 OF 4		
13-Feb-2009			REV	AMENDMENTS	SIGNED	CHECKED	DATE	