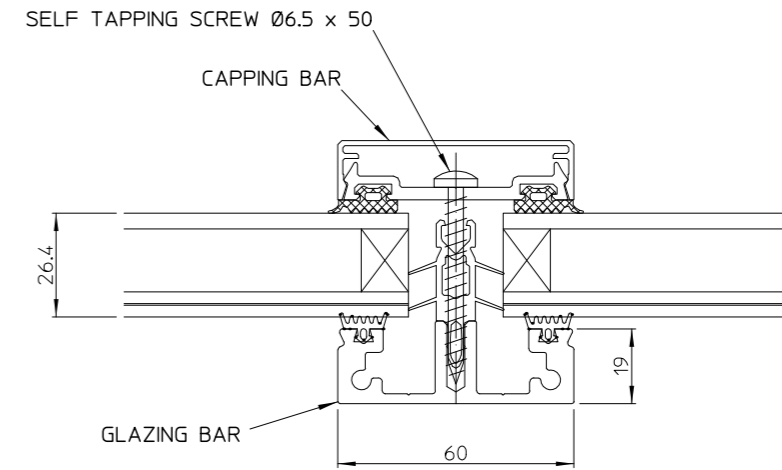


SECTION C-C
HIP RAFTER SECTION VIEW



SECTION E-E
RAFTER SECTION VIEW

SPAN RANGE 1500 TO 1750

THIS DRAWING MUST NOT BE COPIED OR PASSED TO A THIRD PARTY WITHOUT WRITTEN CONSENT FROM ROOFGLAZE LIMITED.	CHECKED	TOLERANCE UNLESS OTHERWISE STATED	±3	MATERIAL	ALUMINIUM GLASS	Roofglaze Limited, Unit 4, Little End Road, Eaton Socon, St Neots, Cambs, PE19 8JH Telephone 01480 474797. Fax 01480 474774. E-mail technical@roofglaze.co.uk	ROOFGLAZE	QUOTE N°	DRAWING N°	REV		
	DATE	DIMENSIONS IN	MM	FINISH	POLYESTER POWDER COATING							
	DRAWN R. PADDICK	SCALE	1:1 @ A1									
DATE	13-Feb-2009			REV	AMENDMENTS	SIGNED	CHECKED	DATE	TITLE:	RG-50 RIDGELIGHT HIP END	A1	RG-50-50 SHEET 3 OF 3