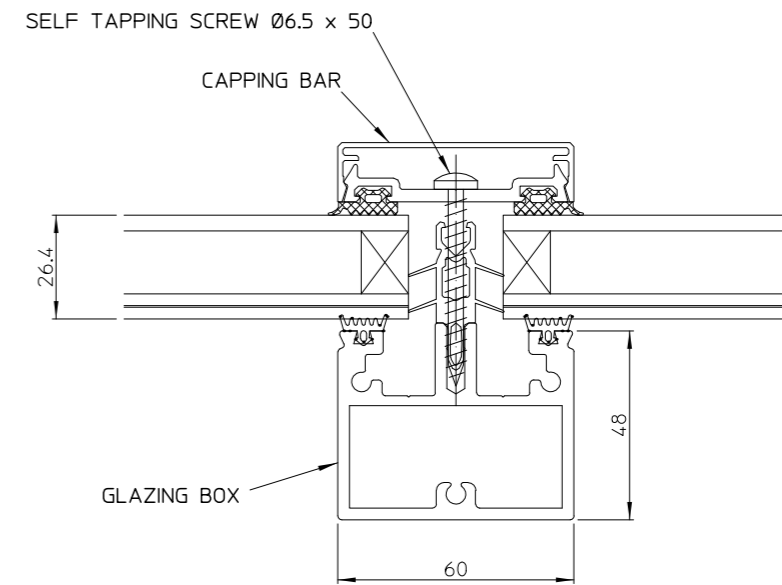


SECTION C-C
HIP RAFTER SECTION VIEW



SECTION E-E
RAFTER SECTION VIEW

SPAN RANGE 1750 TO 2000

THIS DRAWING MUST NOT BE COPIED OR PASSED TO A THIRD PARTY WITHOUT WRITTEN CONSENT FROM ROOFGLAZE LIMITED.	CHECKED	TOLERANCE UNLESS OTHERWISE STATED	MATERIAL	Roofglaze Limited, Unit 4, Little End Road, Eaton Socon, St Neots, Cambs, PE19 8JH Telephone 01480 474797. Fax 01480 474774. E-mail technical@roofglaze.co.uk			ROOFGLAZE	QUOTE N°	DRAWING N°	REV
	DATE	±3	ALUMINIUM GLASS							
	DRAWN	DIMENSIONS IN	FINISH							
	R. PADDICK	MM	POLYESTER POWDER COATING	TITLE:	RG-50 RIDGELIGHT HIP END	A1	RG-50-60	SHEET 3 OF 3		
	13-Feb-2009	SCALE	1:1 @ A1	REV	AMENDMENTS	SIGNED	CHECKED	DATE		