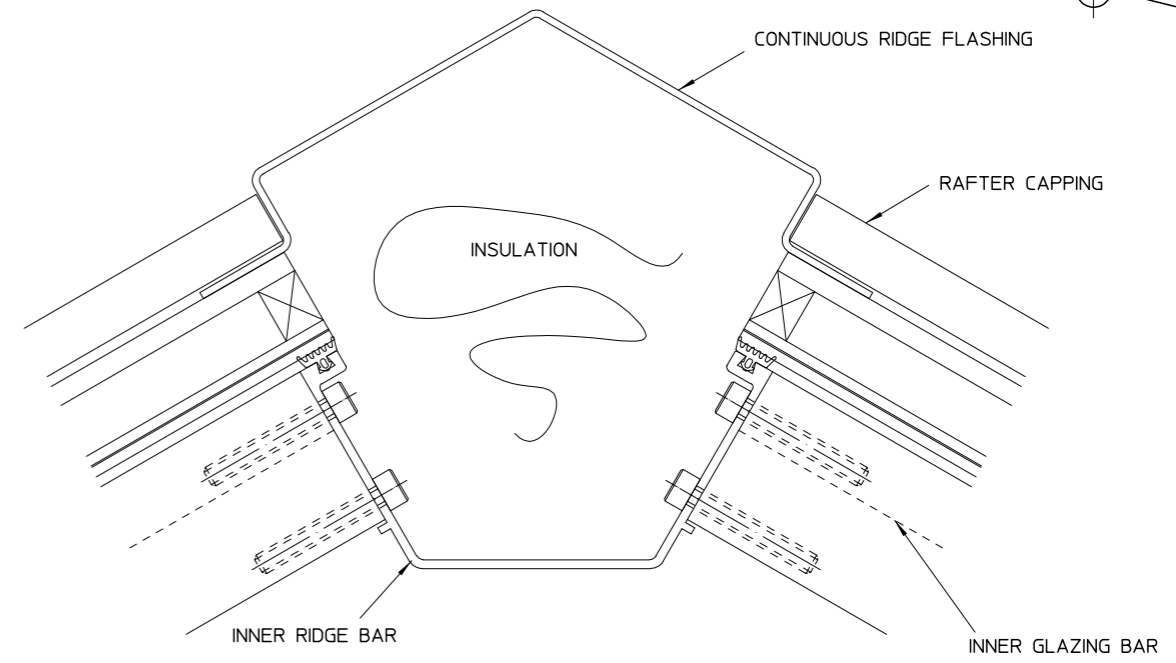
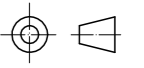
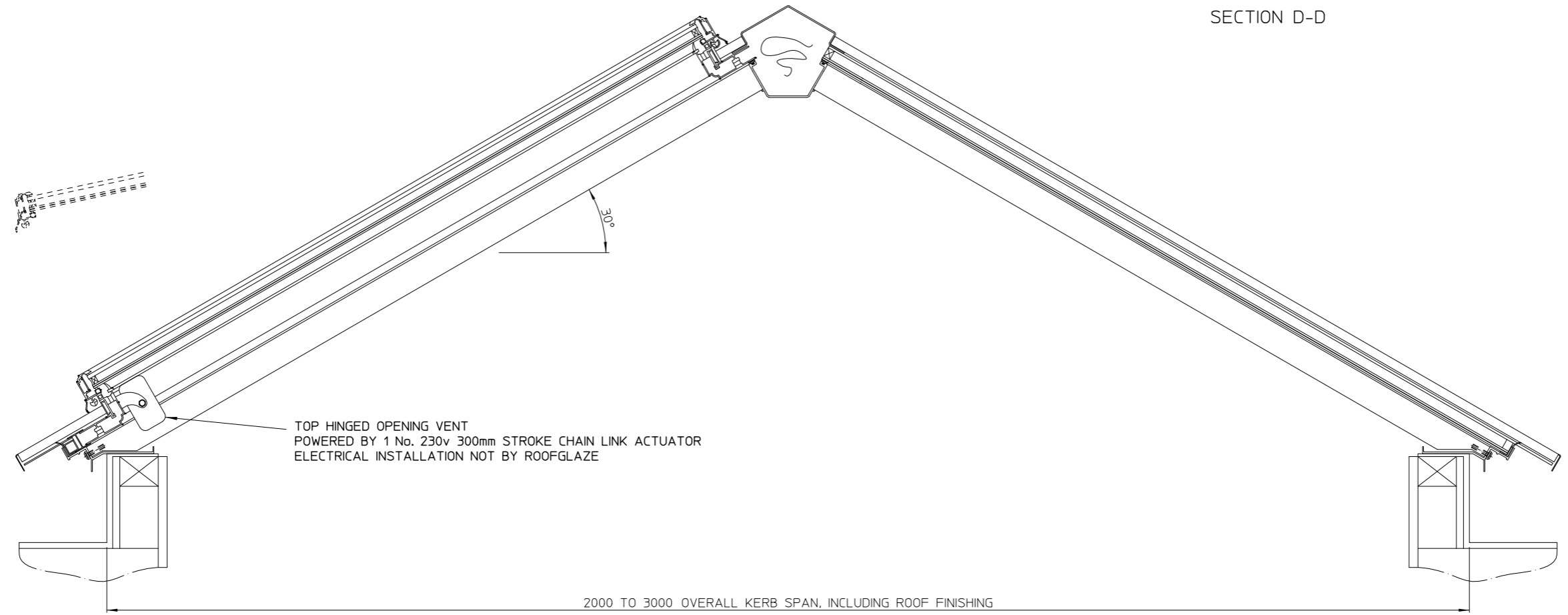


IF IN DOUBT ASK DO NOT SCALE



SECTION D-D



SECTION A-A

SPAN RANGE 2000 TO 3000

THIS DRAWING MUST NOT BE COPIED OR PASSED TO A THIRD PARTY WITHOUT WRITTEN CONSENT FROM ROOFGLAZE LIMITED.	CHECKED	TOLERANCE UNLESS OTHERWISE STATED	MATERIAL	Roofglaze Limited. Unit 4, Little End Road, Eaton Sucon, St Neots, Cambs, PE19 8JH Telephone 01480 474797, Fax 01480 474774. E-mail technical@roofglaze.co.uk			ROOFGLAZE	QUOTE N°.	DRAWING N°.	REV		
	DATE	±3	ALUMINIUM GLASS	REV	AMENDMENTS	SIGNED					CHECKED	DATE
	DRAWN	DIMENSIONS IN	FINISH	RG-50 RIDGELIGHT HIP END							A1	RG-50-70
	R. PADDICK	MM	POLYESTER POWDER COATING	SHEET 2 OF 3								
DATE	SCALE											
13-Feb-2009	1:1 @ A1 1:4 @ A1											