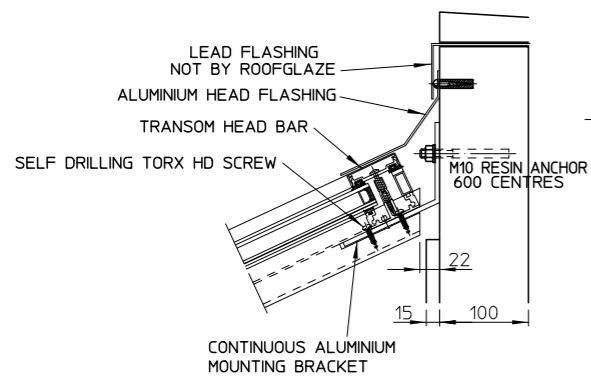


FOR SPAN RANGE FROM 600mm TO 2200mm



ALTERNATIVE HEAD DETAIL

THIS DRAWING MUST NOT BE COPIED OR PASSED TO A THIRD PARTY WITHOUT WRITTEN CONSENT FROM ROOFGLAZE LIMITED.	CHECKED	TOLERANCE UNLESS OTHERWISE STATED	MATERIAL				Roofglaze Limited. Unit 4, Little End Road, Eaton Socon, St Neots, Cambs, PE19 8JH Telephone 01480 474797, Fax 01480 474774. E-mail technical@roofglaze.co.uk	<b>ROOFGLAZE</b>	QUOTE N°.	DRAWING N°.	REV
	DATE	±3	ALUMINIUM GLASS								
	DRAWN R. PADDICK	DIMENSIONS IN MM	FINISH								
	DATE 9-Sep-2008	SCALE 1:1 @ A1		REV	AMENDMENTS	SIGNED	CHECKED	DATE	TITLE: RG-70 MONO PITCH ROOFLIGHT RG BAR OR BOX	A1	RG-70-10 SHEET 1 OF 2