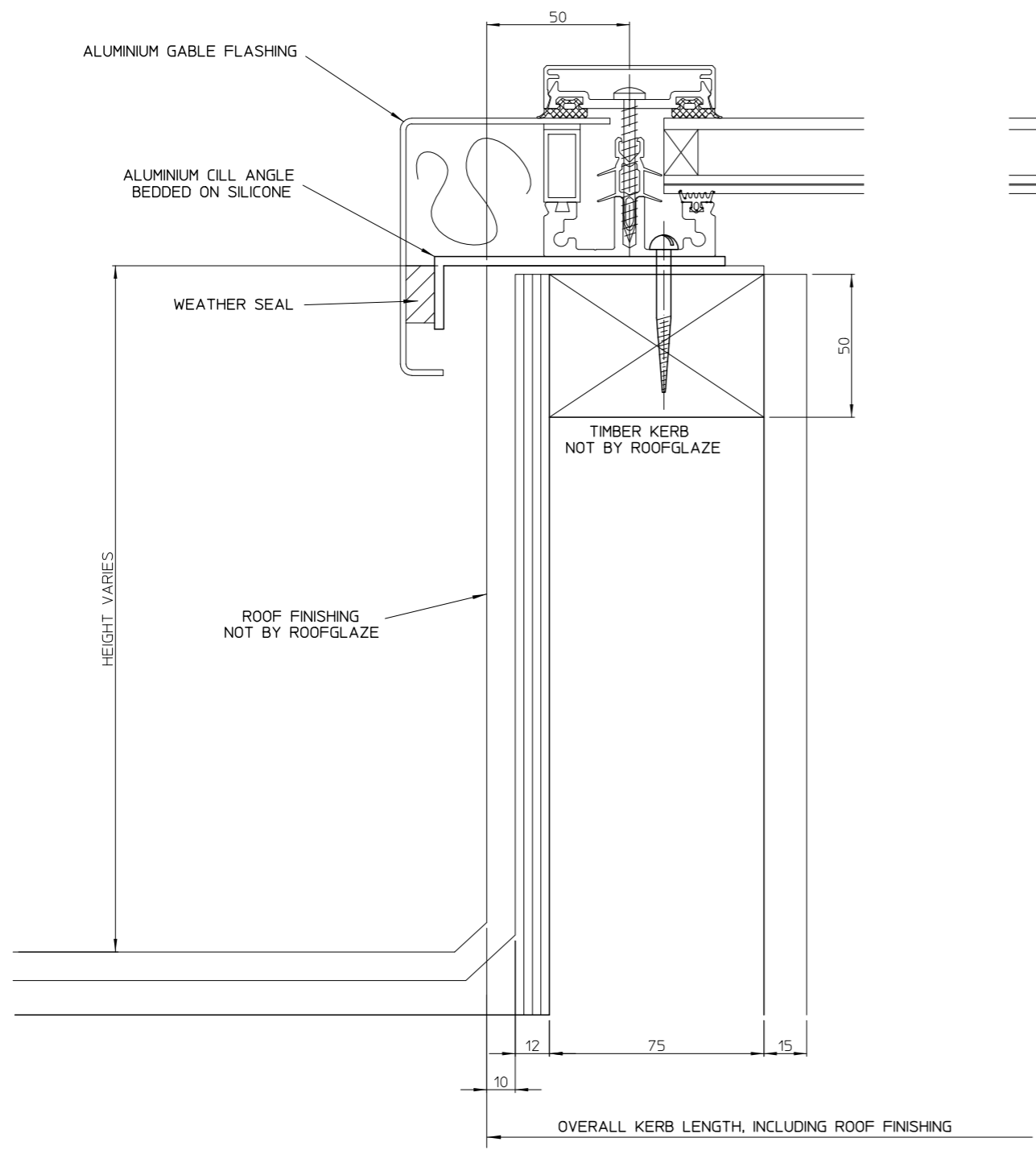
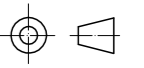
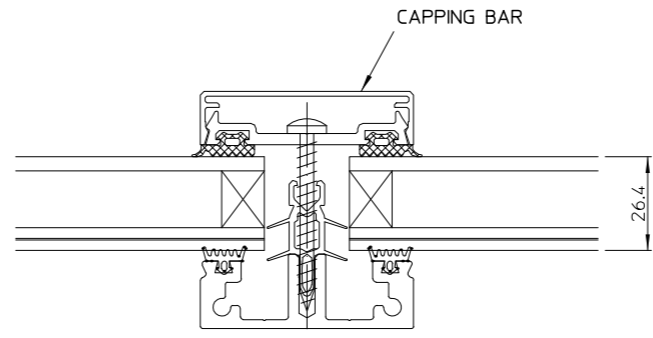


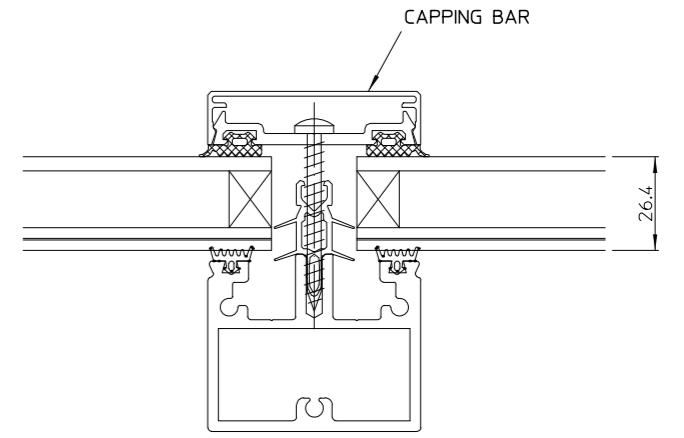
IF IN DOUBT ASK DO NOT SCALE



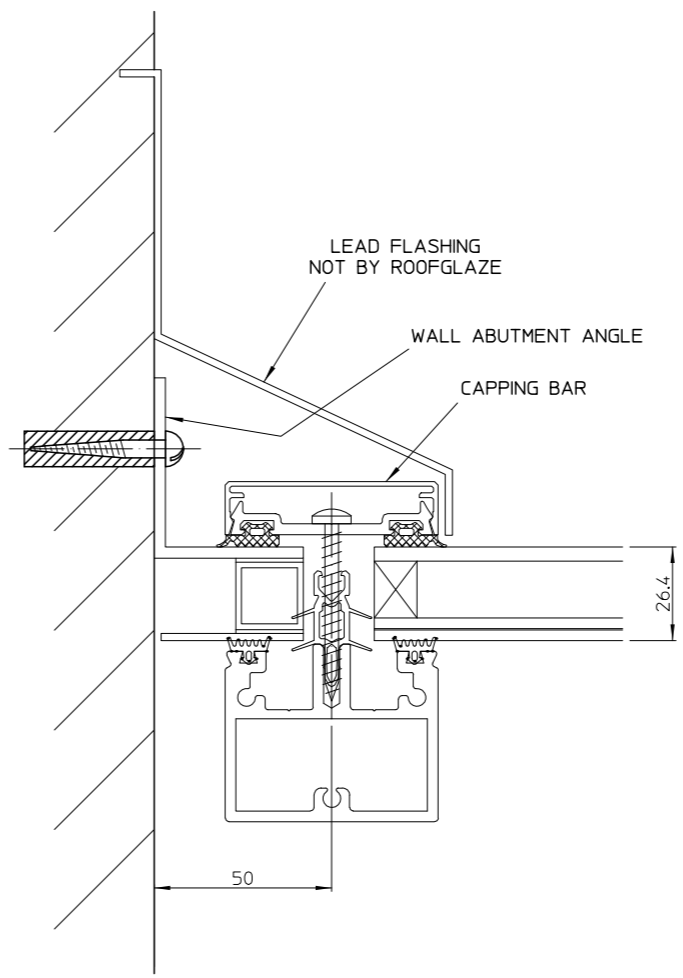
END KERB SECTION VIEW



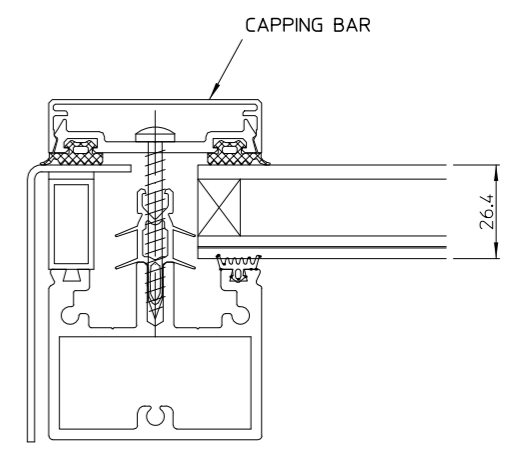
RAFTER SECTION VIEW



RAFTER SECTION VIEW



WALL ABUTMENT DETAIL



OPEN END DETAIL

THIS DRAWING MUST NOT BE COPIED OR PASSED TO A THIRD PARTY WITHOUT WRITTEN CONSENT FROM ROOFGLAZE LIMITED.	CHECKED	TOLERANCE UNLESS OTHERWISE STATED	±3	MATERIAL	ALUMINIUM GLASS	Roofglaze Limited. Unit 4, Little End Road, Eaton Socon, St Neots, Cambs, PE19 8JH Telephone 01480 474797, Fax 01480 474774. E-mail technical@roofglaze.co.uk	ROOFGLAZE	QUOTE N°.	DRAWING N°.	REV
	DATE	DIMENSIONS IN	FINISH							
	DRAWN R. PADDICK	MM	SCALE	1:1 @ A1						
DATE	9-Sep-2008					TITLE:	RG-70 MONO PITCH ROOFLIGHT RG BAR OR BOX	A1	RG-70-10	SHEET 2 OF 2
REV	AMENDMENTS	SIGNED	CHECKED	DATE						