

Fabricated Dome Rooflights



The Roofglaze range of high quality rooflights are designed to provide the maximum efficient distribution of natural light, together with a variety of ventilation options.

- Building Regulation Part L compliant design to achieve low U-value targets
- Non Fragile in accordance with European Regulations

RG self supporting Fabricated Domes are designed to be installed to a weathered builders kerb.

All Domes are purpose made to suit variable overall kerb sizes, within a span range from:
1.5m to 8m

The number of facets for the Fabricated Dome is set to following minimum:

Eight facets for Domes up to 2.8m span

Ten facets for Domes up to 3.6m span

Twelve facets for Domes up to 4.8m span

Fourteen facets for Domes up to 5.2m span

Sixteen facets for Domes up to 6.0m span

Eighteen facets for Domes up to 6.8m span

Twenty facets for Domes up to 7.6m span

Twenty two facets for Domes up to 8.0m span

RG Fabricated Domes are manufactured from Polyester Powder Coated Aluminium Extrusions and glazed with solid polycarbonate glazing cassettes.

Glazing Options and typical performance values.

Glazing	Glazing Options	U-Value	Light Transmission	G-Value
Double Glazed *	- Clear	2.6 W/m ² K	67%	0.67
	- Opal		40%	0.48
	- Tinted Bronze		41%	0.55
	- Cool & Clear		46%	0.37
Triple Glazed *	- Clear	1.6 W/m ² K	59%	0.59
	- Opal		35%	0.42
	- Tinted Bronze		36%	0.48
	- Cool & Clear		40%	0.32

Performance Standard

RG Fabricated Domes are Class 1 surface spread of flame, TPa and have an AA designation.

Acoustic Reduction for Triple Skin Rw 25 dB

Roofglaze Limited offer a 10 year warranty against discolouration of the polycarbonate.

This is underwritten by the glazing manufacturer.

RG Barrel Vaults are designed to standard loadings of 640 N/m² (wind) and 750 N/m² (snow) and in accordance with the following British Standards:

BS 6375 : Part 1 : Weather Tightness

BS EN 1026 : Air Permeability

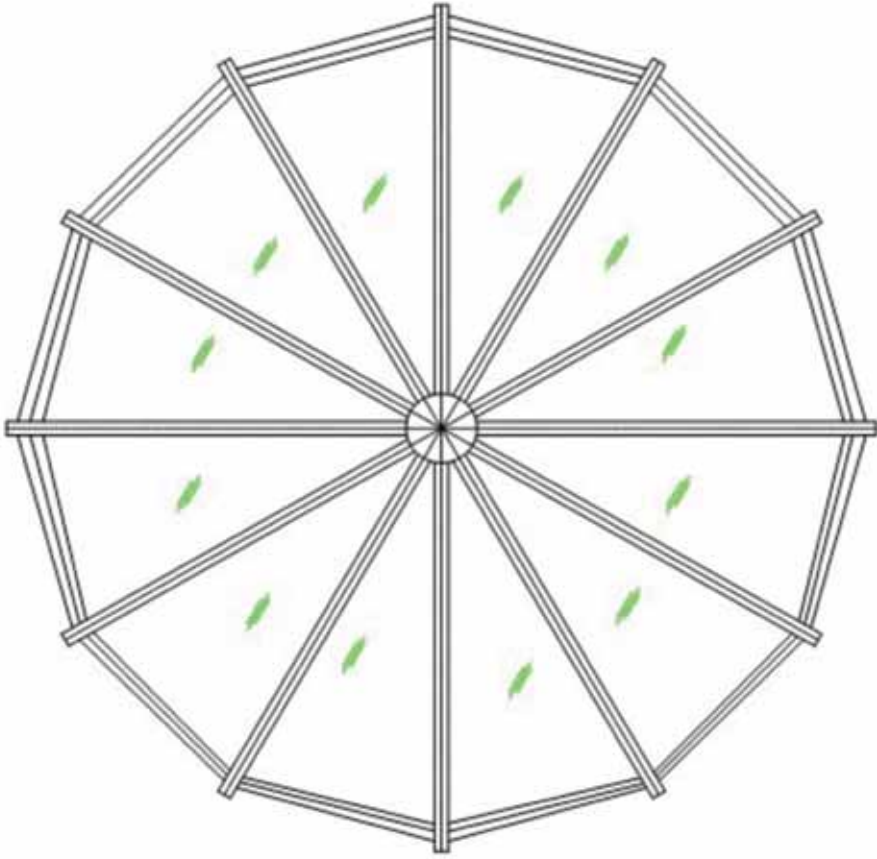
BS EN 1027 : Water Tightness Test

BS EN 12211 : Wind Resistance Test

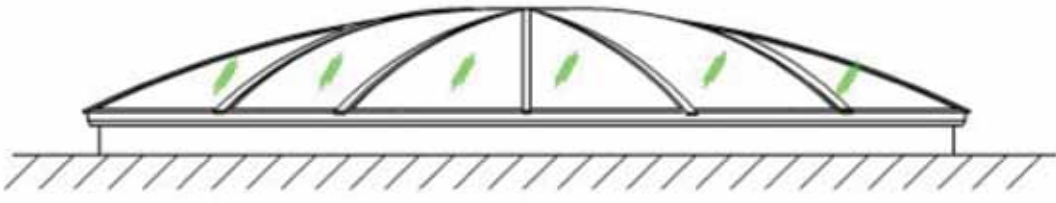
RG Fabricated Domes are available in design shapes from low rise to semi-circular.

Elliptical Domes are also available, in low rise shape only.

* Figures based on 3mm inner & outer skins, 3mm middle skin

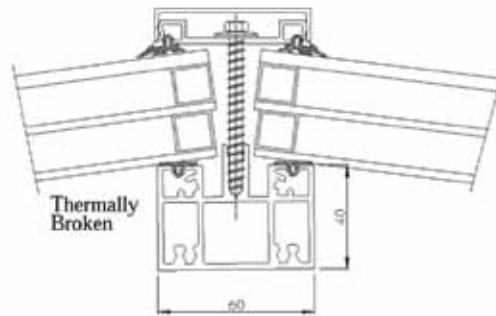


PLAN VIEW

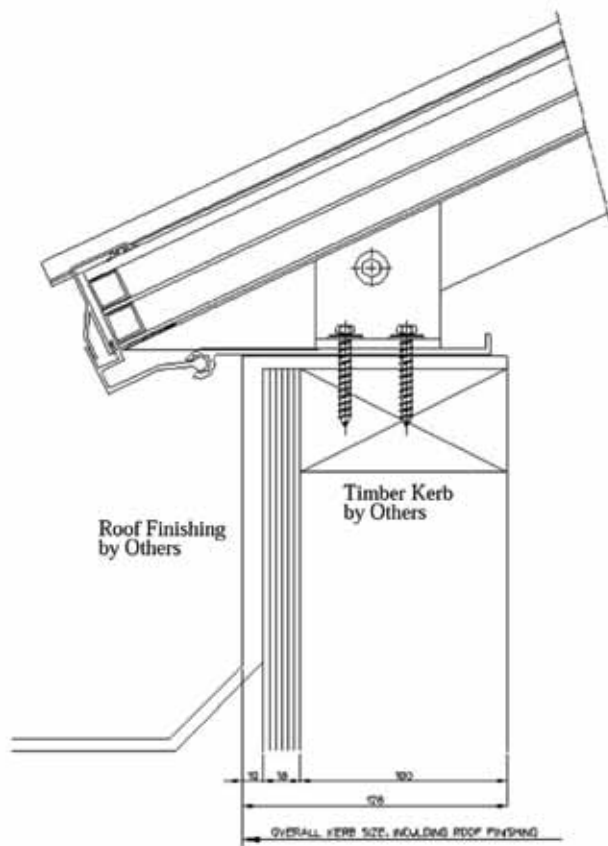


SIDE ELEVATION

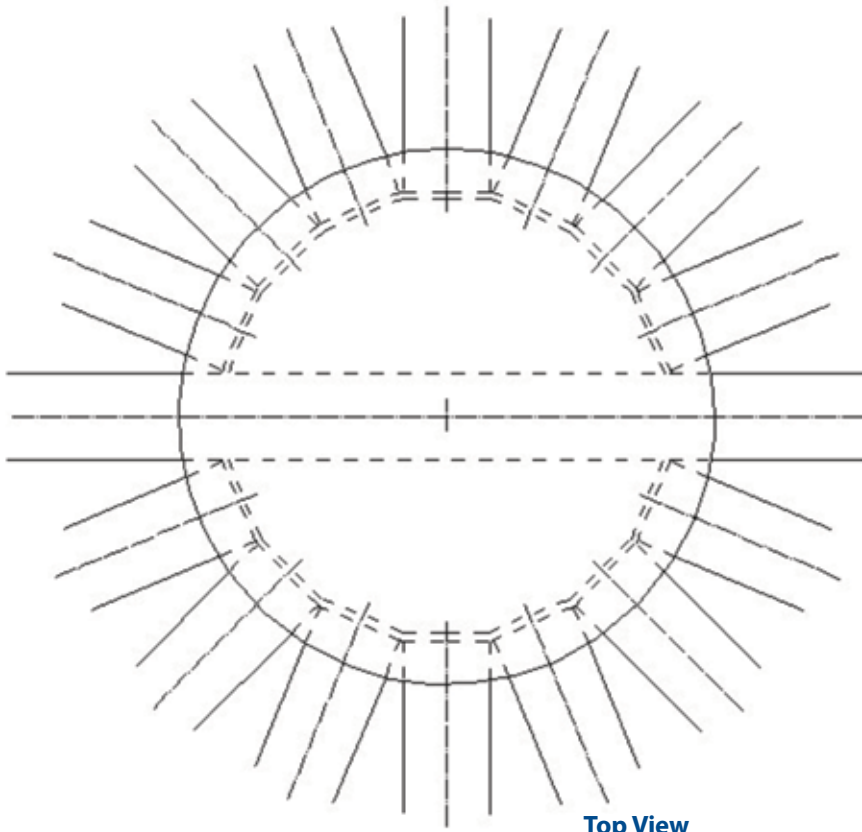
Typical details



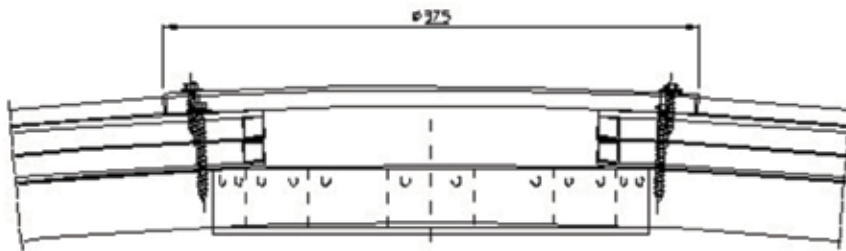
Rafter Section View



Kerb Section View



Top View



Compression Ring Detail

Roofglaze Ltd
Units 30 - 31
Little End Road
Eaton Socon
St. Neots
Cambridgeshire
PE19 8JH

Tel 01480 474797
Fax 01480 474774
Email sales@roofglaze.co.uk

www.roofglaze.co.uk



Roofglaze