

## Glass Polygons



*The Roofglaze range of high quality rooflights are designed to provide the maximum efficient distribution of natural light, together with a variety of ventilation options.*

- Building Regulation Part L compliant design to achieve low U-value targets
- Non Fragile in accordance with ACR [M]001:2005
- Ventilation options for Natural Ventilation are available in larger sized rooflights

RG self supporting Polygons are designed to be installed to a weathered builders kerb.

All Polygons are purpose made to suit variable overall kerb sizes, within a span range from

1.5m to 7m

The number of facets for the Polygon is subject to bespoke design, Roofglaze standard is

Eight facets for Polygons up to 2.5m span

Ten facets for Polygons up to 3.2m span

Twelve facets for Polygons up to 7m span

RG Polygons are manufactured from Mill Finish or Polyester Powder Coated Aluminium Extrusions and glazed with hermetically sealed Argon filled Double Glazed units.

## Standard Glazing Options:

Glazing	Glazing Options	U-Value	Light Transmission	G-Value
Outer: 4mm Toughened Cavity: 16mm Argon Inner: 6.4mm Laminated with soft Low-E coating	- Clear	1.2 W/m <sup>2</sup> K	79%	0.70
	- Self Cleaning	1.2 W/m <sup>2</sup> K	76%	0.67
	- Tinted Bronze	1.2 W/m <sup>2</sup> K	53%	0.51
Outer: 6mm Toughened Cavity: 16mm Argon Inner: 6.4mm Laminated with soft Low-E coating	- Clear	1.2 W/m <sup>2</sup> K	78%	0.68
	- Solar Control	1.1 W/m <sup>2</sup> K	67%	0.41
	- Self Cleaning	1.2 W/m <sup>2</sup> K	76%	0.65
	- Tinted Bronze	1.2 W/m <sup>2</sup> K	43%	0.42

Other glazing options or specification are available on request

RG Polygons are designed to standard loadings of 640 N/m<sup>2</sup> (wind) and 750 N/m<sup>2</sup> (snow) and in accordance with the following British Standards:

- BS 6375 : Part 1 : Weather Tightness
- BS EN 1026 : Air Permeability
- BS EN 1027 : Water Tightness Test
- BS EN 12211 : Wind Resistance Test

Standard pitch angle is 30°

Other pitch angles from 15° to 60° can be accommodated by bespoke design.

### Standard 30° Polygons with stepped edge glazing detail

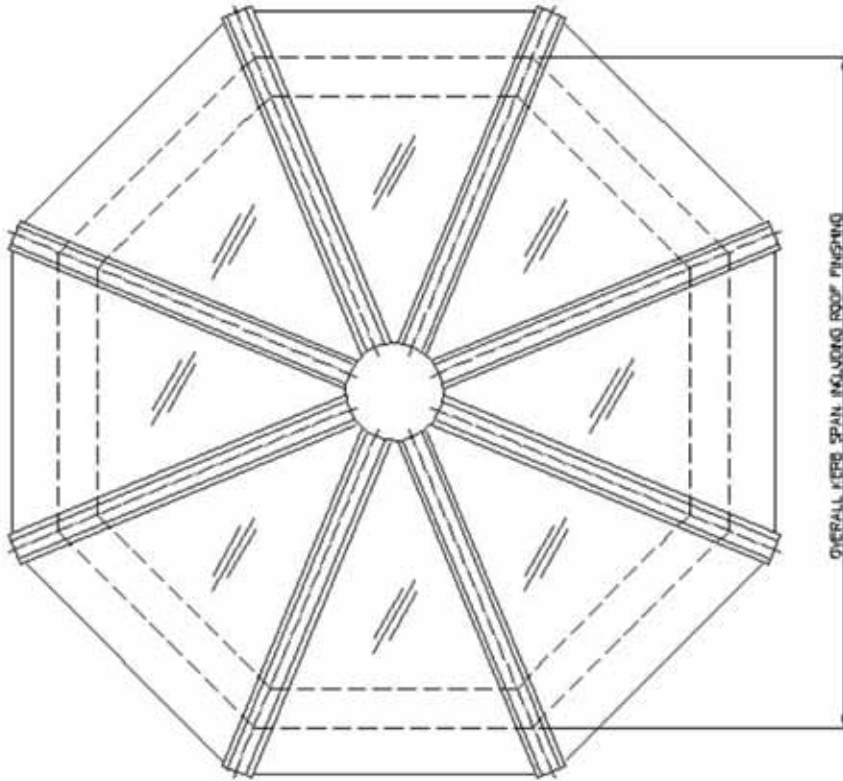
are available for an overall kerb span range from 1500mm to 3200mm

### Bespoke variable pitch Polygons

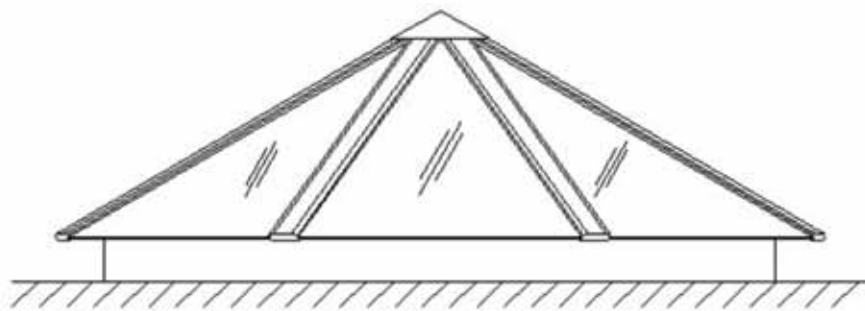
are available for an overall kerb span range from 1500mm to 7000mm minimum pitch angle is 15°

For further information please contact our Sales or Technical Department

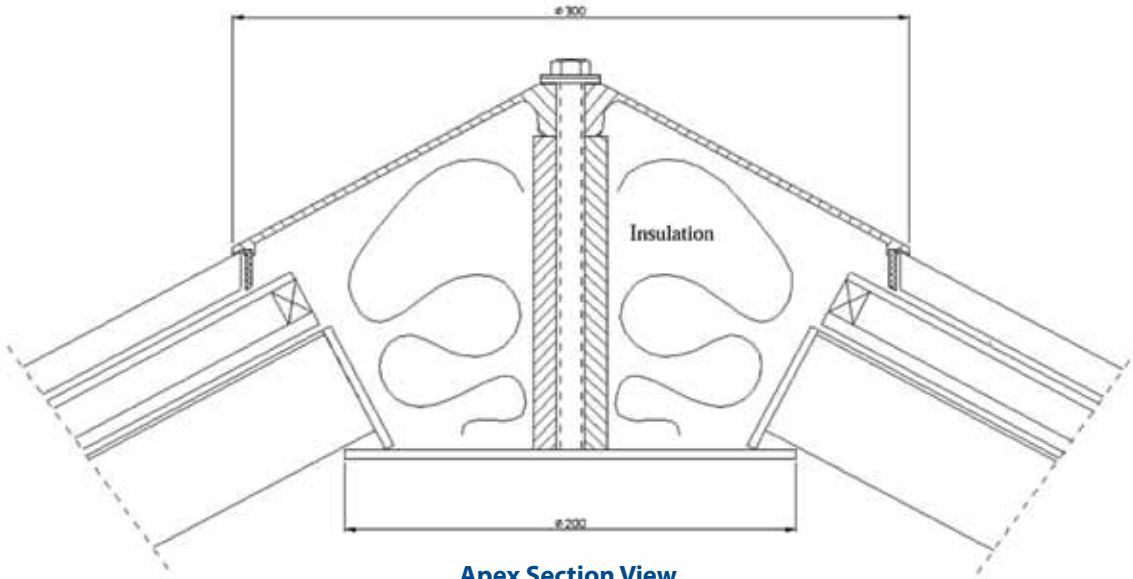
## Typical details



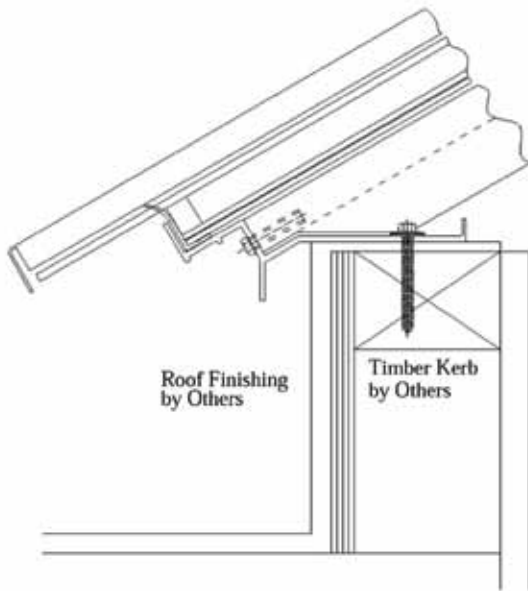
Plan View



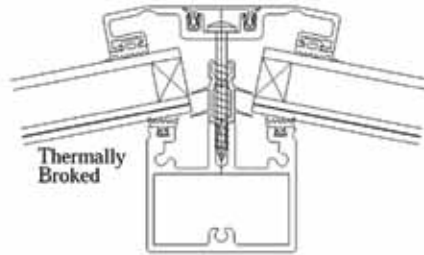
End Elevation View



**Apex Section View**



**Kerb Section View**



**Hip Section View**

Roofglaze Ltd  
Units 30 - 31  
Little End Road  
Eaton Socon  
St. Neots  
Cambridgeshire  
PE19 8JH

**Tel** 01480 474797  
**Fax** 01480 474774  
**Email** sales@roofglaze.co.uk

[www.roofglaze.co.uk](http://www.roofglaze.co.uk)



**Roofglaze**