

Glass Pyramids



The Roofglaze range of high quality rooflights are designed to provide the maximum efficient distribution of natural light, together with a variety of ventilation options.

- Building Regulation Part L compliant design to achieve low U-value targets
- Non Fragile in accordance with British Regulations
- Ventilation options for Natural Ventilation are available in larger sized rooflights

RG self supporting Pyramids are designed to be installed to a weathered builders kerb.

All Pyramids are purpose made to suit variable overall kerb sizes, within a span range from 0.6m to 7m

Glazing Bar Configuration

Up to 1.5m span – Hip Rafters only

1.5m to 2m span – Centre Jack Rafter

Over 2m span – Jack Rafters are required

RG Pyramids are manufactured from Mill Finish Polyester Powder Coated Aluminium Extrusions and glazed with hermetically sealed Argon filled Double Glazed units.

Standard Glazing Options:

Glazing	Glazing Options	U-Value	Light Transmission	G-Value
Outer: 4mm Toughened Cavity: 16mm Argon Inner: 6.4mm Laminated with soft Low-E coating	- Clear	1.2 W/m ² K	79%	0.70
	- Self Cleaning	1.2 W/m ² K	76%	0.67
	- Tinted Bronze	1.2 W/m ² K	53%	0.51
Outer: 6mm Toughened Cavity: 16mm Argon Inner: 6.4mm Laminated with soft Low-E coating	- Clear	1.2 W/m ² K	78%	0.68
	- Solar Control	1.1 W/m ² K	67%	0.41
	- Self Cleaning	1.2 W/m ² K	76%	0.65
	- Tinted Bronze	1.2 W/m ² K	43%	0.42

Other glazing options or specification are available on request

RG Pyramids are designed to standard loadings of 640 N/m² (wind) and 750 N/m² (snow) and in accordance with the following British Standards:

- BS 6375 : Part 1 : Weather Tightness
- BS EN 1026 : Air Permeability
- BS EN 1027 : Water Tightness Test
- BS EN 12211 : Wind Resistance Test

Standard pitch angle is 30°

Other pitch angles from 15° to 60° can be accommodated by bespoke design.

Standard 30° Pyramids with stepped edge glazing detail

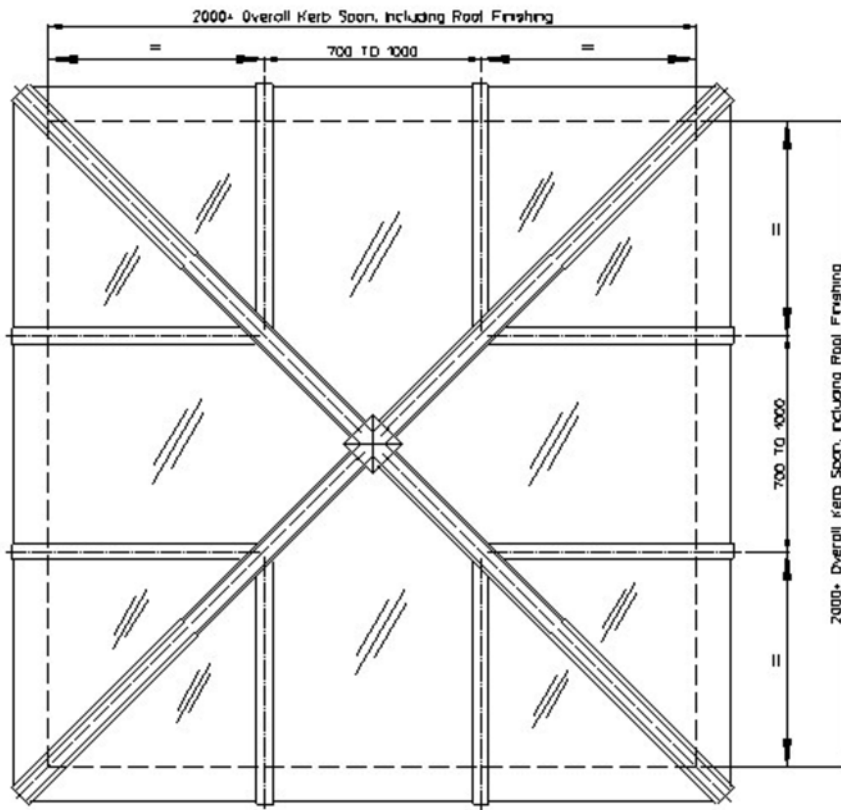
are available for an overall kerb span range from 600mm to 3000mm

Bespoke variable pitch Pyramids

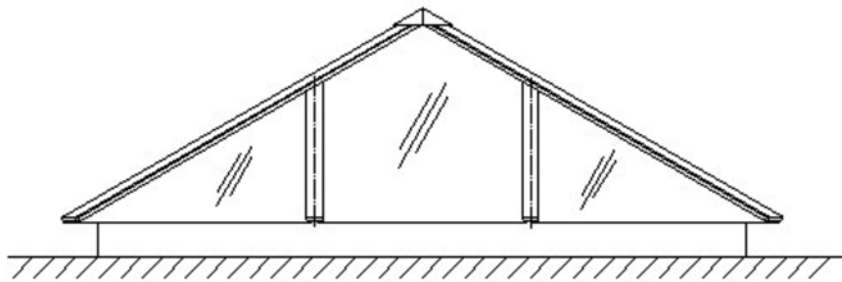
are available for an overall kerb span range from 600mm to 7000mm minimum pitch angle is 15°

For further information please contact our Sales or Technical Department

Small to Medium Span Pyramid

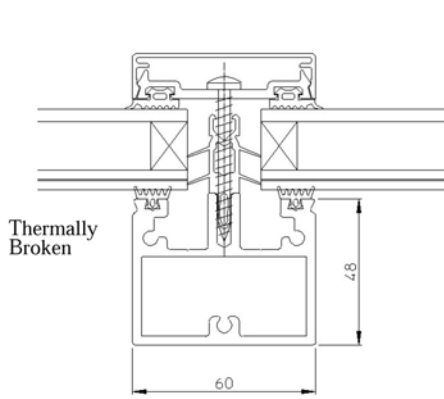


Plan View

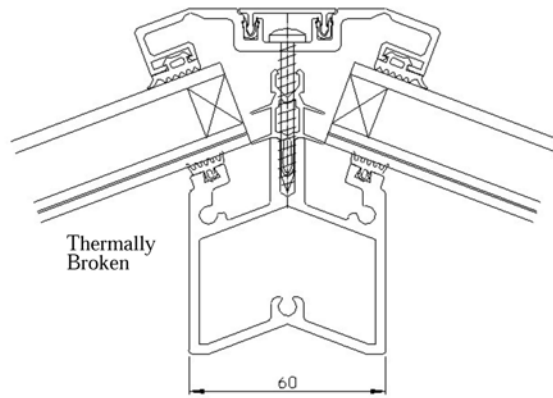


Side Elevation

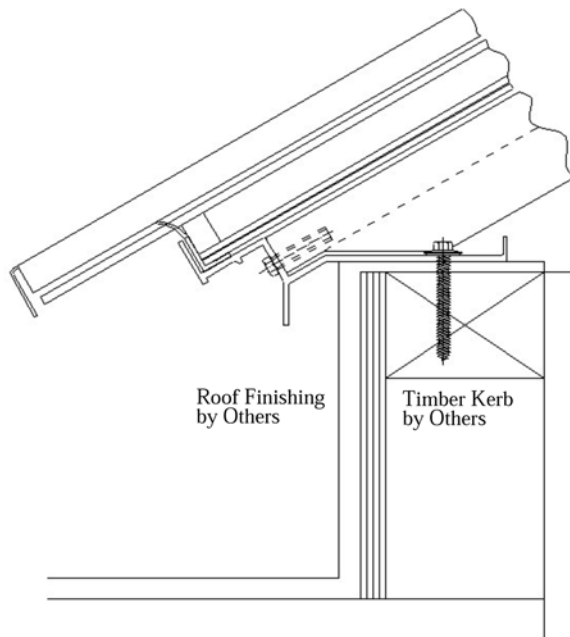
Small to Medium Span Pyramid



Jack Rafter Section View

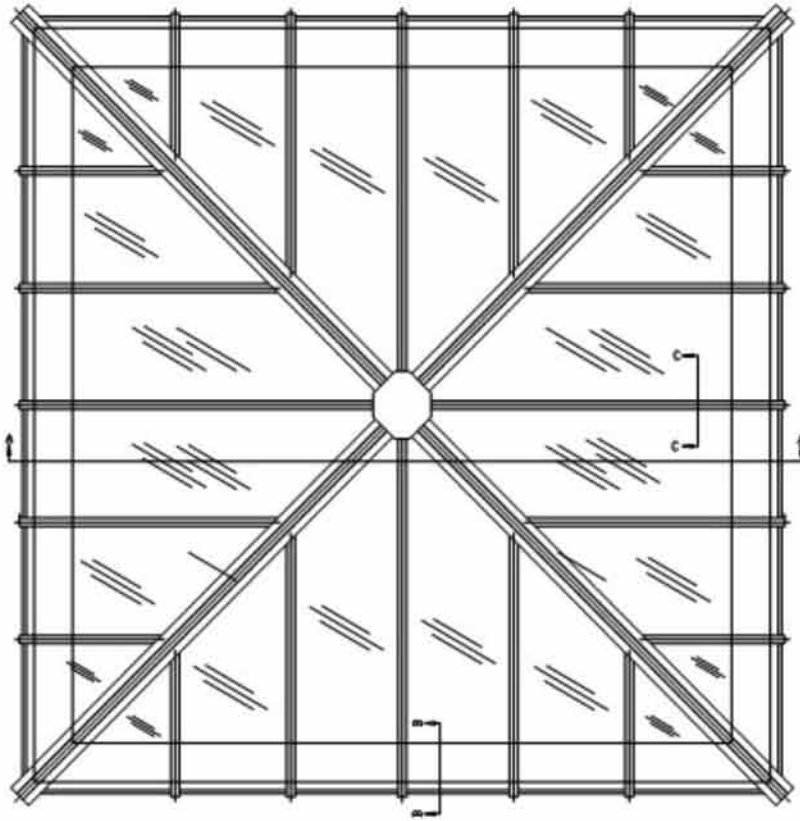


Hip Rafter Section View



Kerb Section View

Large Span Pyramid

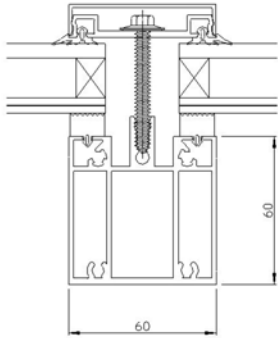


Plane View

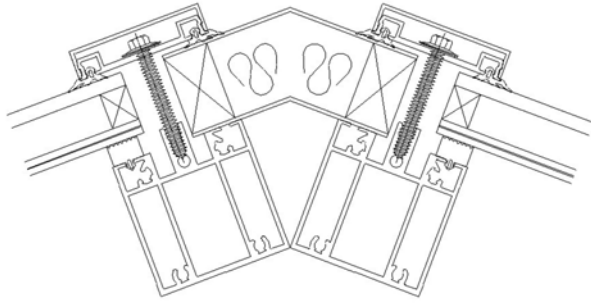


Section A-A

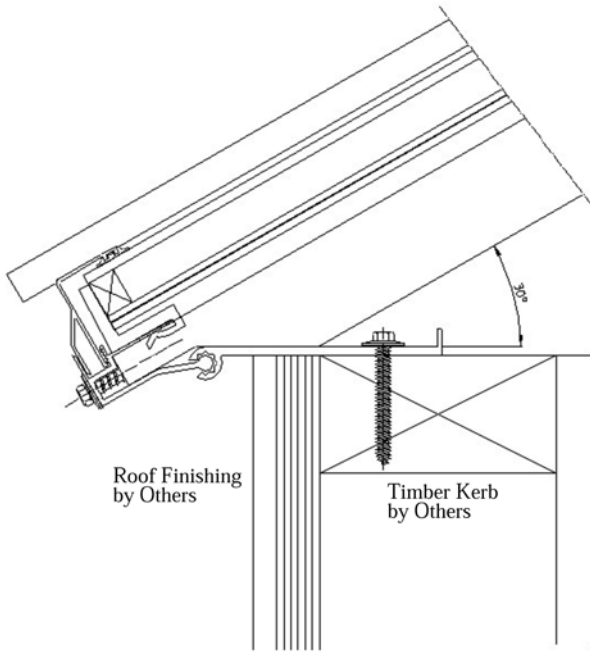
Large Span Pyramid



Rafter Section View



Hip Section View



Kerb Section View

Roofglaze Ltd
 Units 30 - 31
 Little End Road
 Eaton Socon
 St. Neots
 Cambridgeshire
 PE19 8JH

Tel 01480 474797
 Fax 01480 474774
 Email sales@roofglaze.co.uk

www.roofglaze.co.uk



Roofglaze