

Roofglaze

modular rooflights

Domes | Pyramids | Opening rooflights | Flatglaze rooflights

The Roofglaze range of modular rooflights offers a huge variety of solutions for introducing natural light into all kinds of buildings, with options for natural and smoke ventilation, solar control and roof access

- Manufactured in the UK and the Netherlands, to comply with European standards and UK Building Regulations
- U-values for all complete units are as low as 1.3, exceeding the current Part L requirements
- Top quality UV protected polycarbonate or glass glazing
- Full technical backup and nationwide survey service
- 48 hours delivery on standard products
- Twenty years warranty on all products

RG Thermalite premium rooflights	p2
RG Econolite economy rooflights	p4
RG Econolite refurbishment rooflights	p6
RG Flatglaze rooflights	p8
RG Automatic opening vents (AOV)	p9
RG Access hatches	p9

RG Thermalite®

The ultimate modular rooflight for outstanding performance in any application

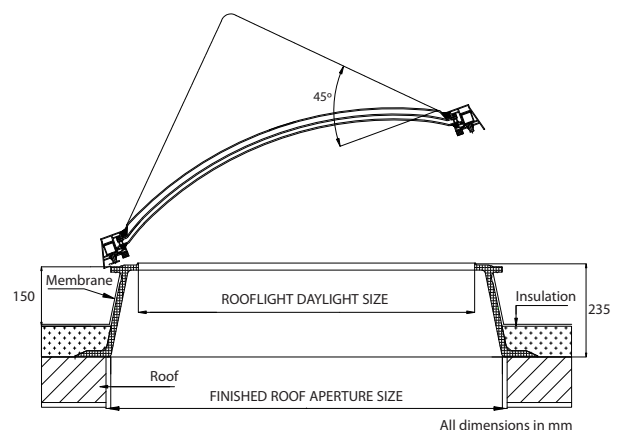
Combining top quality multi-skin polycarbonate glazing elements with uPVC self-insulated upstands and edge frames, Thermalite rooflights can be confidently specified for virtually any application.

With their excellent thermal efficiency, Thermalite rooflights help to reduce energy consumption to make a contribution to lower carbon emissions.

- Square or rectangular domes and pyramids in a wide range of sizes
- Double or triple skin glazing
- Total product U-value as low as 1.37 W/m²k, exceeding the requirement for Part L compliance
- Design minimises risk of condensation
- Clear, diffused, bronze or opal glazing
- Foamed uPVC upstand requires no additional insulation
- Polycarbonate glazing complies with current BS476 and BS EN13501 fire ratings
- Suitable for use with all popular flat roof finishes
- Secure frame fixing prevents forced entry
- 20 year guarantee

Ventilation & opening options

- Mechanically- and electrically-operated hinged ventilation units
- 90° opening access hatch units available (see page 9)
- 90° or 140° opening Automatic Opening Vent (AOV) versions for smoke ventilation available (see page 9)
- Controllable trickle ventilation to upstands



RG Thermalite rooflight



Download full technical specifications at
www.roofglaze.co.uk/modular-rooflights.html



Total product
U-value
1.37
W/m²k

RG Thermalite rooflights feature foamed uPVC self-insulated upstands and thermally-broken edge frames

Domes and Pyramids					Ventilation, Access Hatch and AOV's				
Finished Roof aperture sizes		Foamed uPVC upstand 235 mm high	Rooflight Daylight sizes		Height Pyramids 45°	Opening ventilation section	Operated by	Access hatch 90°	AOV's 140°
1	600	600	•	460	460	•	•	M or E	
2	600	900	•	460	760	•	•	M or E	
3	600	1200	•	460	1060	•	•	M or E	
4	750	750	•	610	610	•	•	M or E	
5	750	900	•	610	760	•	•	M or E	•
6	900	900	•	760	760	•	•	M or E	•
7	900	1200	•	760	1060	•	•	M or E	•
8	1050	1050	•	910	910	•	•	M or E	
9	1050	1500	•	910	1360	•	•	M or E	•
10	1200	1200	•	1060	1060	•	•	M or E	•
11	1200	1800	•	1060	1660	•	•	M or E	•
12	1200	2400	•	1060	2260	•	•	M or E	•
13	1500	1500	•	1360	1360	■	•	M or E	•
14	1800	1800	•	1660	1660	■	•	M or E	•



M - Manual E - Electric ■ available within 48 hours ■ available within 5-7 days ■ only available in 30°
AOV's and Access Hatch available within 5 days All dimensions in mm

RG Econolite®

Durable, economical rooflights for a wide range of applications

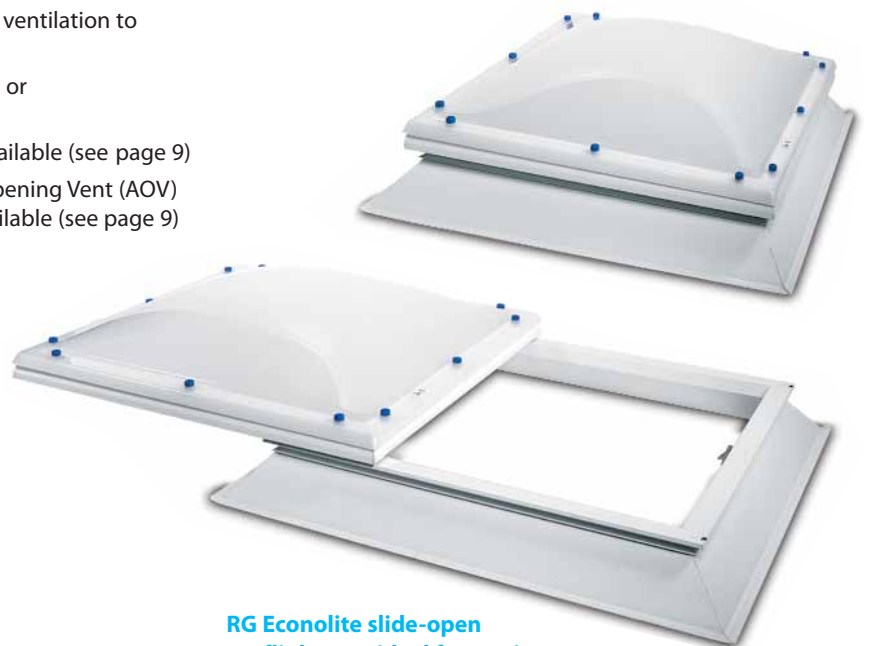
The Econolite range of modular rooflights provides practical, cost-effective ways to introduce natural light to all kinds of building interiors.

- Square or rectangular domes and pyramids and circular domes in a wide range of sizes
- Double, triple or quadruple skin glazing
- Total product U-value as low as 1.30 W/m²k, exceeding the requirement for Part L compliance
- Clear, diffused, bronze, opal glazing or Cool & Clear
- 150mm, 300mm or 450mm high uPVC upstands, requiring no additional insulation
- uPVC and insulated aluminium kerb adapters available, for installing to existing builders' kerbs
- 150mm high GRP upstands available for circular domes
- Polycarbonate glazing complies with current BS476 and BS EN13501 fire ratings
- Suitable for use with all popular flat roof finishes
- Secure fixing system prevents forced entry
- 20 year guarantee



Ventilation & opening options

- Mechanically- and electrically-operated hinged ventilation units
- Open/closed or permanent trickle ventilation to upstands
- Slide-open rooflights with manual or electric operation
- 90° opening access hatch units available (see page 9)
- 90° or 140° opening Automatic Opening Vent (AOV) versions for smoke ventilation available (see page 9)



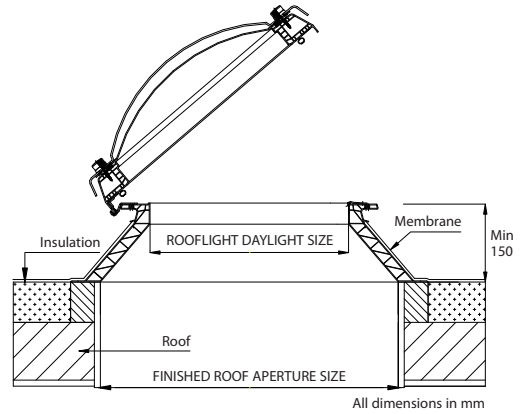
RG Econolite slide-open rooflights are ideal for use in windy locations and can be used as access hatches



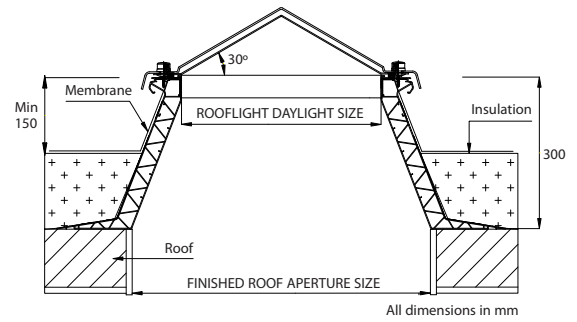
Download full technical specifications at
www.roofglaze.co.uk/modular-rooflights.html

Domes and Pyramids				Ventilation, Access Hatch and AOV's					
Finished Roof aperture sizes		uPVC upstand 150 mm, 300 mm, 450 mm	Rooflight Daylight sizes	Height - Pyramids 30°	Hinged ventilation	Slide-open ventilation	Operated by	Access hatch 90°	AOV's 90° or 140°

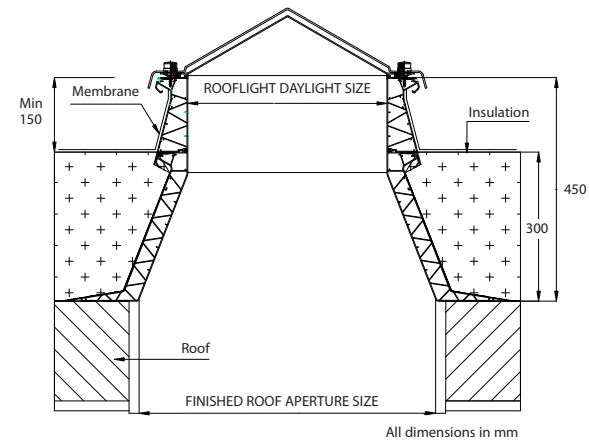
1	500	500		300	300				
2	500	1000	•	300	800				
3	500	1500	•	300	1300				
4	600	600	•	400	400	•	•		M or E
5	600	900	•	400	700	•	•	•	M or E
6	600	1200	•	400	1000	•	•	•	M or E
7	600	1700	•	400	1500	•	•	•	M or E
8	600	2100	•	400	1900	•	•	•	M or E
9	700	700	•	500	500	•	•	•	M or E
10	700	1200	•	500	1000	•	•	•	M or E
11	750	750	•	550	550	•	•	•	M or E
12	750	900	•	550	700	•	•	•	M or E
13	800	800	•	600	600	•	•	•	M or E
14	800	1100	•	600	900	•	•	•	M or E
15	800	1400	•	600	1200	•	•	•	M or E
16	800	2100	•	600	1900	•	•	•	M or E
17	900	900	•	700	700	•	•	•	M or E
18	900	1200	•	700	1000	•	•	•	M or E
19	900	1500	•	700	1300	•	•	•	M or E
20	900	1800	•	700	1600	•	•	•	M or E
21	950	950	•	750	750	•	•	•	M or E
22	950	1450	•	750	1250	•	•	•	M or E
23	950	1950	•	750	1750	•	•	•	M or E
24	1000	1000	•	800	800	•	•	•	M or E
25	1000	1300	•	800	1100	•	•	•	M or E
26	1000	1500	•	800	1300	•	•	•	M or E
27	1000	1800	•	800	1600	•	•	•	M or E
28	1000	2000	•	800	1800	•	•	•	M or E
29	1000	2400	•	800	2200	•	•	•	M or E
30	1000	2500	•	800	2300	•	•	•	M or E
31	1000	2700	•	800	2500	•	•	•	M or E
32	1000	3000	•	800	2800	•	•	•	M or E
33	1050	1050	•	850	850	•	•	•	M or E
34	1100	1100	•	900	900	•	•	•	M or E
35	1100	1400	•	900	1200	•	•	•	M or E
36	1200	1200	•	1000	1000	•	•	•	M or E
37	1200	1500	•	1000	1300	•	•	•	M or E
38	1200	1800	•	1000	1600	•	•	•	M or E
39	1200	2100	•	1000	1900	•	•	•	M or E
40	1200	2200	•	1000	2000	•	•	•	M or E
41	1200	2400	•	1000	2200	•	•	•	M or E
42	1200	2500	•	1000	2300	•	•	•	M or E
43	1200	2700	•	1000	2500	•	•	•	M or E
44	1200	3000	•	1000	2800	•	•	•	M or E
45	1250	1250	•	1050	1050	•	•	•	M or E
46	1250	2500	•	1050	2300	•	•	•	M or E
47	1300	1300	•	1100	1100	•	•	•	M or E
48	1400	1400	•	1200	1200	•	•	•	M or E
49	1400	1600	•	1200	1400	•	•	•	M or E
50	1400	2000	•	1200	1800	•	•	•	M or E
51	1400	2600	•	1200	2400	•	•	•	M or E
52	1500	1500	•	1300	1300	•	•	•	M or E
53	1500	1800	•	1300	1600	•	•	•	M or E
54	1500	2100	•	1300	1900	•	•	•	M or E
55	1500	2400	•	1300	2200	•	•	•	M or E
56	1500	2500	•	1300	2300	•	•	•	M or E
57	1500	2700	•	1300	2500	•	•	•	M or E
58	1500	3000	•	1300	2800	•	•	•	M or E
59	1600	1600	•	1400	1400	•	•	•	M or E
60	1700	1700	•	1500	1500	•	•	•	M or E
61	1800	1800	•	1600	1600	•	•	•	M or E
62	1800	2100	•	1600	1900	•	•	•	M or E
63	1800	2400	•	1600	2200	•	•	•	M or E
64	1800	2500	•	1600	2300	•	•	•	M or E
65	1800	2700	•	1600	2500	•	•	•	M or E
66	1800	3000	•	1600	2800	•	•	•	M or E
67	2000	2000	•	1800	1800	•	•	•	M or E
68	2220	2200	•	2000	2000	•	•	•	M or E
69	2400	2400	•	2200	2200	•	•	•	M or E



RG Econolite rooflight on 150mm uPVC upstand



RG Econolite rooflight on 300mm uPVC upstand



RG Econolite rooflight on 450mm uPVC upstand

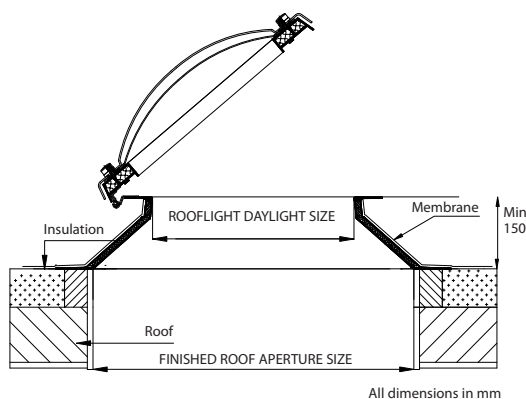
M - Manual E - Electric available within 48 hours All others: delivery schedule available on request

AOV's & Access Hatch available within 5 days Other sizes available on demand All dimensions in mm

Circular Domes

Finished Roof aperture sizes	GRP upstand 150 mm	Rooflight Daylight sizes	Opening ventilation section	Hinged ventilation	
1	650	•	400	•	M or E
2	750	•	500	•	M or E
3	850	•	600	•	M or E
4	950	•	700	•	M or E
5	1050	•	800	•	M or E
6	1150	•	900	•	M or E
7	1250	•	1000	•	M or E
8	1450	•	1200	•	M or E
9	1550	•	1300	•	M or E
10	1850	•	1600	•	M or E
11	2050	•	1800	•	M or E

M - Manual E - Electric ■ available within 48 hours ■ available within 5-7 days All dimensions in mm



All dimensions in mm

RG Econolite circular rooflight on 150mm GRP upstand



Refurbishment rooflights

- RG Econolite domes with a wider, 100 mm flange
- Design enables domes to be mounted to existing kerbs of varying widths, without a kerb adapter
- Square or rectangular in a wide range of sizes
- Glazing options: Double or triple clear and diffused UV protected polycarbonate
- Easy to install – supplied un-drilled to ensure fixing engagement



Refurbishment Rooflights

Nominal Rooflight sizes mm	Overall Kerb Dimensions inclusive Membrane		
	Minimum size mm	Maximum size mm	
1	600 x 600	510 x 510	610 x 610
2	600 x 900	510 x 810	610 x 910
3	600 x 1200	510 x 1120	610 x 1220
4	600 x 1800	510 x 1730	610 x 1830
5	750 x 750	660 x 660	760 x 760
6	750 x 790	660 x 810	760 x 910
7	900 x 900	810 x 810	910 x 910
8	900 x 1200	810 x 1120	910 x 1220
9	900 x 1800	810 x 1730	910 x 1830
10	1050 x 1050	970 x 970	1070 x 1070
11	1050 x 1500	970 x 1420	1070 x 1520
12	1200 x 1200	1120 x 1120	1220 x 1220
13	1200 x 1800	1120 x 1730	1220 x 1830
14	1200 x 2400	1120 x 2340	1220 x 2440
15	1500 x 1500	1420 x 1420	1520 x 1520
16	1800 x 1800	1730 x 1730	1830 x 1830

■ available within 2 -5 days All dimensions in mm



RG Flatglaze®

Square, rectangular or circular rooflights with a sleek profile

RG Flatglaze rooflights are the ideal choice for applications where the raised profile of conventional modular rooflights is not practical or desirable.

- Square, rectangular and circular rooflights available in a wide range of sizes
- 28mm thick double glazed glass units comprising 6mm clear toughened glass outer with 60mm sand blasted frame; 18mm argon-filled cavity; and 6.4mm Low E laminated or 6mm toughened inner pane
- Extruded aluminium polyester powder coated frame, in RAL 9010 (white) or RAL 9005 (black)
- Clear or tinted glazing options
- Installed to a minimum 5° sloping timber kerb
- Total product U-value of 1.4 W/m²k, exceeding the requirement for Part L compliance
- Suitable for use with all popular flat roof finishes
- 10 year guarantee

Flatglaze rooflights

Finished Roof aperture sizes

FG-1	600 x 600	FG-8	900 x 1200
FG-2	600 x 900	FG-9	900 x 1500
FG-3	600 x 1200	FG-10	900 x 1800
FG-4	600 x 1500	FG-11	1000 x 1000
FG-5	600 x 1800	FG-12	1000 x 1800
FG-6	750 x 750	FG-13	1200 x 1200
FG-7	900 x 900	FG-14	1500 x 1500

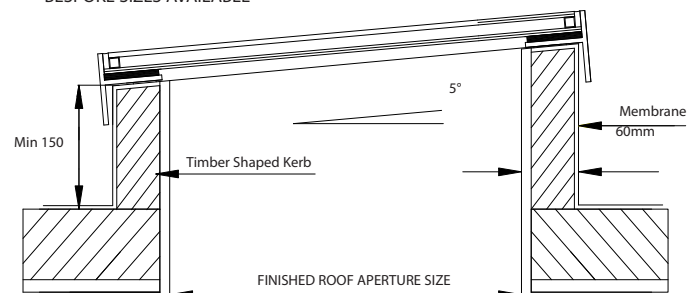
Available within 2-4 weeks

Square & rectangular custom sizes are available up to 3.0m² in one double glazed pane of glass

Circular custom sizes are available up to 8.0m, 1.8m diameter in a single double glazed pane of glass

All dimensions in mm

BESPOKE SIZES AVAILABLE



All dimensions in mm



Centre pane
U-value
1.1
W/m²k



Download full technical specifications at
www.roofglaze.co.uk/modular-rooflights.html

RG Automatic opening vents (AOVs)

Automatic smoke ventilation in the event of fire

- RG Thermalite and Econolite rooflights can be specified as automatic opening vents (AOVs)
- RG AOVs are designed to open automatically in the event of a fire, in order to vent smoke to enable safe evacuation of the building
- Units open within 60 seconds to 140° angle – EN12101-2 compliant
- Operation is by 24V DC IP 40 rated linear actuator, for use at ambient temperatures between -20°C and +60°C to German VdS 2580, for 2hrs up to 110°C
- Supplied with a 2.5 m cable
- Metal or uPVC upstands
- Part B of the Building Regulations covers fire and the Approved Document (AD B) Volume 2 provides guidance applicable to flats and non-dwelling.
- In several cases, AD B specifies the minimum 'free area' of ventilation- generally either 1m² or 1.5m²
- For dimensions and availability, see RG Thermalite and RG Econolite tables on pages 3 and 5



RG Access hatches

Safe, easy access to the roof

- RG Thermalite and Econolite rooflights can be specified as access hatches hinged to 90°, given easy access to roof areas
- Telescopic struts hold the rooflight in an open position
- A locking handle secures the rooflight in a closed position
- For dimensions and availability, see RG Thermalite and RG Econolite tables on pages 3 and 5



Technical information

Maintenance

In normal weather conditions, only occasional cleaning is necessary. Do not clean when sun is shining. First spray the rooflight surface with clean water; use only diluted household detergent; rinse surface clean with lots of water.

IMPORTANT: Do not use chemical solvent or abrasive cleaners.

Keep your Roofglaze Rooflights clean, to allow the maximum daylight into your building.

Handling and Storage

Great care must be taken when handling rooflights. Polycarbonate rooflights are supplied with a protective wrapping or boxed.

Rooflights should never be stacked; they should be stored on their side in a dry area away from direct sunlight.

Services

Installation can be undertaken as an additional option. Full technical backup is available, with a nationwide survey service.

48 hours delivery on all standard products, please check our delivery program.

Full after sales service is available.

Condensation

Whilst every effort is made to minimise condensation forming on our rooflights, climatic conditions (extremely low external and high internal temperatures) may result in condensation forming on inner surfaces.

Product testing

All Roofglaze rooflights have been successfully tested by Namas-approved laboratories to the highest window standards. Thermal performance tests have been conducted by the NPL (National Physical Laboratory). Hot box test results and certificate numbers are available on request.

Design and manufacture

Roofglaze Ltd possesses full technical design facilities. Standard drawings of our rooflights are available on request.

Roofglaze Ltd

Units 30 - 31 Little End Road
Eaton Socon, St. Neots
Cambridgeshire PE19 8JH

Tel 01480 474797

Fax 01480 474774

Email sales@roofglaze.co.uk

www.roofglaze.co.uk



Roofglaze

Standards & compliance

All Roofglaze rooflights are manufactured to ISO 9001:2000 and will achieve the performance requirements for controlled fittings in 'Part L' of the building regulations. All Roofglaze modular rooflights conform with the requirements of 89/106/EEC/ EN 1873:2005

Fire Regulations

All polycarbonate supplied is minimum 3 mm thick. Polycarbonate complies with current BS476 Class 1 and BS EN 13501 Class B-s2-d0 fire rating. The material is classified as TP(a) and achieves a class 1 surface spread of flame classification. As such the rooflight can be regarded as having an AA designation.

Safety

All Roofglaze rooflights have been tested according to ACR(M) 001:2005 and can be classified as class B 'non fragile'.

Daylight benefits

Reduced carbon emissions:

- Independent research proves conclusively that rooflights can save energy in many applications.
- The greater the rooflight area the greater the potential saving.
- Rooflights make a positive contribution to meeting the requirements of Part L of the Building Regulations.

Health, work and study benefits

- Natural daylight is vital to many aspects healthy living. It has a profound affect on stimulation and regulation of the human body.
- It provides relaxed, comfortable environments that are - conducive to improved concentration, resulting in enhanced productivity in offices, factories and student performance at classrooms.
- In retail environments, natural light can contribute to improved sales, due to products appearing more attractive.

Important note

Information supplied in this brochure is based on our general experience and best knowledge.

Roofglaze Ltd's policy is one of continuous product improvement and we reserve the right to alter specifications without notice at any time.