

## Glass Ridgelights



*The Roofglaze range of high quality rooflights are designed to provide the maximum efficient distribution of natural light, together with a variety of ventilation options.*

- Building Regulation Part L compliant design to achieve low U-value targets
- Non Fragile in accordance with British Regulations
- Ventilation options for Natural Ventilation in accordance with Building Regulation Part F
- Automatic Opening Vents for Smoke Ventilation

RG self supporting Ridgelights are available in Hip End or Gable End structures, designed to be installed to a weathered builders kerb.

All Ridgelights are purpose made to suit variable overall kerb sizes, within a span range from 0.6m to 7m and of any length.

RG Ridgelights are manufactured from Mill Finish or Polyester Powder Coated Aluminium Extrusions and glazed with hermetically sealed Argon filled Double Glazed units.

## Standard Glazing Options:

Glazing	Glazing Options	U-Value	Light Transmission	G-Value
Outer: 4mm Toughened Cavity: 16mm Argon Inner: 6.4mm Laminated with soft Low-E coating	- Clear	1.2 W/m <sup>2</sup> K	79%	0.70
	- Self Cleaning	1.2 W/m <sup>2</sup> K	76%	0.67
	- Tinted Bronze	1.2 W/m <sup>2</sup> K	53%	0.51
Outer: 6mm Toughened Cavity: 16mm Argon Inner: 6.4mm Laminated with soft Low-E coating	- Clear	1.2 W/m <sup>2</sup> K	78%	0.68
	- Solar Control	1.1 W/m <sup>2</sup> K	67%	0.41
	- Self Cleaning	1.2 W/m <sup>2</sup> K	76%	0.65
	- Tinted Bronze	1.2 W/m <sup>2</sup> K	43%	0.42

Other glazing options or specification are available on request

RG Ridgelights are designed to standard loadings of 640 N/m<sup>2</sup> (wind) and 750 N/m<sup>2</sup> (snow) and in accordance with the following British Standards:

BS 6375 : Part 1 : Weather Tightness

BS EN 1026 : Air Permeability

BS EN 1027 : Water Tightness Test

BS EN 12211 : Wind Resistance Test

Standard pitch angle is 30°

Other pitch angles from 15° to 60° can be accommodated by bespoke design.

### **Standard 30° Ridgelights with stepped edge glazing detail**

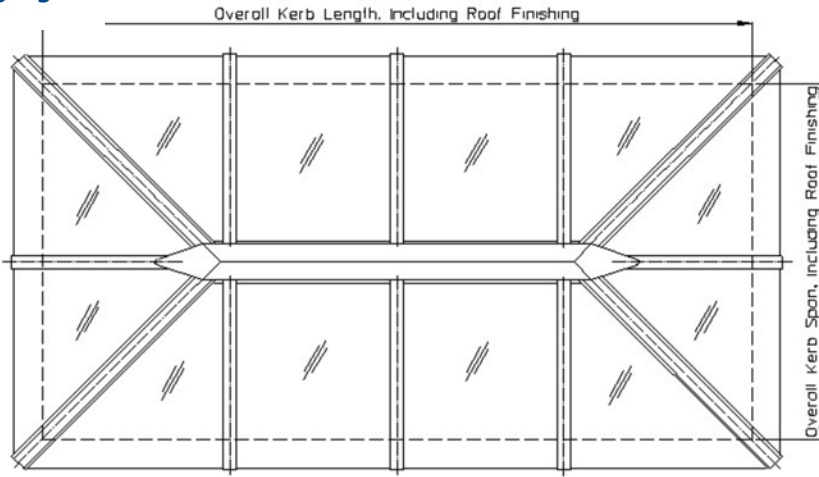
are available for an overall kerb span range from 600mm to 3000mm

### **Bespoke variable pitch Ridgelights**

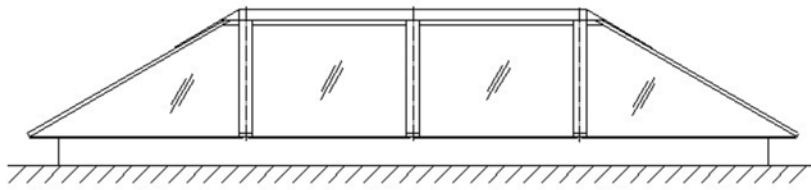
are available for an overall kerb span range from 600mm to 7000mm minimum pitch angle is 15°

For further information please contact our Sales or Technical Department

### Hip Ended Ridgelight

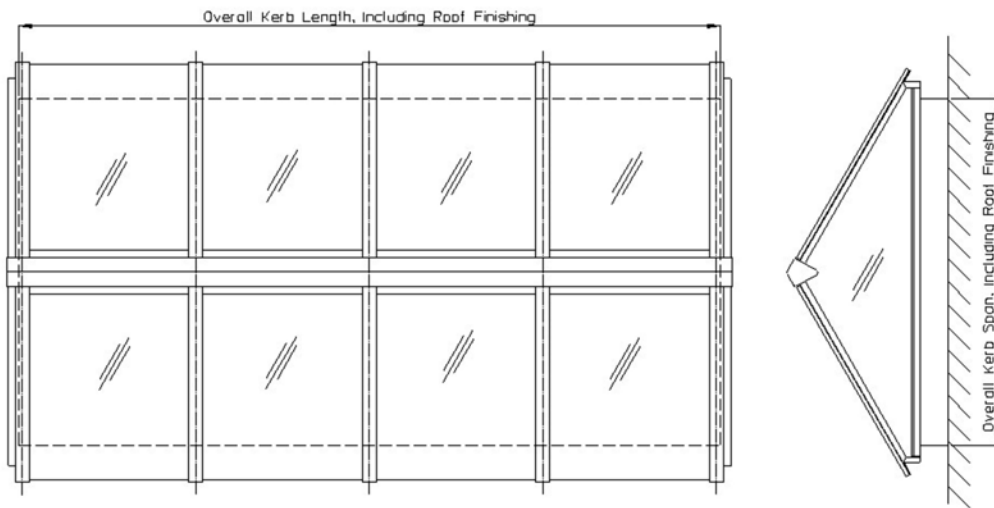


Plan View



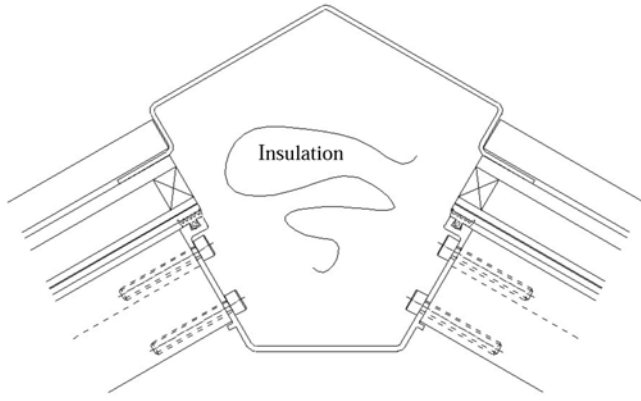
Side Elevation

### Gable Ended Ridgelight

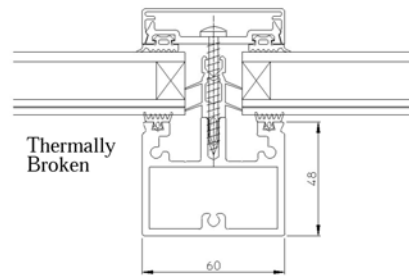


Plan View

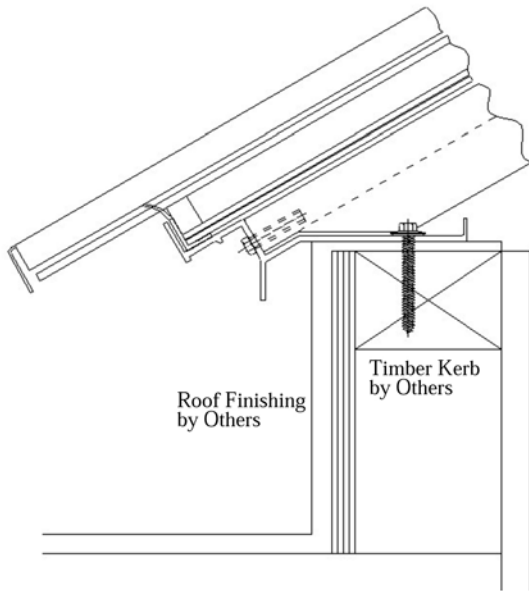
End Elevation



**Ridge Section View**

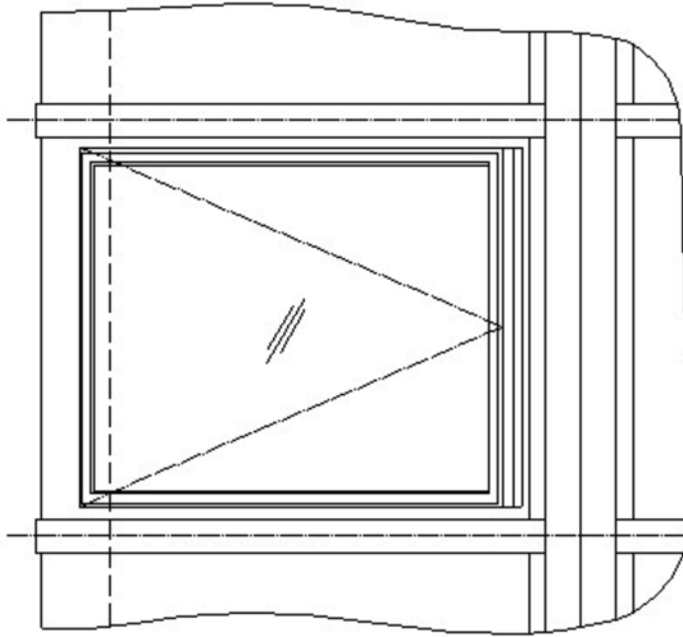


**Rafter Section View**

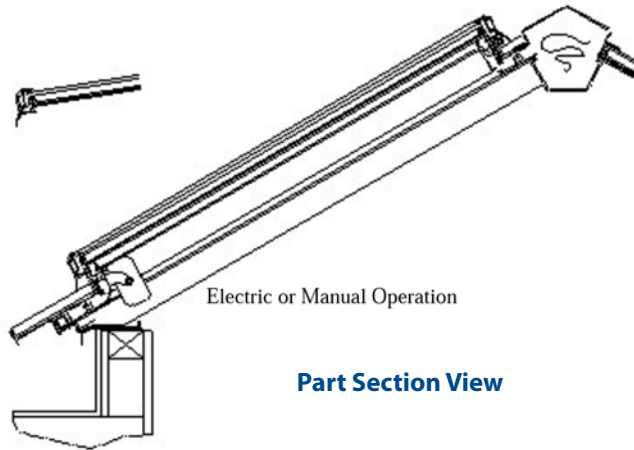


**Kerb Section View**

## Top Hinged Opening Vent



Part Plan View



Part Section View

Roofglaze Ltd  
Units 30 - 31  
Little End Road  
Eaton Socon  
St. Neots  
Cambridgeshire  
PE19 8JH

**Tel** 01480 474797  
**Fax** 01480 474774  
**Email** sales@roofglaze.co.uk

[www.roofglaze.co.uk](http://www.roofglaze.co.uk)



# Roofglaze