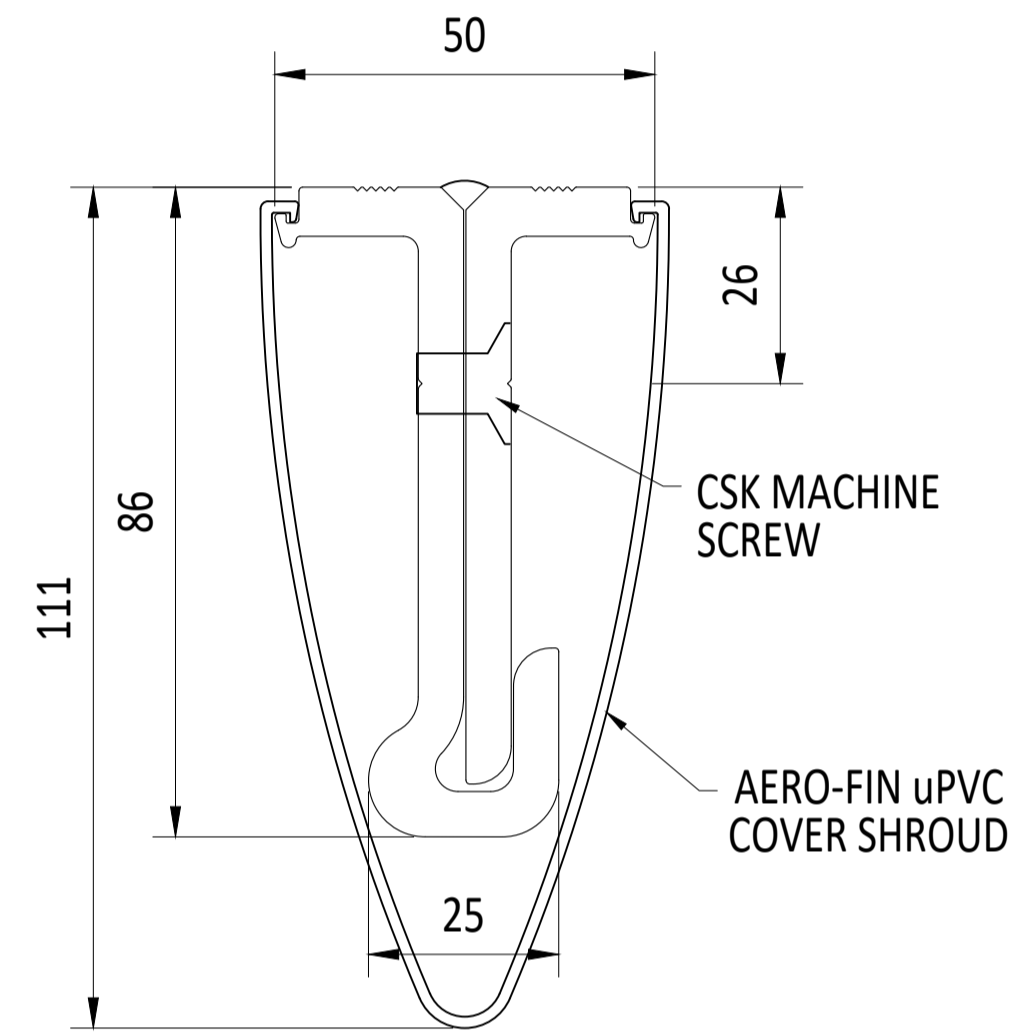
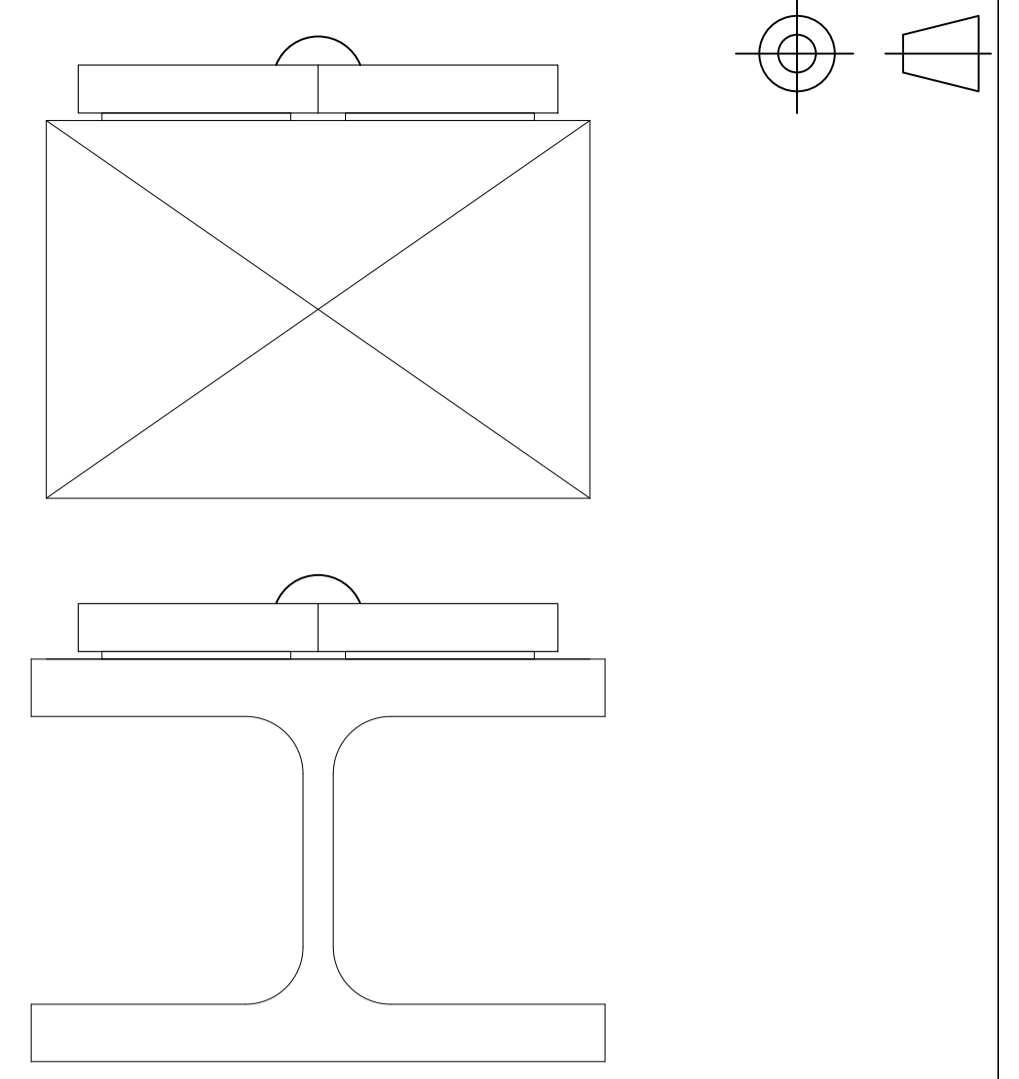


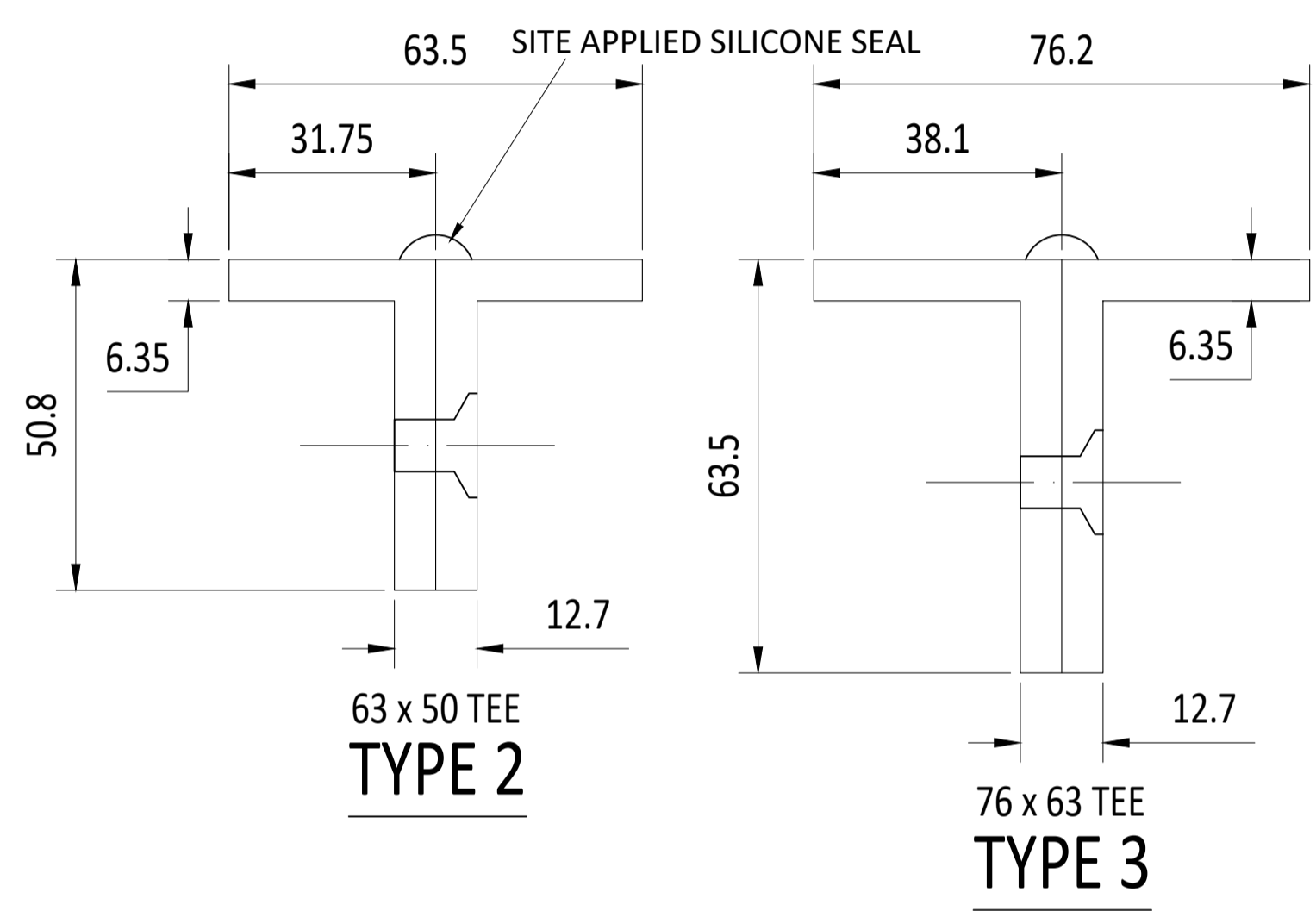
TYPICAL ROOFLIGHT PLAN VIEW (NTS)

GLAZING BARS CAN BE CUT DOWN TO SIT ON INTERMEDIATE STRUCTURAL SUPPORTS. SUPPORTS DESIGNED AND SUPPLIED BY OTHERS

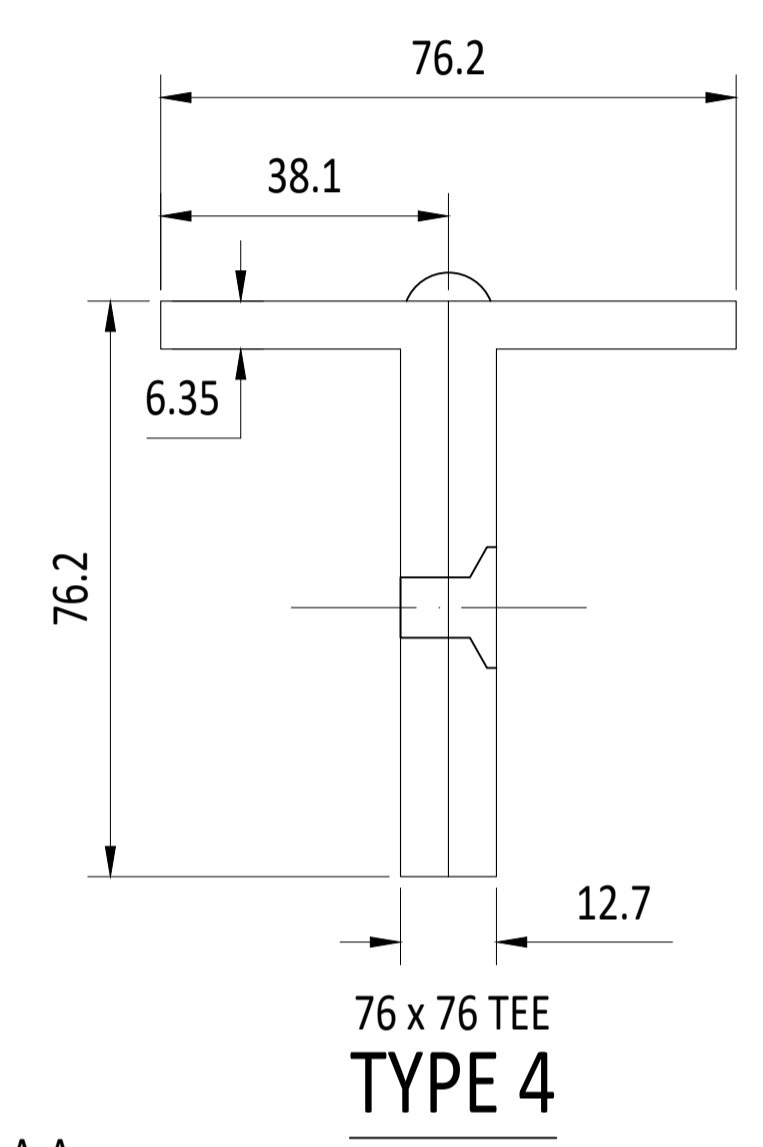


SECTION A-A  
INTERLOCKING ANGLES CONNECTED BY STAINLESS STEEL CSK M8 MACHINE SCREWS.  
**TYPE 1**

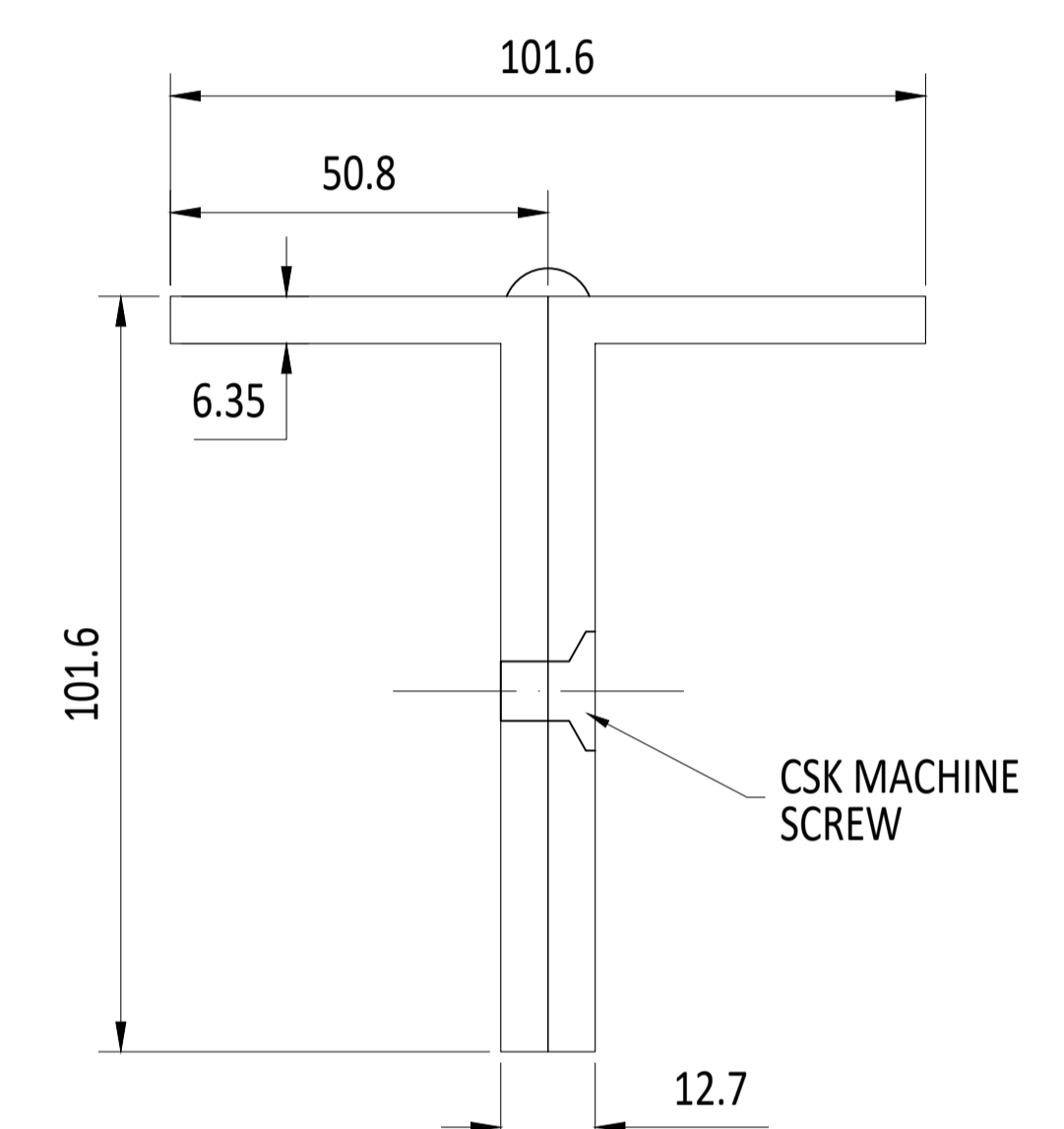
USE OF ANGLES IS DEPENDANT ON SIZE OF ROOFLIGHT, GLASS SPEC, ROOFLIGHT LOCATION AND DESIGN LOADS.



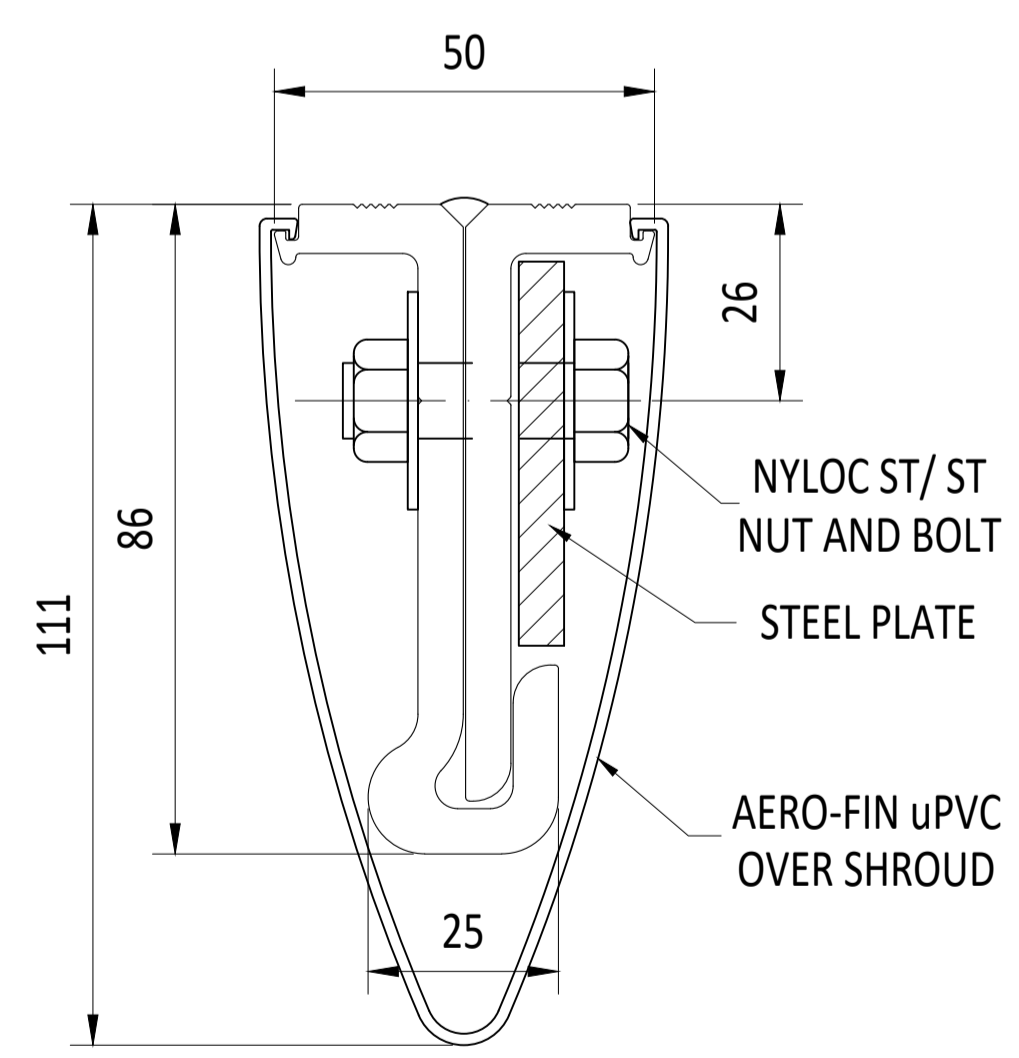
SECTION A-A  
'L' BACK-TO-BACK ANGLES CONNECTED BY STAINLESS STEEL CSK M8 MACHINE SCREWS.



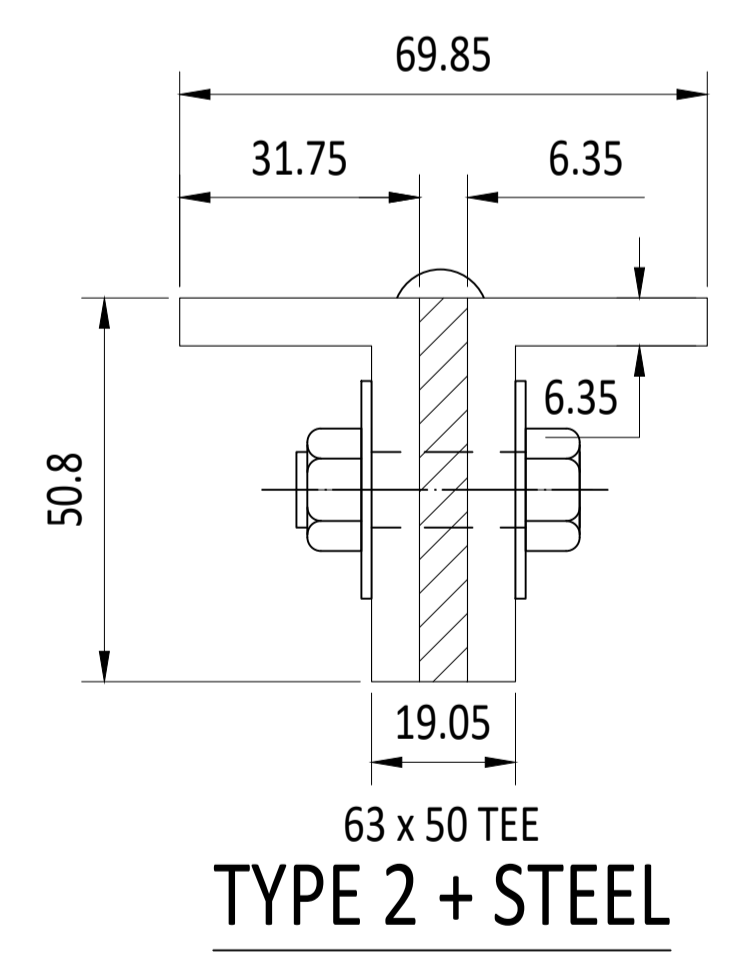
**TYPE 4**



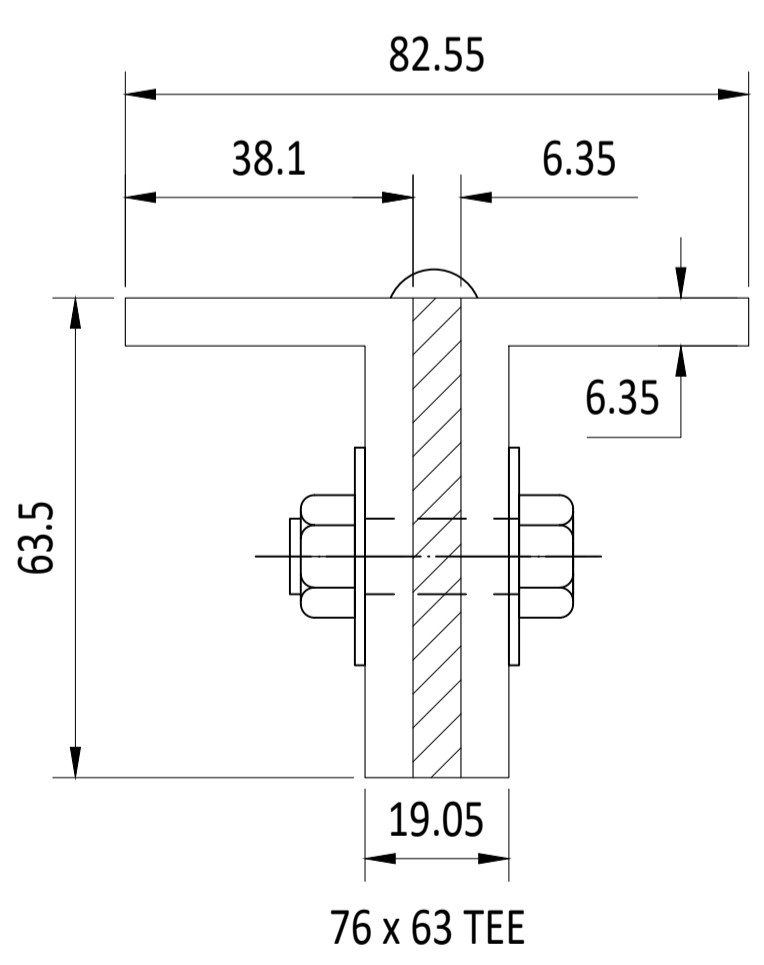
**TYPE 5**



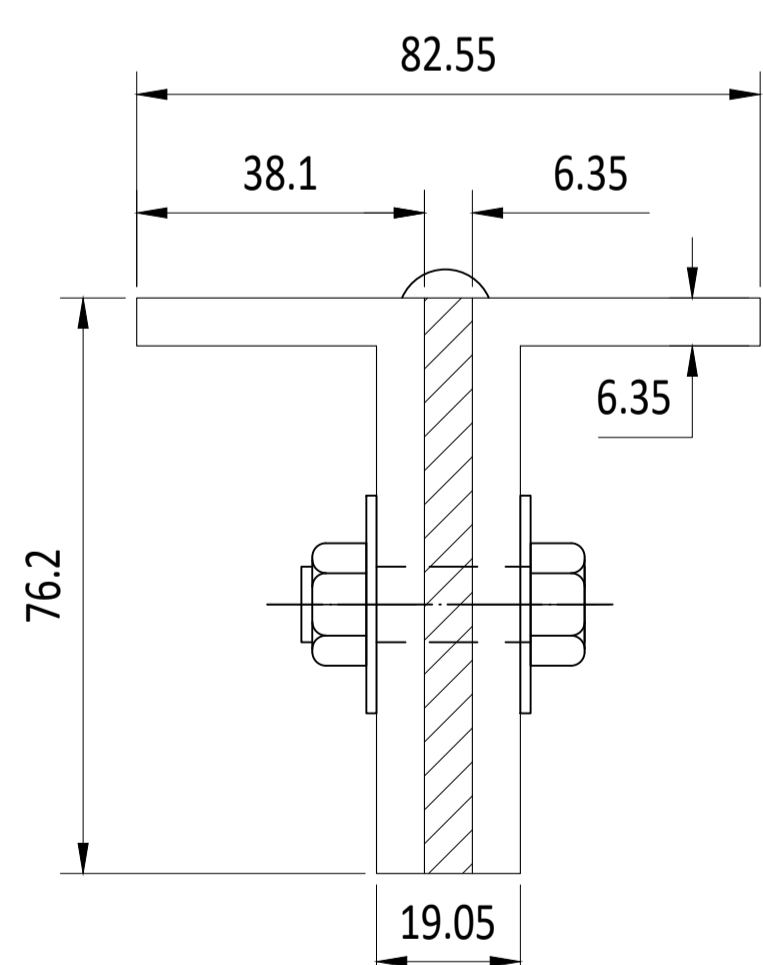
SECTION A-A  
INTERLOCKING ANGLES CONNECTED BY STAINLESS STEEL NUT & BOLTS.  
**TYPE 1 + STEEL**



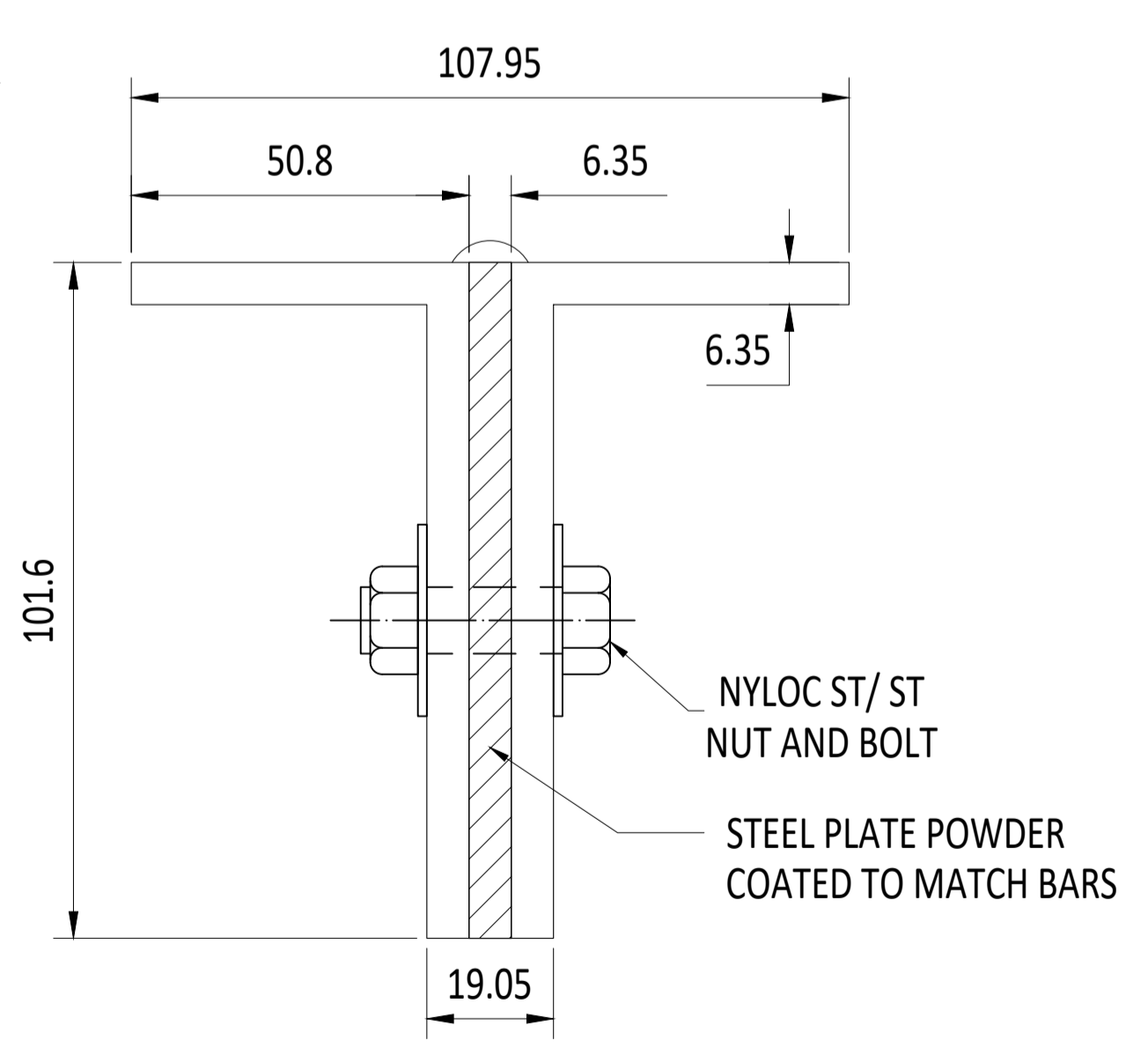
**TYPE 2 + STEEL**



**TYPE 3 + STEEL**



**TYPE 4 + STEEL**



**TYPE 5 + STEEL**

SECTION A-A  
'L' BACK-TO-BACK ANGLES CONNECTED BY STAINLESS STEEL NUT & BOLTS WITH STAINLESS STEEL REINFORCEMENT.

IF IN DOUBT ASK DO NOT SCALE	IT IS THE RESPONSIBILITY OF THE KERB DESIGNER TO ENSURE THE KERB WILL BE STRUCTURALLY ADEQUATE TO HOLD THE ROOFLIGHT. KERBS SHOWN ON THESE DRAWINGS ARE FOR ILLUSTRATION PURPOSES ONLY.	The manufacturer would advise an installation with a minimum pitch of 5° for rooflight units to minimize water pooling. Whilst the product can be installed flat without detriment to the warranty, the manufacturer cannot be held responsible for any excessive pooling of water to the surface of the rooflight, post installation, if installed without an adequate fall, larger units may require a greater fall. The final decision on amount of fall required must be made by the client and relayed to the installer.	THIS DRAWING MUST NOT BE COPIED OR PASSED TO A THIRD PARTY WITHOUT WRITTEN CONSENT FROM THE MANUFACTURER.	CHECKED R. P.	TOLERANCE UNLESS OTHERWISE STATED ±5	MATERIAL 6063 T6 ALUMINIUM	FINISH POLYESTER POWDER COATING COLOUR T.B.C.	REV	SIGNED	CHECKED	DATE	Roofglaze Rooflights Ltd. 11 Howard Road, Eaton Socon, St Neots, Cambs, PE19 8ET Telephone 01480 474797	DRAWING N°. RGR-S-20Z	REV	ROOFGLAZE
				DATE 08-09-2021											
SKYWAY™				DRAWN D. PUGH				TITLE: SKYWAY MULTI-PANE FLATGLASS GLAZING BAR OPTIONS							