

NOTES

X No. REQUIRED

GLASS SPEC:

OUTER : 6mm HST TOUGHENED GLASS
 CAVITY : 16mm ARGON FILLED + WARM EDGE SPACER + DC3363
 UV RESISTANT SILICONE EDGE SEAL
 INNER : 6mm HST TOUGHENED OR 8.8mm LAMINATED GLASS +
 POLISHED EDGES + LOW E COATING

- LIGHT TRANSMISSION = 78 %
- CENTRE PANE U VALUE = 1.1 W/M².K
- SOLAR G VALUE = 0.63 (SOLAR CONTROL OPTIONS AVAILABLE)
- ACOUSTIC REDUCTION = 34 (6/6) 39 (6/8.8) RW DB
- AIR PERMEABILITY = CWCT CLASS A4
- WEATHER RESISTANCE = CWCT CLASS A7
- WIND RESISTANCE = CWCT CLASS E2400
- AA FIRE-RATED: AA DESIGNATION (NATIONAL CLASS) OR BROOF (T4) EUROPEAN CLASS AND EURO CLASS A1 NON-COMBUSTIBLE
- WEIGHT = 45 KG/m² PER PANEL/ SECTION

INTERNAL OPENING SIZE RELEVANT TO GLAZING BAR DESIGN.

GLASS BONDED TO FRAME WITH GLAZING SECURITY TAPE.

KERB DETAILS SHOWN INDICATIVE DETAILED DESIGN BY OTHERS.

MIN. 5° FALL RECOMMENDED TO HELP SHED WATER. LARGER UNITS MAY REQUIRE STEEPER PITCHES.

PRODUCT U-VALUE = AS LOW AS 0.7 W/m².K (u-values are size dependant)

MAX DOWN SLOPE = 3.2m. OVER 2m STEEL REQUIRED TO GLAZING BARS. OVER 3.2m SPECIAL DESIGN REQUIRED.

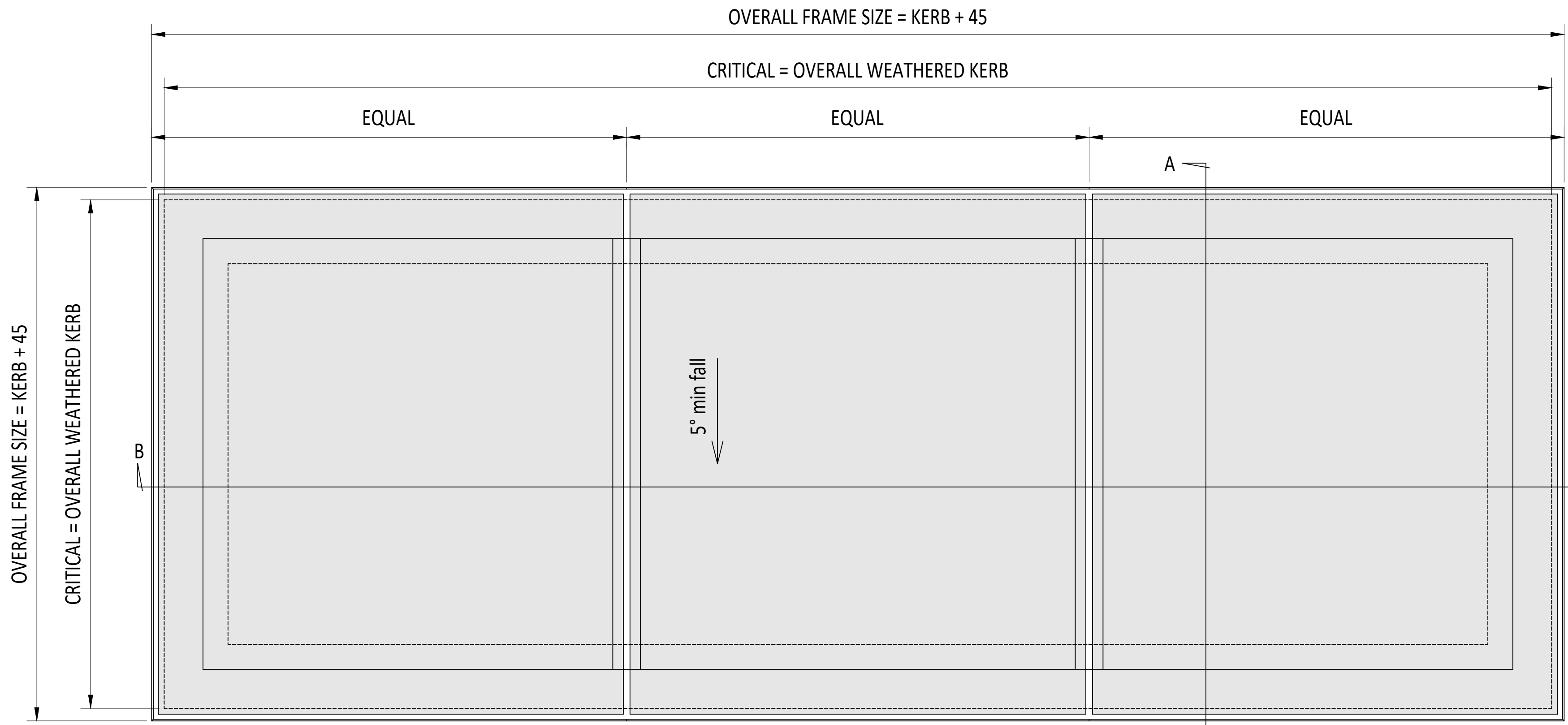
DESIGN LOADS: 750N/m² WIND 640N/m² SNOW AS STANDARD OTHER LOADS TO BE SPECIFIED BY CLIENT.

IF ANNEALED LAMINATE IS USED, MAX. KERB DIM = 130mm.

SILICONE **MUST** BE APPLIED TO TOP OF GLAZING BARS AS WELL AS BETWEEN GLASS IGU'S. A FULL SEAL MUST BE ACHIEVED.

INTERLOCKING GLAZING BAR SHOWN. ALL BAR TYPES ARE ROOFLIGHT SIZE DEPENDANT. SEE DWG: RG-80-20-20Z FOR TYPES.

uPVC SHROUD ONLY AVAILABLE WITH INTERLOCKING GLAZING BAR.

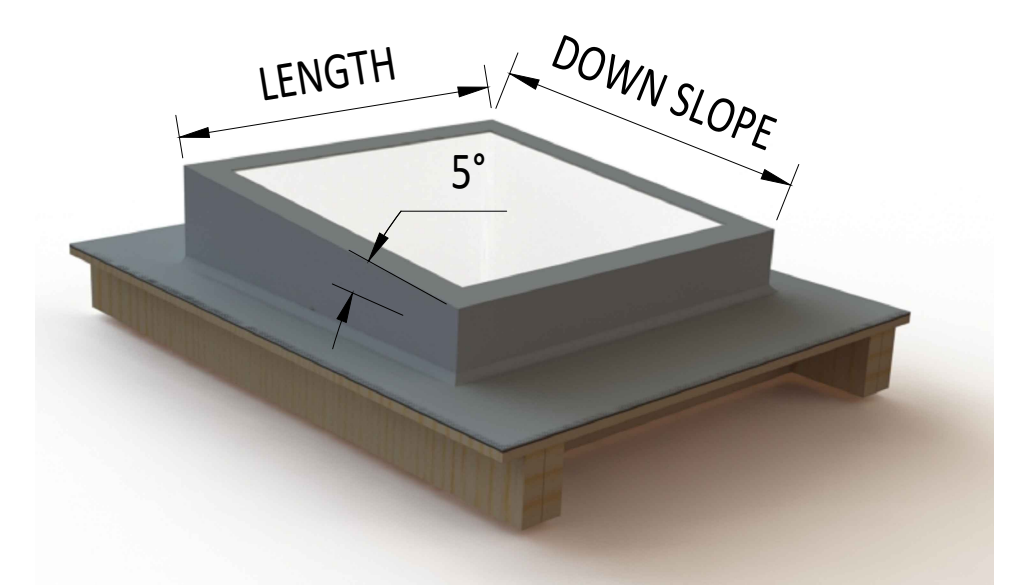


NOTE:
 GLAZING BAR DESIGN IS DEPENDANT UPON A NUMBER OF FACTORS; GLASS STRENGTH, GLASS WEIGHT, KERB SPAN, DESIGN LOADS, AND BAY CENTRES. INTERLOCKING GLAZING BARS AS SHOWN WILL NOT BE AVAILABLE AT EVERY SIZE OF ROOFLIGHT. ASK RGR TECHNICAL FOR THE GLAZING BAR TYPE FOR YOUR ROOFLIGHT DESIGN. IF THE INTERLOCKING BAR IS NOT AVAILABLE, NOR IS A COVER SHROUD.

**EXTERNAL PLAN VIEW
 TRUE VIEW ON SLOPE**

GENERIC NUMBER OF SECTIONS SHOWN.
 NO LIMIT TO NUMBER OF SECTIONS.

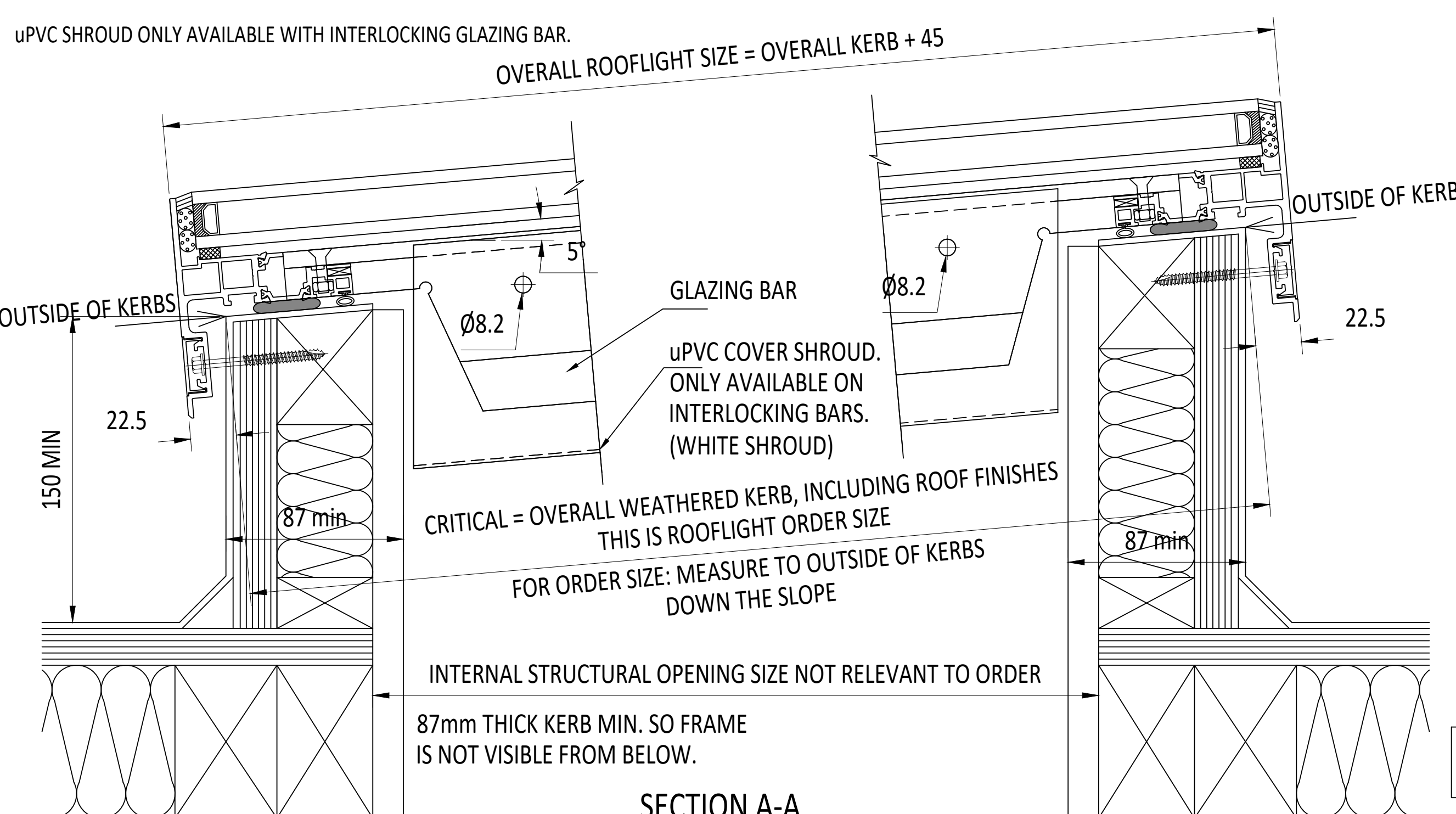
CDM :HAZARD IDENTIFICATION - HANDLING MATERIALS
 BE AWARE OF SHARP EDGES AND CORNERS WHEN HANDLING MATERIALS. MOST EDGES AND CORNERS WILL BE DEBURR'D BUT THERE IS STILL A SMALL RISK. WEAR APPROPRIATE PPE REQUIRED FOR THE TASK. THE MHOR 1992 SET OUT A CLEAR RANKING OF MEASURES FOR DEALING WITH RISKS FROM MANUAL HANDLING. THESE ARE:
 • FIRST - AVOID HAZARDOUS MANUAL HANDLING OPERATIONS SO FAR AS IS REASONABLY PRACTICABLE;
 • SECOND - ASSESS ANY HAZARDOUS MANUAL HANDLING OPERATIONS THAT CANNOT BE AVOIDED; AND
 • THIRD - REDUCE THE RISK OF INJURY SO FAR AS IS REASONABLY PRACTICABLE.
 HAND PROTECTION (MANDATORY) TO BS EN 388:1994.
 ROOFLIGHTS MUST ONLY BE INSTALLED BY COMPETENT CONTRACTORS.
 DANGER OF DAMAGING GLASS IF IT IS WALKED UPON. GLASS IS CLASSED AS NON-FRAGILE BUT SHOULD NOT BE WALKED ON. USE SPREADER BOARDS.
 REFER TO RISK ASSESSMENT FOR FURTHER DETAILS.



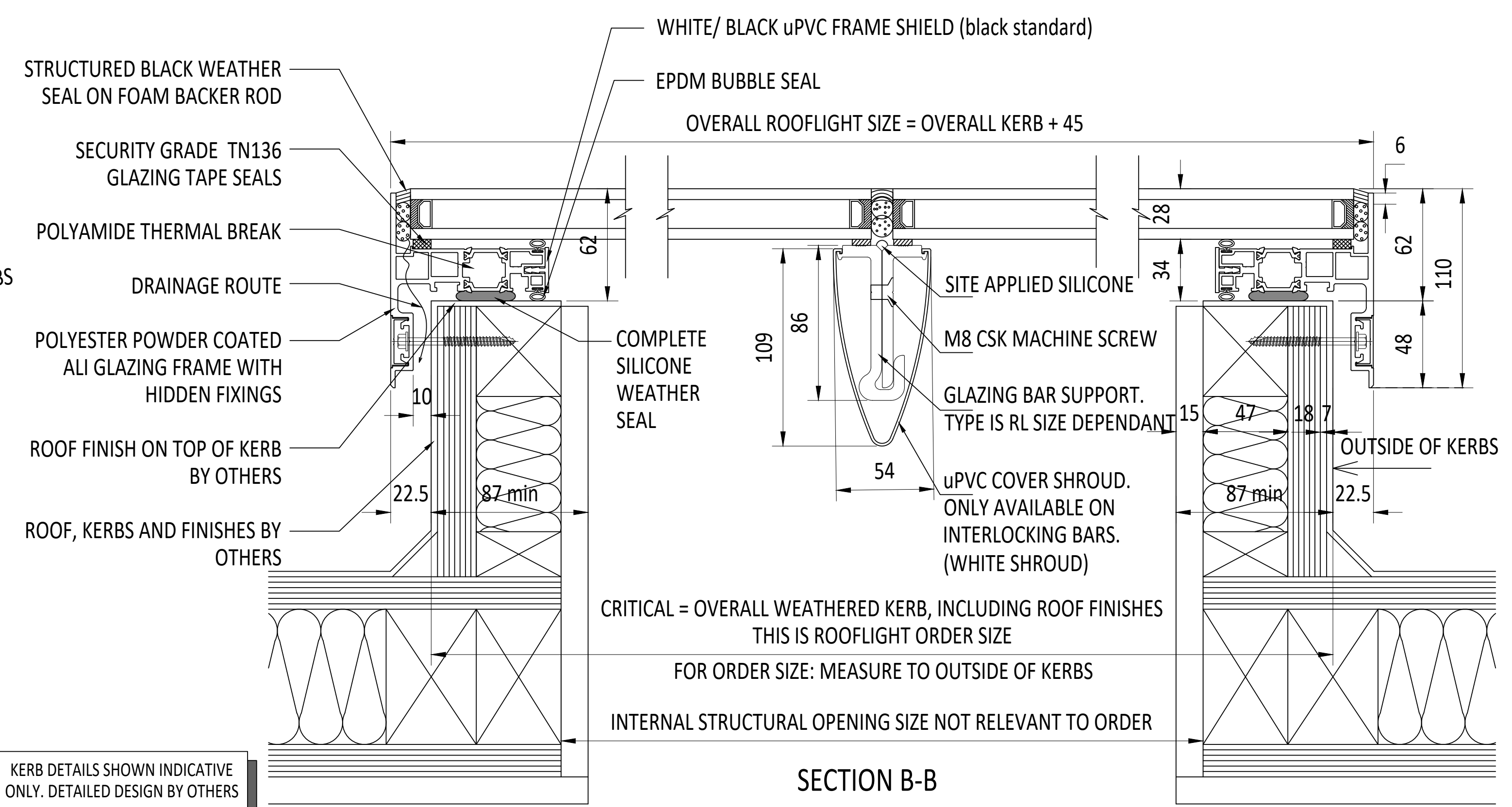
3D EXAMPLE OF KERB



GENERIC 3D RENDER IMAGING OF FRAME



SECTION A-A



SECTION B-B

IF IN DOUBT ASK DO NOT SCALE

IT IS THE RESPONSIBILITY OF THE KERB DESIGNER TO ENSURE THE KERB WILL BE STRUCTURALLY ADEQUATE TO HOLD THE ROOFLIGHT. KERBS SHOWN ON THESE DRAWINGS ARE FOR ILLUSTRATION PURPOSES ONLY.

The manufacturer would advise an installation with a minimum pitch of 5° for rooflight units to minimize water pooling. Whilst the product can be installed flat without detriment to the warranties, the manufacturer cannot be held responsible for any excessive pooling of water to the surface of the rooflight, post installation, if installed without an adequate fall. Larger units may require a greater fall. The final decision on amount of fall required must be made by the client and relayed to the installer.

THIS DRAWING MUST NOT BE COPIED OR PASSED TO A THIRD PARTY WITHOUT WRITTEN CONSENT FROM THE MANUFACTURER.

CHECKED	A. PHILLIPS
DATE	23-07-2020
DRAWN	D. PUGH
DATE	23-07-2020

TOLERANCE UNLESS OTHERWISE STATED	±5
DIMENSIONS IN	MM
SCALE	1:2, 1:6 @ A1

KERB DETAILS SHOWN INDICATIVE ONLY. DETAILED DESIGN BY OTHERS

MATERIAL	ALUMINIUM + GLASS
FINISH	STANDARD POLYESTER POWDER COAT OPTIONS: RAL 7016 ANTHRACITE GREY, RAL 9005 BLACK, RAL 9010 WHITE, 30% GLOSS

REV	AMENDMENTS	SIGNED	CHECKED	DATE

Roofglaze Rooflights Ltd.
 11 Howard Road, Eaton Socon,
 St Neots, Cambs, PE19 8ET
 Telephone 01480 474797

DRAWING N°	RGR-MP-20-200-INT
TITLE	SKYWAY FIXED MULTI PANE FLATGLASS - INTERLOCKING GB

REV	A1
SIZE	A1
Lighting by nature™	

