

NOTES

X No. REQUIRED

GLASS SPEC:  
 OUTER : 6mm HST TOUGHENED GLASS  
 CAVITY : 16mm ARGON FILLED + WARM EDGE SPACER + DC3363  
 UV RESISTANT SILICONE EDGE SEAL  
 MIDDLE: 6mm HST TOUGHENED GLASS + LOW E COATING  
 CAVITY : 16mm ARGON FILLED + WARM EDGE SPACER + DC3363  
 UV RESISTANT SILICONE EDGE SEAL  
 INNER : 6mm HST TOUGHENED OR 8.8mm LAMINATED GLASS  
 +POLOSHED EDGES + LOW E COATING

- LIGHT TRANSMISSION = 65 %
- CENTRE PANE U VALUE = 0.8 W/M<sup>2</sup>.K
- SOLAR G VALUE = 0.49 (SOLAR CONTROL OPTIONS AVAILABLE)
- ACOUSTIC REDUCTION = 34 (6/6) 39 (6/8.8) RW DB
- AIR PERMEABILITY = CWCT CLASS A4
- WEATHER RESISTANCE = CWCT CLASS A7
- WIND RESISTANCE = CWCT CLASS E2400
- AA FIRE-RATED: AA DESIGNATION (NATIONAL CLASS) OR BROOF (T4) EUROPEAN CLASS AND EURO CLASS A1 NON-COMBUSTIBLE
- WEIGHT = 92 KG PER PANEL/SECTION (SIZE DEPENDENT)
- TOTAL WEIGHT = 184 KG (SIZE DEPENDENT)

INTERNAL OPENING SIZE RELEVANT TO GLAZING BAR DESIGN.

GLASS BONDED TO FRAME WITH GLAZING SECURITY TAPE.

KERB DETAILS SHOWN INDICATIVE DETAILED DESIGN BY OTHERS.

MIN. 5° FALL RECOMMENDED TO HELP SHED WATER. LARGER UNITS MAY REQUIRE STEEPER PITCHES.

PRODUCT U-VALUE = AS LOW AS 0.4 W/m<sup>2</sup>.K (SIZE DEPENDENT)

MAX DOWN SLOPE = 3.2m. OVER 2m STEEL REQUIRED TO GLAZING BARS. OVER 3.2m SPECIAL DESIGN REQUIRED.

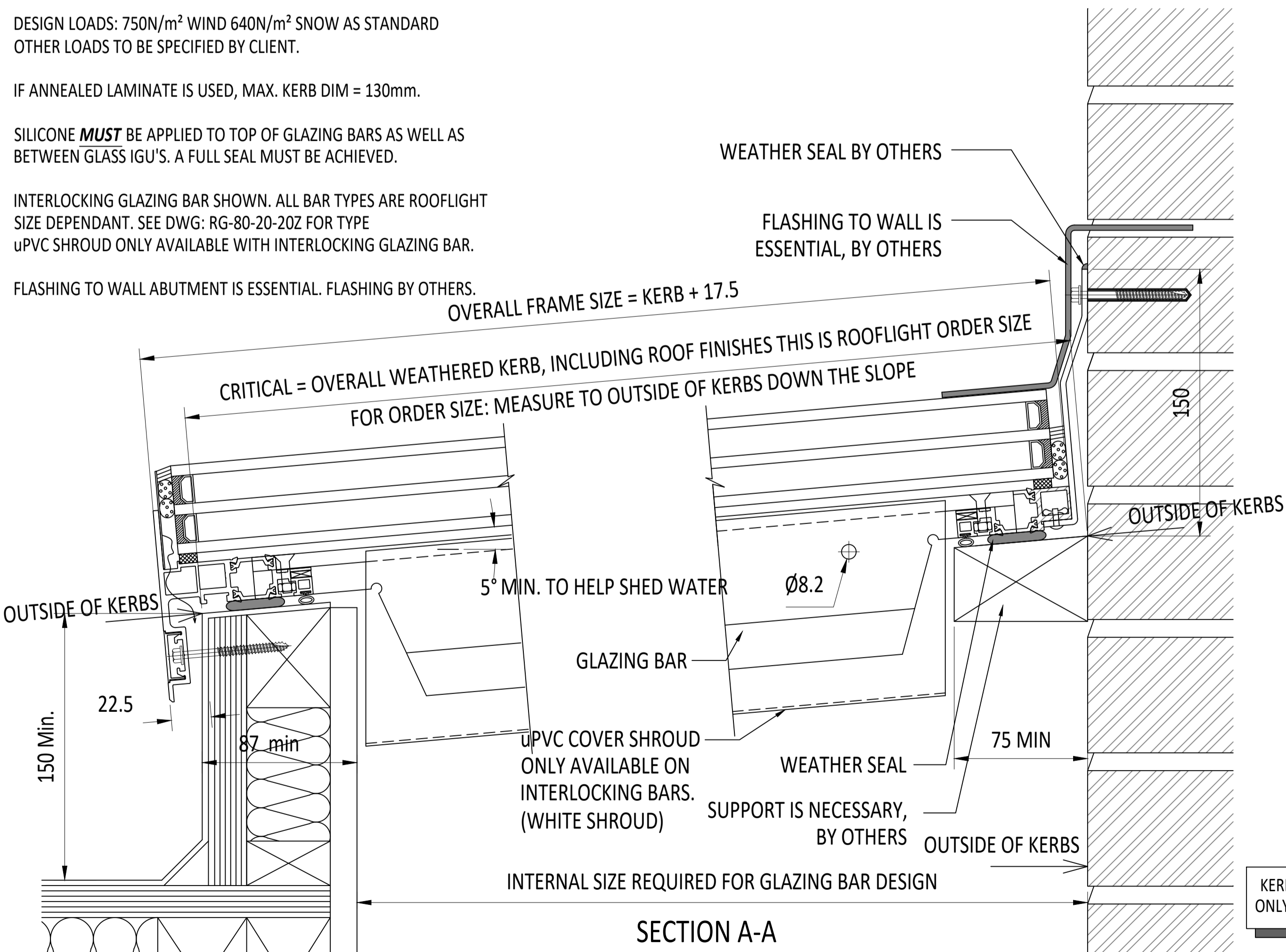
DESIGN LOADS: 750N/m<sup>2</sup> WIND 640N/m<sup>2</sup> SNOW AS STANDARD  
 OTHER LOADS TO BE SPECIFIED BY CLIENT.

IF ANNEALED LAMINATE IS USED, MAX. KERB DIM = 130mm.

SILICONE **MUST** BE APPLIED TO TOP OF GLAZING BARS AS WELL AS BETWEEN GLASS IGU'S. A FULL SEAL MUST BE ACHIEVED.

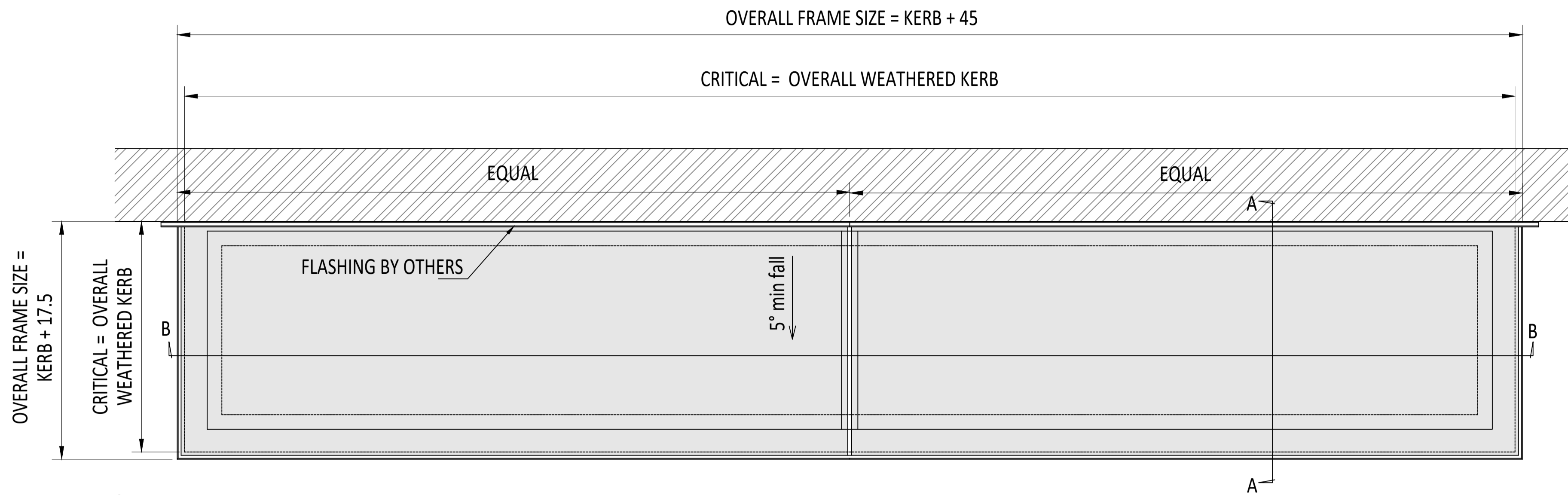
INTERLOCKING GLAZING BAR SHOWN. ALL BAR TYPES ARE ROOFLIGHT SIZE DEPENDANT. SEE DWG: RG-80-20-20Z FOR TYPE  
 uPVC SHROUD ONLY AVAILABLE WITH INTERLOCKING GLAZING BAR.

FLASHING TO WALL ABUTMENT IS ESSENTIAL. FLASHING BY OTHERS.

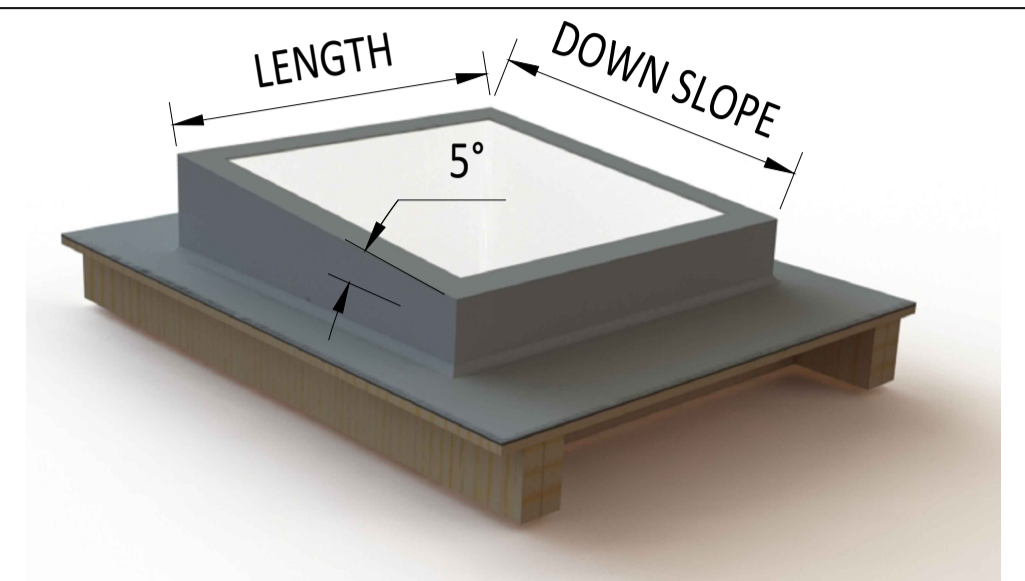


NOTE:  
 GLAZING BAR DESIGN IS DEPENDANT UPON A NUMBER OF FACTORS;  
 GLASS STRENGTH, GLASS WEIGHT, KERB SPAN, DESIGN LOADS, AND BAY CENTRES. INTERLOCKING GLAZING BARS AS SHOWN WILL NOT BE AVAILABLE AT EVERY SIZE OF ROOFLIGHT. ASK RGR TECHNICAL FOR THE GLAZING BAR TYPE FOR YOUR ROOFLIGHT DESIGN. IF THE INTERLOCKING BAR IS NOT AVAILABLE, NOR IS A COVER SHROUD.

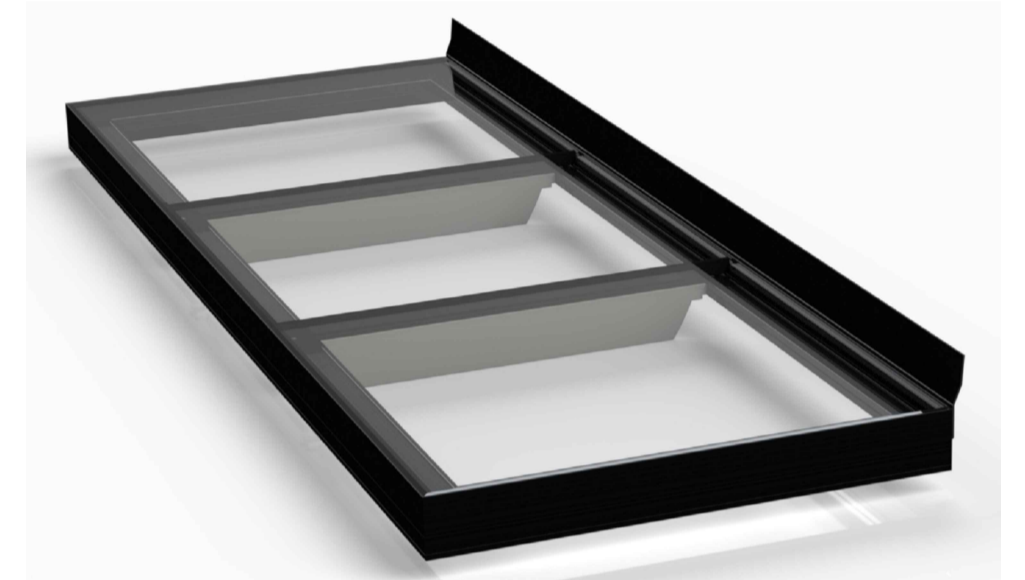
EXTERNAL PLAN VIEW  
 TRUE VIEW ON SLOPE



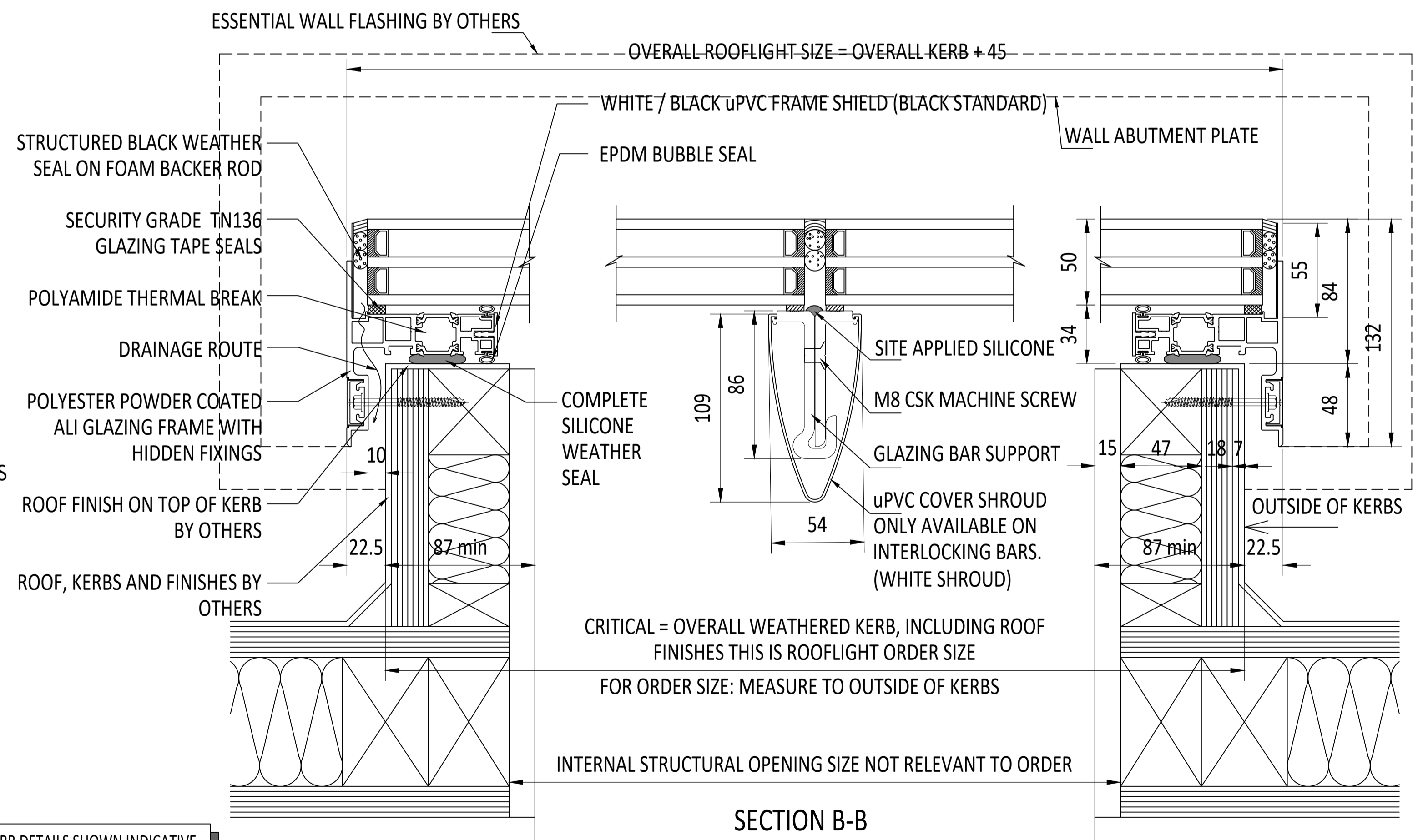
CDM :HAZARD IDENTIFICATION - HANDLING MATERIALS  
 BE AWARE OF SHARP EDGES AND CORNERS WHEN HANDLING MATERIALS. MOST EDGES AND CORNERS WILL BE DEBURRED BUT THERE IS STILL A SMALL RISK. WEAR APPROPRIATE PPE REQUIRED FOR THE TASK.  
 THE HAZARD 1992 SET OUT A CLEAR RANKING OF MEASURES FOR DEALING WITH RISKS FROM MANUAL HANDLING, THESE ARE:  
 • FIRST - AVOID HAZARDOUS MANUAL HANDLING OPERATIONS SO FAR AS IS REASONABLY PRACTICABLE;  
 • SECOND - ASSESS ANY HAZARDOUS MANUAL HANDLING OPERATIONS THAT CANNOT BE AVOIDED, AND  
 • THIRD - REDUCE THE RISK OF INJURY SO FAR AS IS REASONABLY PRACTICABLE.  
 HAND PROTECTION (MANDATORY) TO: BS EN 388:1994.  
 ROOFLIGHTS MUST ONLY BE INSTALLED BY COMPETENT CONTRACTORS.  
 DANGER OF DAMAGING GLASS IF IT IS WALKED UPON. GLASS IS CLASSED AS NON-FRAGILE BUT SHOULD NOT BE WALKED ON. USE SPREADER BOARDS.  
 REFER TO RISK ASSESSMENT FOR FURTHER DETAILS.



3D EXAMPLE OF KERB



GENERIC 3D RENDER IMAGING OF FRAME



KERB DETAILS SHOWN INDICATIVE ONLY. DETAILED DESIGN BY OTHERS

SECTION B-B

IF IN DOUBT ASK DO NOT SCALE	IT IS THE RESPONSIBILITY OF THE KERB DESIGNER TO ENSURE THE KERB WILL BE STRUCTURALLY ADEQUATE TO HOLD THE ROOFLIGHT. KERBS SHOWN ON THESE DRAWINGS ARE FOR ILLUSTRATION PURPOSES ONLY.	The manufacturer would advise an installation with a minimum pitch of 5° for rooflight units to minimize water pooling. Whilst the product can be installed flat without detriment to the warranty, the manufacturer cannot be held responsible for any excessive pooling of water to the surface of the rooflight, post installation, if installed without an adequate fall, larger units may require a greater fall. The final decision on amount of fall required must be made by the client and relayed to the installer.	THIS DRAWING MUST NOT BE COPIED OR PASSED TO A THIRD PARTY WITHOUT WRITTEN CONSENT FROM THE MANUFACTURER.	CHECKED	D. PUGH	TOLERANCE UNLESS OTHERWISE STATED	±5	MATERIAL	ALUMINIUM + GLASS	Roofglaze Rooflights Ltd. 11 Howard Road, Eaton Socon, St Neots, Cambs, PE19 8ET Telephone 01480 474797	DRAWING N°	RGR-MP-20-211	REV	ROOFGLAZE	
				DATE	12-11-2021	DIMENSIONS IN	MM	FINISH	STANDARD POLYESTER POWDER COAT OPTIONS: RAL 7016 ANTHRACITE GREY, RAL 9005 BLACK, RAL 9010 WHITE, 30% GLOSS (MATT)		TITLE	SKYWAY FIXED MULTI PANE FLATGLASS + WALL ABUTMENT -	SIZE	A1	Lighting by nature™
SCALE				1:2, 1:10 @ A1		REV		AMENDMENTS		SIGNED		CHECKED		DATE	