

CDM :HAZARD IDENTIFICATION - HANDLING MATERIALS
 BE AWARE OF SHARP EDGES AND CORNERS WHEN HANDLING MATERIALS. MOST EDGES AND CORNERS WILL BE DEBURRDED BUT THERE IS STILL A SMALL RISK. WEAR APPROPRIATE PPE REQUIRED FOR THE TASK.
 THE MINOR 1992 SET OUT A CLEAR RANKING OF MEASURES FOR DEALING WITH RISKS FROM MANUAL HANDLING, THESE ARE:
 • **FIRST** : AVOID HAZARDOUS MANUAL HANDLING OPERATIONS SO FAR AS IS REASONABLY PRACTICABLE;
 • **SECOND** : ASSESS ANY HAZARDOUS MANUAL HANDLING OPERATIONS THAT CANNOT BE AVOIDED; AND
 • **THIRD** : REDUCE THE RISK OF INJURY SO FAR AS IS REASONABLY PRACTICABLE.
 HAND PROTECTION (MANDATORY) TO: BS EN 388:1994.
 ROOFLIGHTS MUST ONLY BE INSTALLED BY COMPETENT CONTRACTORS.
 DANGER OF DAMAGING GLASS IF IT IS WALKED UPON. GLASS IS CLASSIFIED AS NON-FRAGILE BUT SHOULD NOT BE WALKED ON. USE SPREADER BOARDS.
 REFER TO RISK ASSESSMENT FOR FURTHER DETAILS.

NOTES

X No. REQUIRED

GLASS SPEC:
 OUTER : 33mm CLEAR TOUGHENED AND LAMINATED GLASS - 10/1.5/10/1.5/10 - PVB OR SGP INTERLAYER + BLACK BORDER ON FACE 2
 CAVITY : 20mm ARGON FILLED + WARM EDGE SPACER + DC3363 UV RESISTANT SILICONE BOND
 INNER : 6mm CLEAR HST TOUGHENED GLASS OR 13.5mm LAMINATED + LOW E TO CAVITY FACE

LIGHT TRANSMISSION = 73.2%
 SOLAR GAIN = 46.8 g
 CENTRE PANE U-VALUE = 1.1 W/m².K
 ACOUSTIC = NPD

ROOFLIGHT ORDER SIZE = OVERALL FINISHED AND WEATHER KERB DIMS.

GLASS BONDED TO FRAME WITH GLAZING SECURITY TAPE - TN136.

KERB DETAILS SHOWN INDICATIVE DETAILED DESIGN BY OTHERS.

RECOMMENDED FALL SHOWN TO HELP SHED WATER ONLY. UNIT CAN BE INSTALLED AT LOWER PITCHES. HIGHER IF NO WATER AT ALL IS DESIRED.

PRODUCT U-VALUE = U-Values are size dependant
 CENTRE PANE U VALUE = AS LOW AS 1.0W/M².K TO SPECIAL ORDER.

FLOOR LOADINGS TO BS EN 1991-1-1:

- 1.5 kN/m² Uniformly distributed load
- 2.0 kN Concentrated load
- 4.0 kN/m² Uniformly distributed load
- 3.6 kN Concentrated load
- 5.0 kN/m² Uniformly distributed load
- 4.5 kN Concentrated load

THESE LOADS ARE ARBITRARY. GLASS THICKNESS MAY VARY DEPENDING ON LOADS. LOADS TO BE AGREED/ SPECIFIED BY CLIENT.

PAINTED BORDER SHOWN AS STANDARD TO COVER GLAZING FRAME.

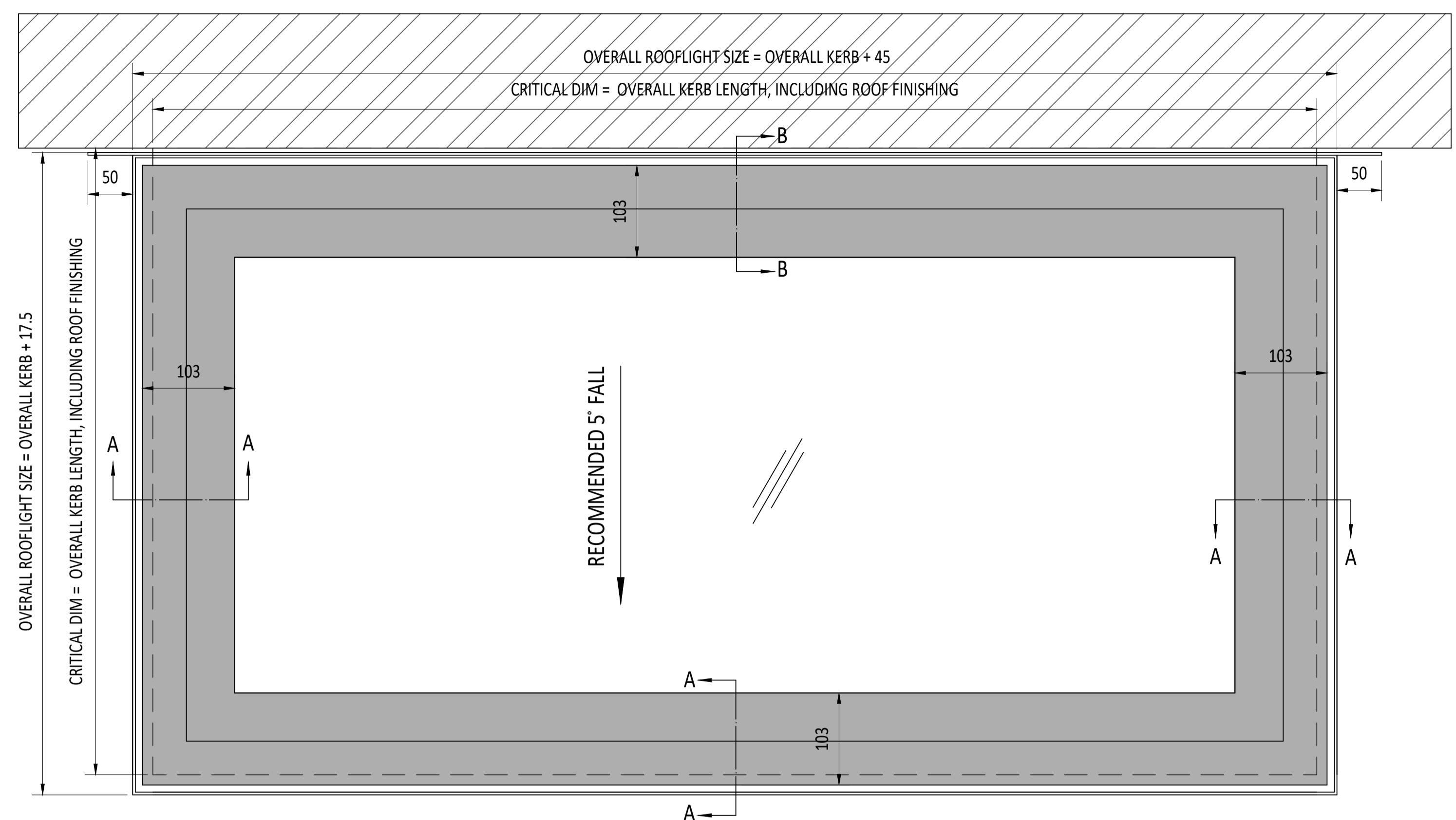
DIMENSIONS SHOWN DOWN THE SLOPE.

DIMENSIONS SHOWN TO TOP OF GLASS ARE APPROXIMATE.

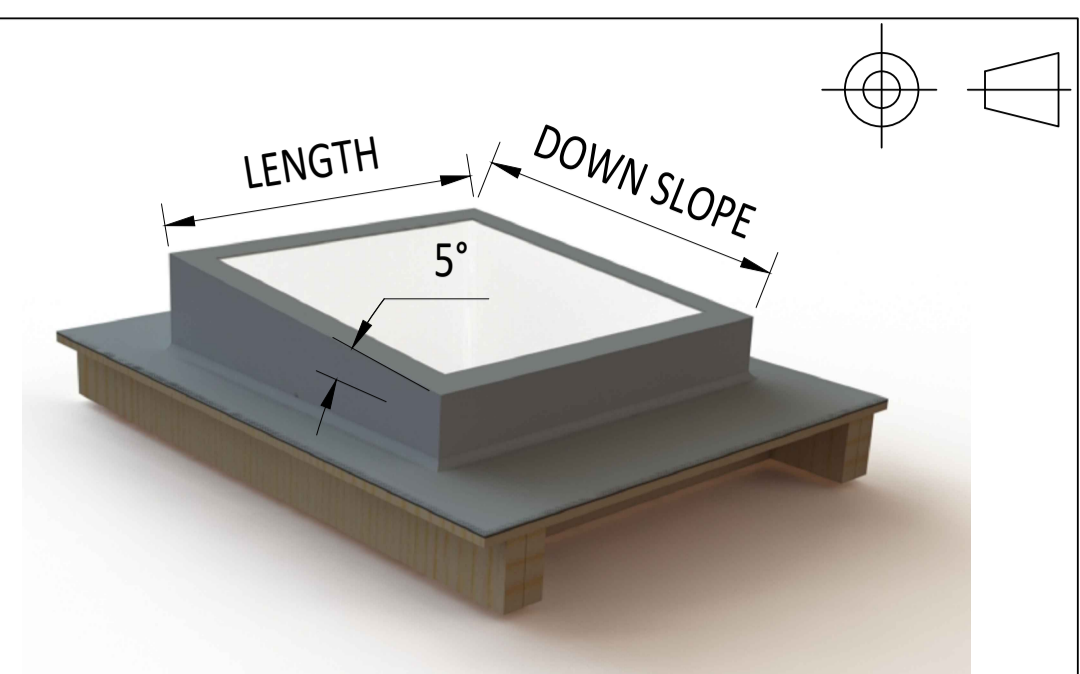
SEALING TO SURROUNDING CONSTRUCTION BY OTHERS.

THE MANUFACTURER RECOMMENDS AN ANTI-SLIP COATING TO WALK ON GLASS. DATA SHEET AVAILABLE FROM:
[HTTPS://WWW.ROOFGLAZE.CO.UK/RESOURCES/TECHNICAL-DATA-SHEETS/](https://www.roofglaze.co.uk/resources/technical-data-sheets/)

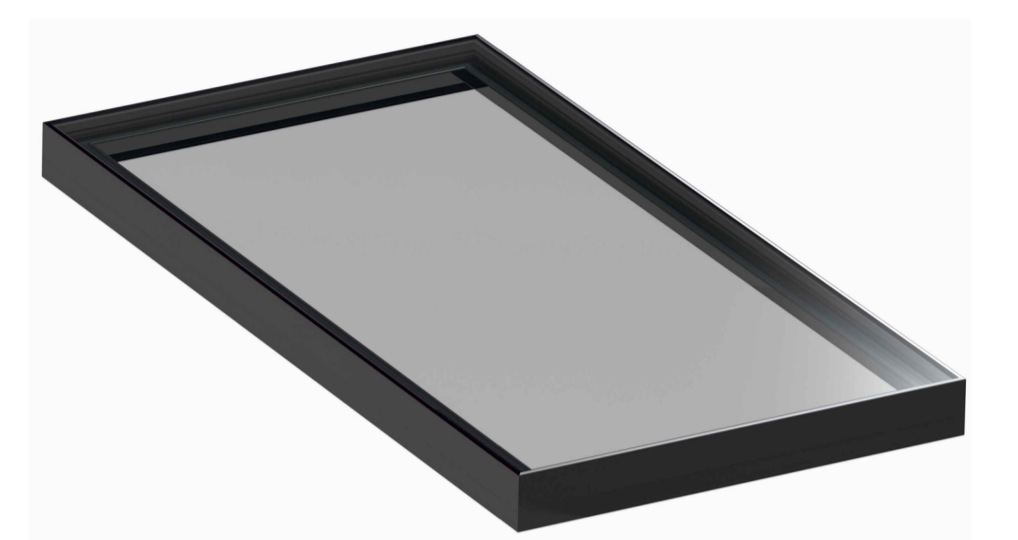
WEIGHT FOR A 1m² UNIT:
 33/6 GLASS = 113 KG
 39/6 GLASS = 128 KG
 48/6 GLASS = 150 KG



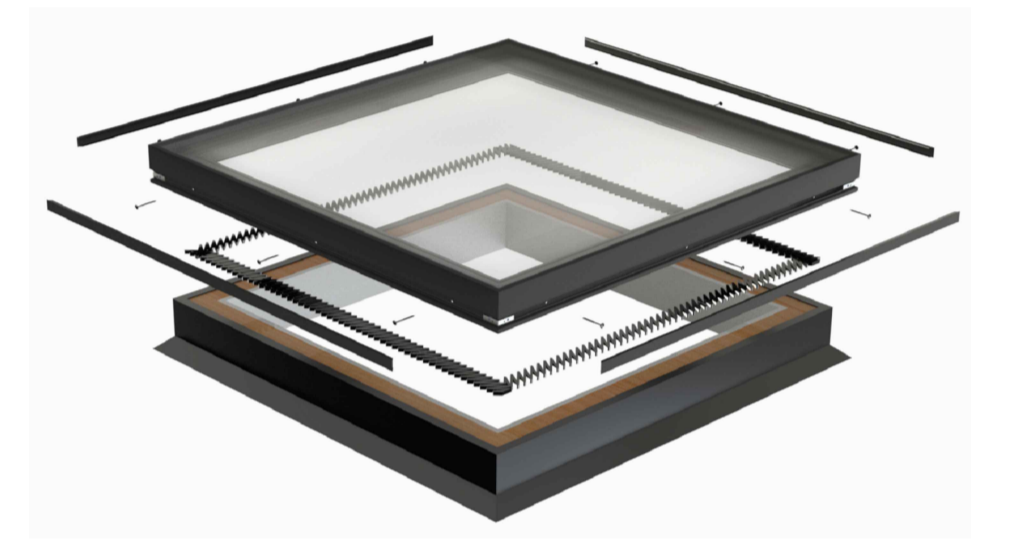
PLAN VIEW
True view on slope



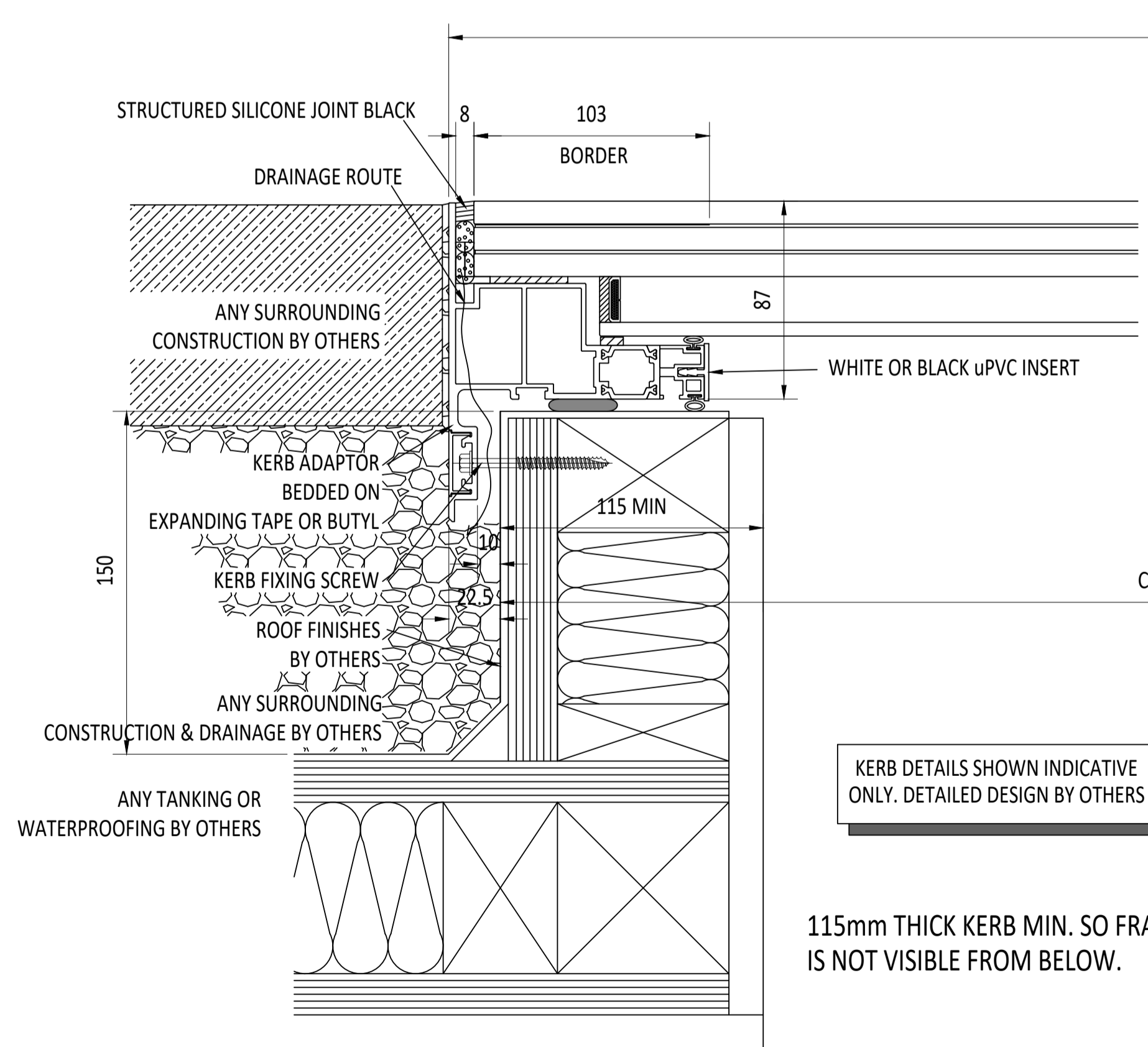
3D EXAMPLE OF KERB



3D RENDER IMAGING OF FRAME



EXPLODED INSTALL GUIDE



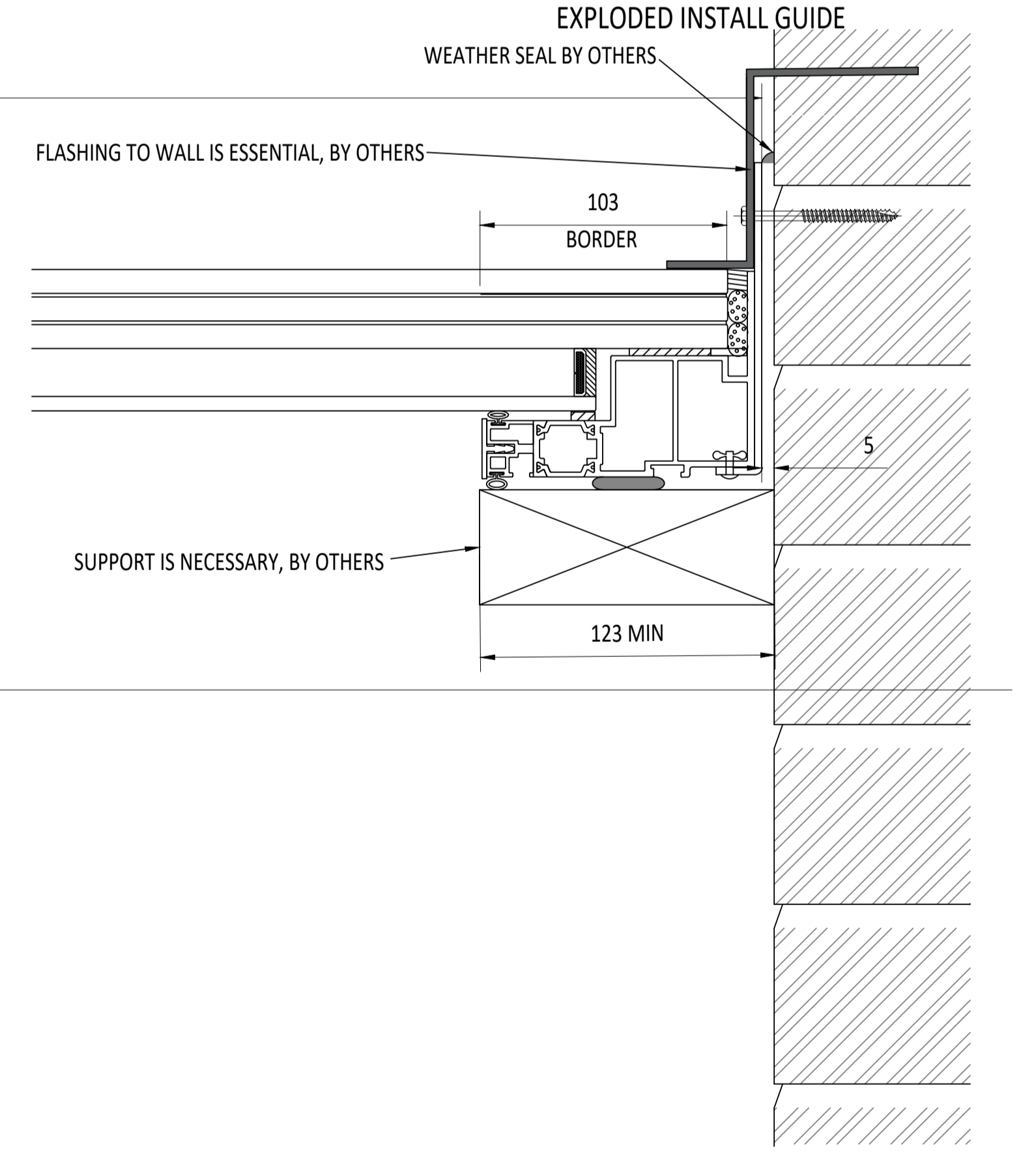
SECTION A-A

OVERALL ROOFLIGHT SIZE = OVERALL KERB + 17.5

CRITICAL DIMENSION = 1500 EXTERNAL WEATHERED KERB

KERB DETAILS SHOWN INDICATIVE ONLY. DETAILED DESIGN BY OTHERS

115mm THICK KERB MIN. SO FRAME IS NOT VISIBLE FROM BELOW.



SECTION B-B

IF IN DOUBT ASK DO NOT SCALE	IT IS THE RESPONSIBILITY OF THE KERB DESIGNER TO ENSURE THE KERB WILL BE STRUCTURALLY ADEQUATE TO HOLD THE ROOFLIGHT. KERBS SHOWN ON THESE DRAWINGS ARE FOR ILLUSTRATION PURPOSES ONLY.	The manufacturer would advise an installation with a minimum pitch of 5° for rooflight units to minimize water pooling. Whilst the product can be installed flat without detriment to the warranty, the manufacturer cannot be held responsible for any excessive pooling of water to the surface of the rooflight, post installation, if installed without an adequate fall. Larger units may require a greater fall. The final decision on amount of fall required must be made by the client and relayed to the installer.	THIS DRAWING MUST NOT BE COPIED OR PASSED TO A THIRD PARTY WITHOUT WRITTEN CONSENT FROM THE MANUFACTURER.	CHECKED D.PUGH	TOLERANCE UNLESS OTHERWISE STATED ±5	MATERIAL ALUMINIUM + GLASS	Roofglaze Rooflights Ltd. 11 Howard Road, Eaton Socon, St Neots, Cambs, PE19 8ET Telephone 01480 474797	DRAWING N° RGR-WO-20-403	REV A1	ROOFGLAZE Lighting by nature™	
				DATE 07-01-2021	DIMENSIONS IN MM	FINISH STANDARD POLYESTER POWDER COAT OPTIONS: RAL 7016 ANTHRACITE GREY, RAL 9005 BLACK, RAL 9010 WHITE, 30% GLOSS					TITLE: FIXED DOUBLE GLAZED 33mm WALK ON + HEAD ABUT FLATGLASS
				DRAWN A.PHILLIPS	SCALE 1:2 & 1:4 @ A1						
				DATE 07-01-2021							
							REV	AMENDMENTS	SIGNED	CHECKED	DATE