

NOTES

X NUMBER REQUIRED

KERB DETAILS SHOWN INDICATIVE ONLY. DETAILED DESIGN BY OTHERS

GLASS SPEC:

OUTER : 6mm CLEAR HST TOUGHENED GLASS
 CAVITY : 16mm ARGON FILLED + WARM EDGE SPACER + DC3363 UV RESISTANT SILICONE EDGE SEAL
 MIDDLE: 6mm CLEAR HST TOUGHENED GLASS + LOW E COATING
 CAVITY : 16mm ARGON FILLED + WARM EDGE SPACER + DC3363 UV RESISTANT SILICONE EDGE SEAL
 INNER: 6mm CLEAR HST TOUGHENED OR 8.8 LAMINATED GLASS + LOW E COATING

- LIGHT TRANSMISSION = 65 %
- CENTRE PANE U VALUE = 0.8 W/m².K
- SOLAR G VALUE = 0.46
- ACOUSTIC REDUCTION = 34 (6/6) 39 (6/8.8) RwdB
- AIR PERMEABILITY = CWCT CLASS A4
- WEATHER RESTIANCE = CWCT CLASS A7
- WIND RESISTANCE = CWCT CLASS E2400
- WEIGHT = 109 KG.
- DOWSIL 3363 UV RESISTANT SILICONE EDGE SEALS TO IGU
- DOWSIL 791 UV RESISTANT EDGE SEALS TO FRAME
- AA FIRE-RATED: AA DESIGNATION (NATIONAL CLASS) OR bROOF (T4) EUROPEAN CLASS AND EURO CLASS A1 NON-COMBUSTIBLE
- DESIGN LOADS = 750N/m² WIND & 640N/m² SNOW

ROOFLIGHT ORDER SIZE = OVERALL FINISHED AND WEATHER KERB DIMS

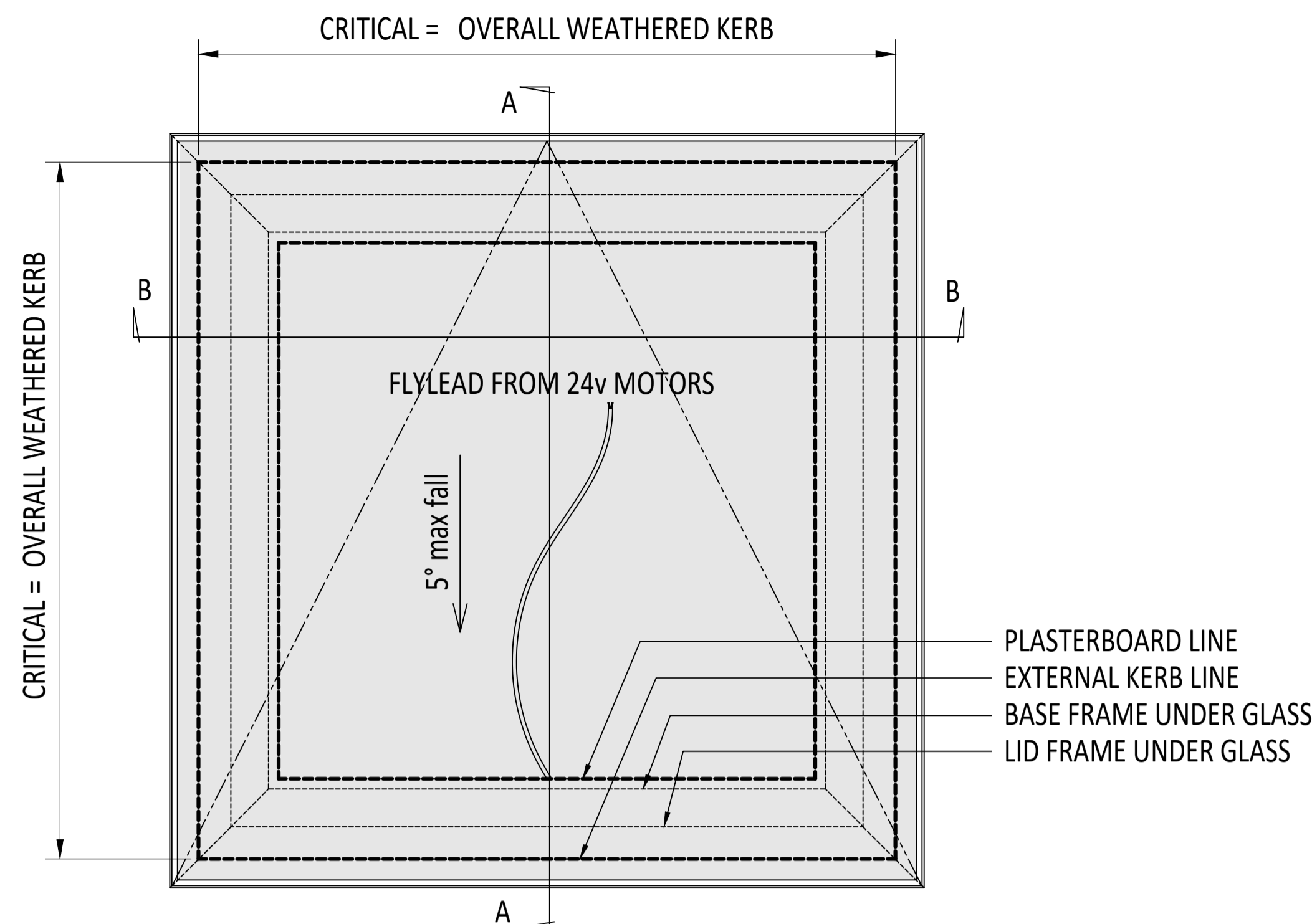
GLASS BONDED TO FRAME WITH GLAZING SECURITY TAPE

KERB DETAILS SHOWN INDICATIVE DETAILED DESIGN BY OTHERS

PRODUCT U-VALUE = 1.3 W/m².K

24V FOLDING ARM MOTORS. TRANSFORMER WALL PANEL WITH BUILDING MANAGEMENT CONNECTION SUPPLIED AS STANDARD. BATTERY BACKUP OPTIONAL. ALL ELECTRICAL COMMISSIONING BY OTHERS. OTHER SWITCH OR CONTROL OPTIONS, SUCH AS REMOTE OPERATION, AVAILABLE UPON REQUEST.

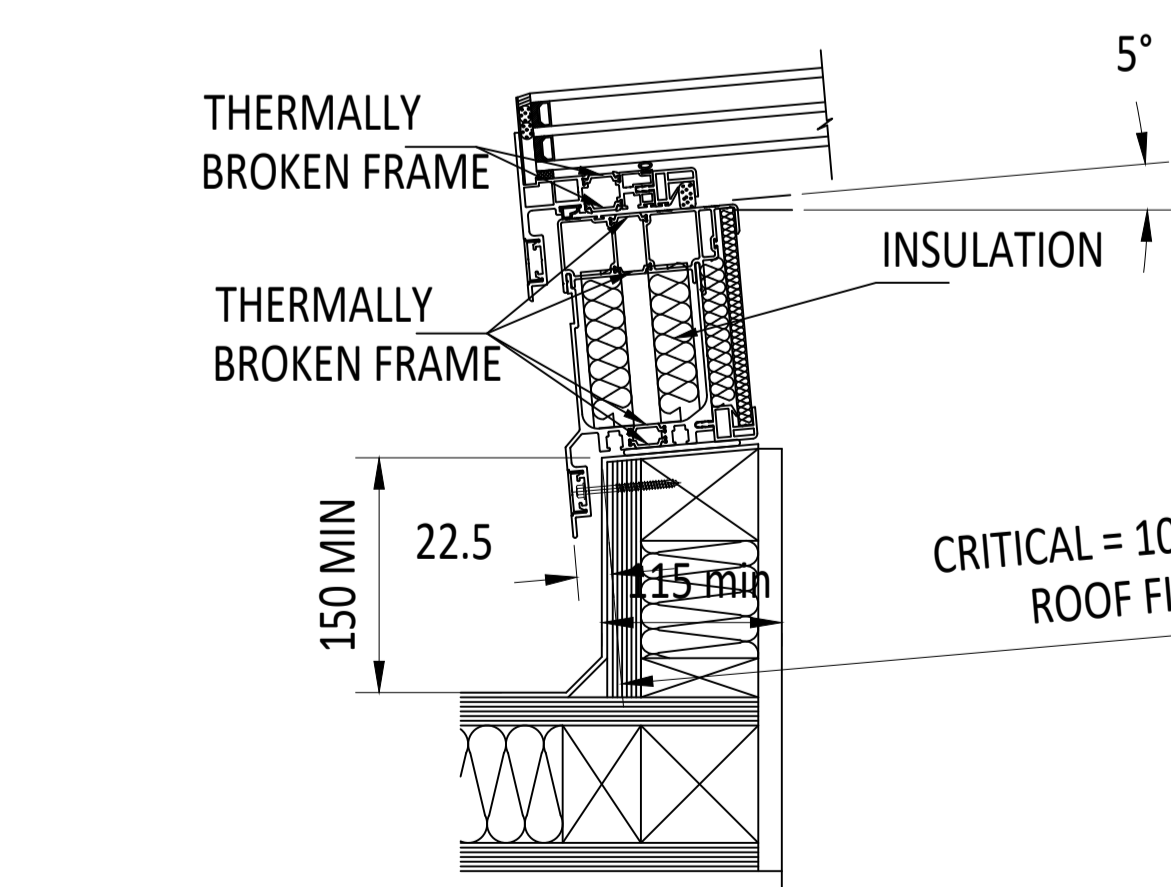
CDM :HAZARD IDENTIFICATION - HANDLING MATERIALS
 BE AWARE OF SHARP EDGES AND CORNERS WHEN HANDLING MATERIALS. MOST EDGES AND CORNERS WILL BE DEBURRED BUT THERE IS STILL A SMALL RISK. WEAR APPROPRIATE PPE REQUIRED FOR THE TASK.
 THE MHOR 1992 SET OUT A CLEAR RANKING OF MEASURES FOR DEALING WITH RISKS FROM MANUAL HANDLING. THESE ARE:
 • **FIRST** : AVOID HAZARDOUS MANUAL HANDLING OPERATIONS SO FAR AS IS REASONABLY PRACTICABLE;
 • **SECOND** : ASSESS ANY HAZARDOUS MANUAL HANDLING OPERATIONS THAT CANNOT BE AVOIDED; AND
 • **THIRD** : REDUCE THE RISK OF INJURY SO FAR AS IS REASONABLY PRACTICABLE.
 HAND PROTECTION (MANDATORY) TO: BS EN 388:1994.
 ROOFLIGHTS MUST ONLY BE INSTALLED BY COMPETENT CONTRACTORS.
 DANGER OF DAMAGING GLASS IF IT IS WALKED UPON. GLASS IS CLASSED AS NON-FRAGILE BUT SHOULD NOT BE WALKED ON. USE SPREADER BOARDS.
 REFER TO RISK ASSESSMENT FOR FURTHER DETAILS.
 FALL FROM HEIGHTS DURING INSTALLATION.



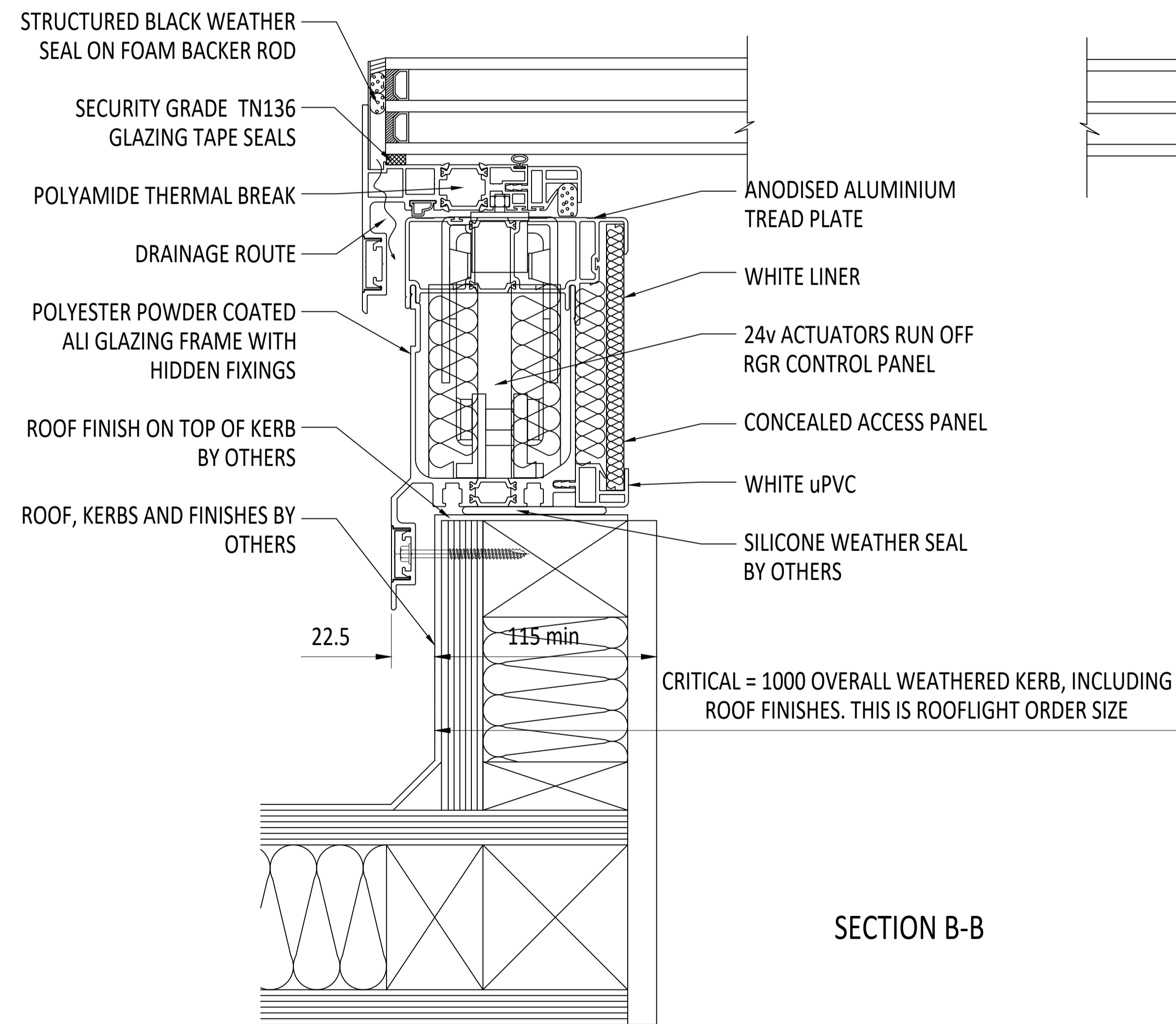
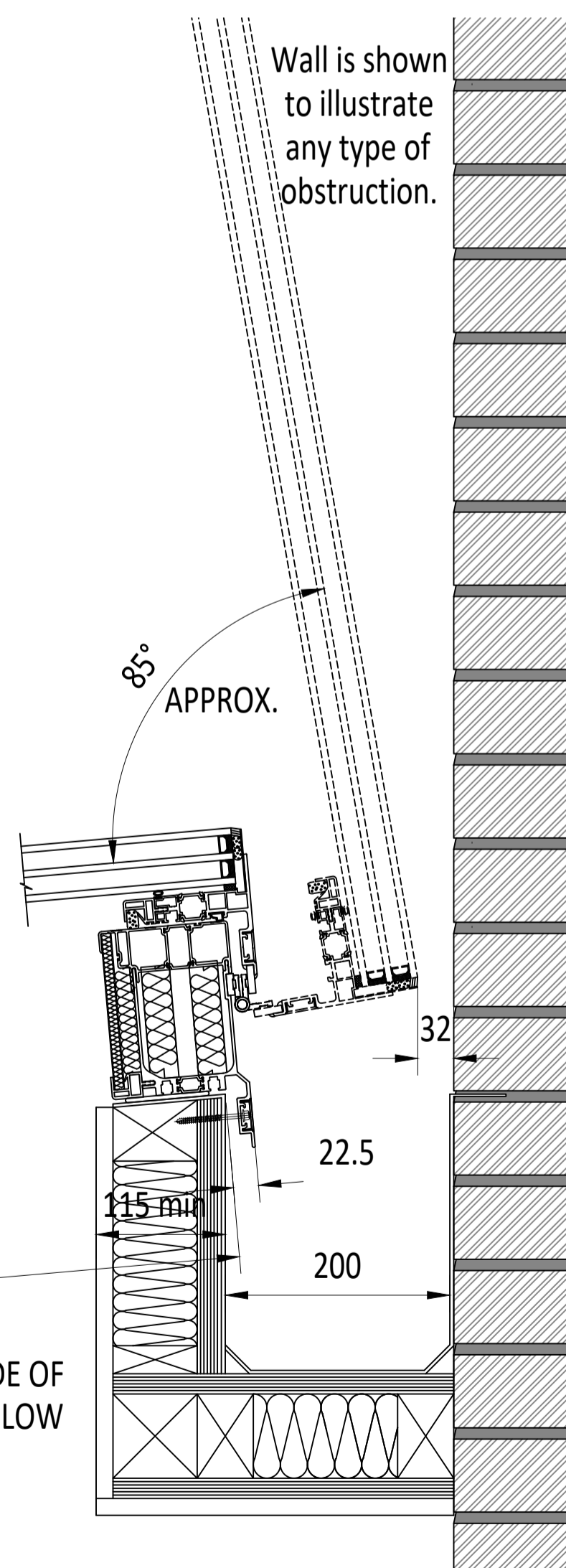
EXTERNAL PLAN VIEW
TRUE VIEW ON SLOPE



TRANSFORMER CONTROL PANEL



SECTION A-A



SECTION B-B

IF IN DOUBT ASK DO NOT SCALE	IT IS THE RESPONSIBILITY OF THE KERB DESIGNER TO ENSURE THE KERB WILL BE STRUCTURALLY ADEQUATE TO HOLD THE ROOFLIGHT. KERBS SHOWN ON THESE DRAWINGS ARE FOR ILLUSTRATION PURPOSES ONLY.	The manufacturer would advise an installation with a minimum pitch of 5° for rooflight units to minimize water pooling. Whilst the product can be installed flat without detriment to the warranty, the manufacturer cannot be held responsible for any excessive pooling of water to the surface of the rooflight, post installation, if installed without an adequate fall. Larger units may require a greater fall. The final decision on amount of fall required must be made by the client and relayed to the installer.	THIS DRAWING MUST NOT BE COPIED OR PASSED TO A THIRD PARTY WITHOUT WRITTEN CONSENT FROM THE MANUFACTURER.	CHECKED	D.PUGH	TOLERANCE UNLESS OTHERWISE STATED	±5	MATERIAL	ALUMINIUM + GLASS	Roofglaze Rooflights Ltd. 11 Howard Road, Eaton Socon, St Neots, Cambs, PE19 8ET Telephone 01480 474797	DRAWING N° RGR-HV-385	REV	ROOFGLAZE	
				DATE	01-07-2021	DIMENSIONS IN	MM	FINISH	STANDARD POLYESTER POWDER COAT OPTIONS: RAL 7016 ANTHRACITE GREY, RAL 9005 BLACK, RAL 9010 WHITE, 30% GLOSS					SIZE
SKYWAY™				DRAWN	XXX	SCALE	1:2,1:5,1:7 @ A1	REV	AMENDMENTS	SIGNED	CHECKED	DATE	TITLE:	SKYWAY 24V ACCESS + TRIPLE GLAZED
													Lighting by nature™	