

NOTES

X NUMBER REQUIRED

GLASS SPEC:
 OUTER : HST TOUGHENED GLASS
 CAVITY : 16mm ARGON FILLED + WARM EDGE SPACER + DC3363 UV RESISTANT SILICONE EDGE SEAL
 INNER : HST TOUGHENED OR LAMINATED GLASS + POLISHED EDGES + LOW E COATING

RGR HIGHLY RECOMMENDS A CWCT CLASS 1 OR CLASS 2 NON-FRAGILE OPTION FOR MOST ROOFLIGHTS

- LIGHT TRANSMISSION = 78 %
- CENTRE PANE U VALUE = 1.1 W/m².K
- SOLAR G VALUE = 0.63
- ACOUSTIC REDUCTION = 34 (6/6) 39 (6/8.8) Rw dB
- AIR PERMEABILITY = CWCT CLASS A4
- WEATHER RESISTANCE = CWCT CLASS A7
- WIND RESISTANCE = CWCT CLASS E2400
- WEIGHT = SIZE DEPENDANT, ASK RGR TECHNICAL FOR ADVICE
- AA FIRE-RATED: GLASS AND FRAME ARE AA DESIGNATION (NATIONAL CLASS) OR BROOF (T4) EUROPEAN CLASS AND EURO CLASS A1 NON-COMBUSTIBLE
- PRODUCT U_d-VALUE = AS LOW AS 0.5 W/m².K. THIS IS A COMBINED U_d-VALUE OF KERB AND ROOFLIGHT TOGETHER.

ROOFLIGHT ORDER SIZE = ROOF STRUCTURAL OPENING SIZE.

GLASS BONDED TO FRAME WITH GLAZING SECURITY TAPE & SILICONE.

MIN. 5° FALL RECOMMENDED TO HELP SHED WATER. LARGER UNITS MAY REQUIRE STEEPER PITCHES, CLIENT RESPONSIBLE FOR FINAL PITCH.

DESIGN LOADS: 750N/m² WIND 640N/m² SNOW AS STANDARD
 OTHER LOADS TO BE SPECIFIED BY CLIENT.

TIMBER SUSTAINABLY SOURCED FROM FSC MANAGED FORESTS, AND RECLAIMED TIMBER.

MOTORS ARE 24v. ONLY USE SWITCHES AND CONTROLS SUPPLIED BY RGR. ALL ELECTRICAL COMMISSIONING AND CONNECTION TO BUILDING POWER BY OTHERS. VARIOUS CONTROL OPTIONS ARE AVAILABLE, SPEAK TO RGR SALES FOR EXPERT ADVICE.

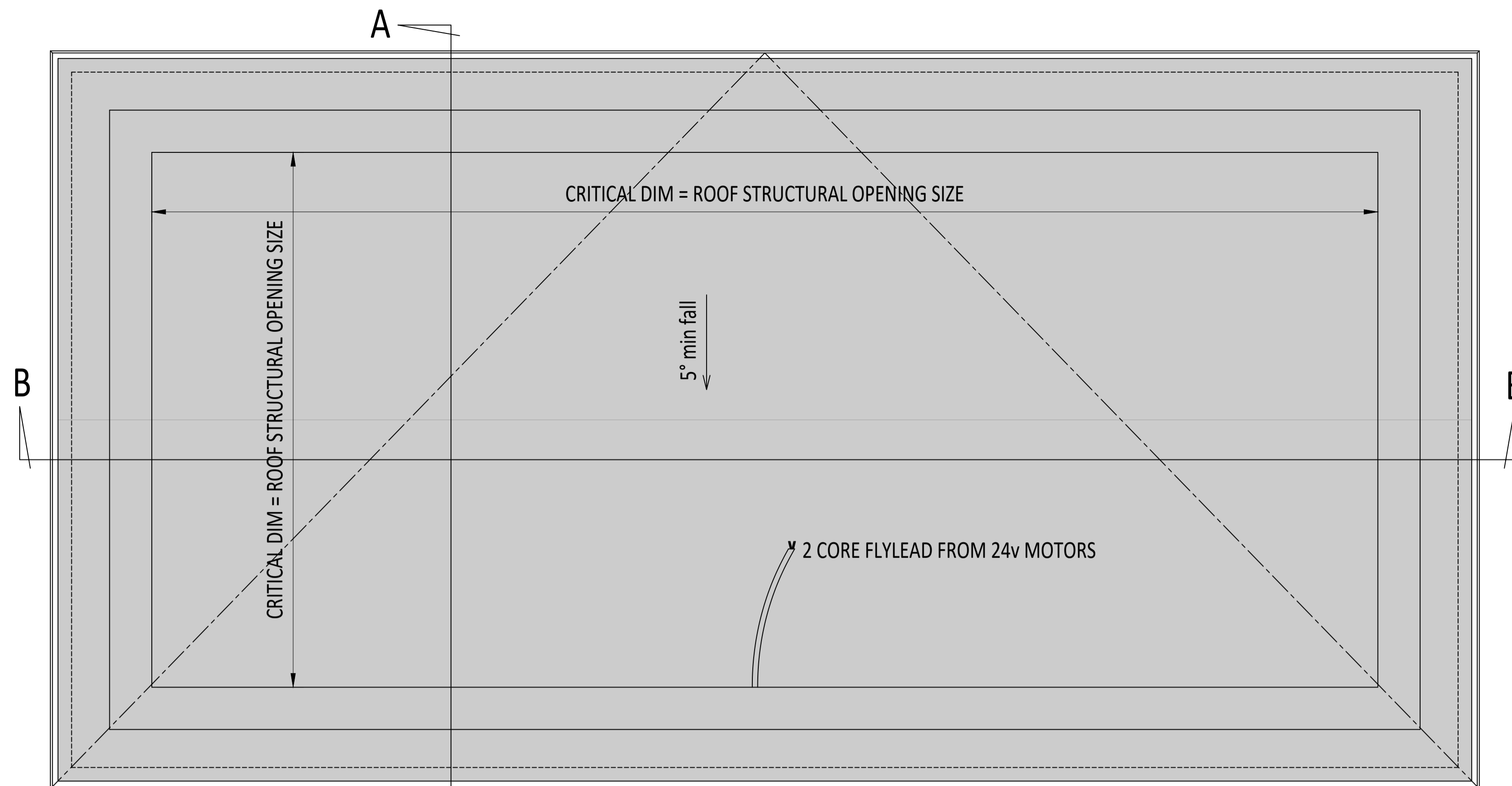
CDM :HAZARD IDENTIFICATION - HANDLING MATERIALS

BE AWARE OF SHARP EDGES AND CORNERS WHEN HANDLING MATERIALS. MOST EDGES AND CORNERS WILL BE DEBURRED BUT THERE IS STILL A SMALL RISK. WEAR APPROPRIATE PPE REQUIRED FOR THE TASK. THE MHOR 1992 SET OUT A CLEAR RANKING OF MEASURES FOR DEALING WITH RISKS FROM MANUAL HANDLING, THESE ARE:

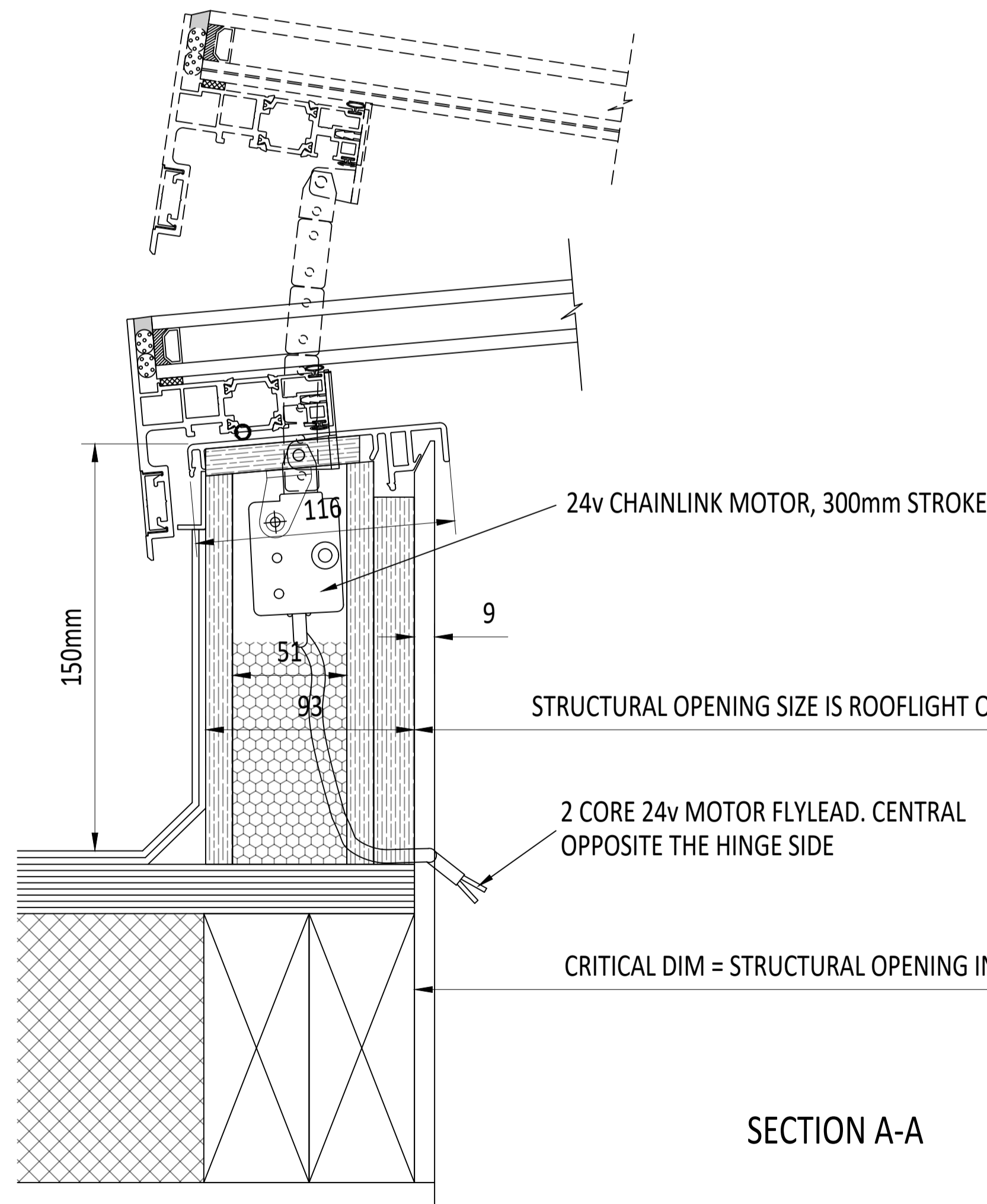
- **FIRST** : AVOID HAZARDOUS MANUAL HANDLING OPERATIONS SO FAR AS IS REASONABLY PRACTICABLE;
- **SECOND** : ASSESS ANY HAZARDOUS MANUAL HANDLING OPERATIONS THAT CANNOT BE AVOIDED; AND
- **THIRD** : REDUCE THE RISK OF INJURY SO FAR AS IS REASONABLY PRACTICABLE.

HAND PROTECTION (MANDATORY) TO: BS EN 388:1994. ROOFLIGHTS MUST ONLY BE INSTALLED BY COMPETENT CONTRACTORS. UNLESS DESIGNED FOR CWCT CLASS 0 OR CLASS 1, DANGER OF DAMAGING GLASS IF IT IS WALKED UPON. IF GLASS IS CLASSED AS NON-FRAGILE IT SHOULD STILL NOT BE WALKED ON UNLESS DESIGNED SO. USE SPREADER BOARDS. REFER TO RISK ASSESSMENT FOR FURTHER DETAILS.

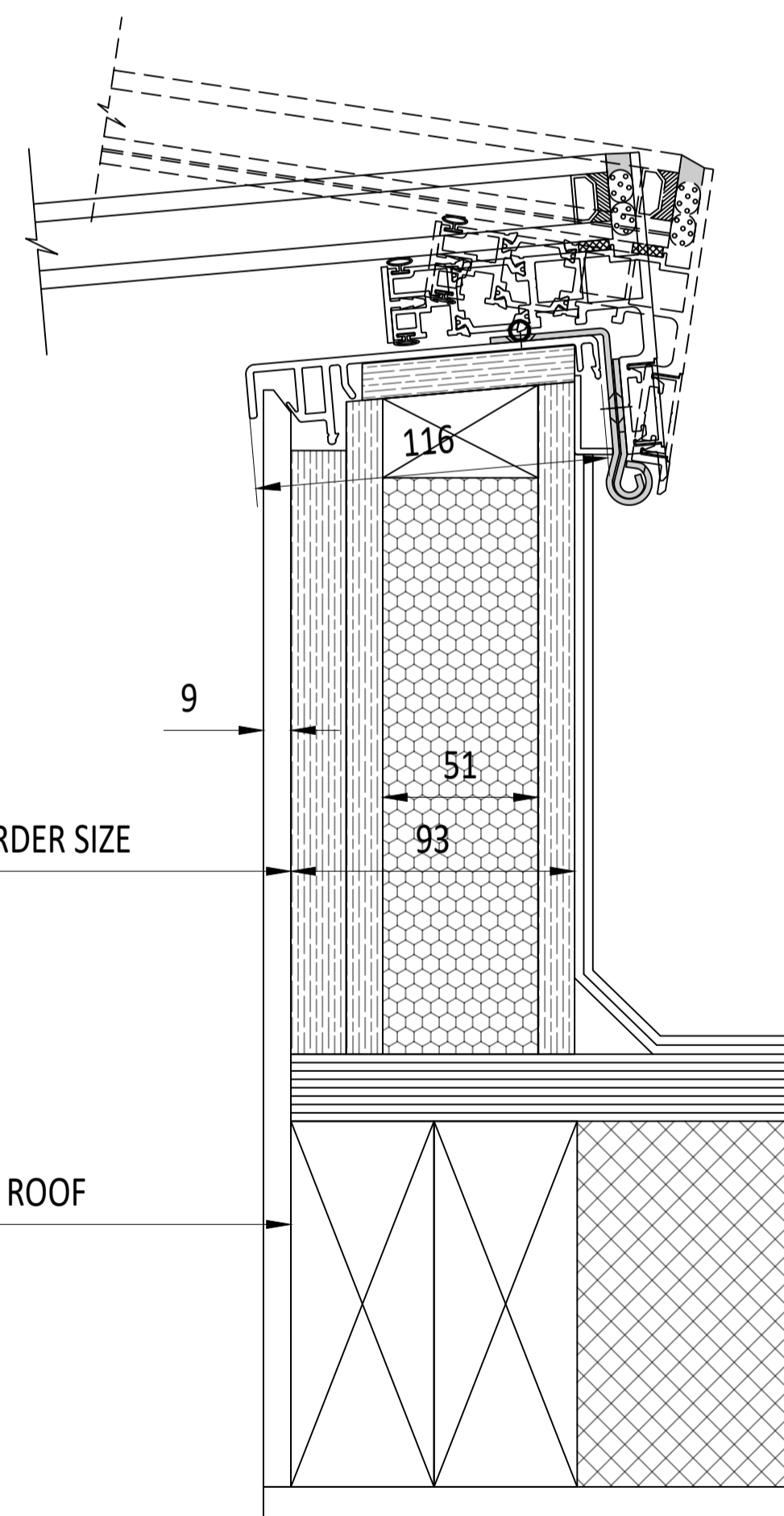
- FALL FROM HEIGHTS DURING INSTALLATION
- MANUAL HANDLING
- FINGER TRAP



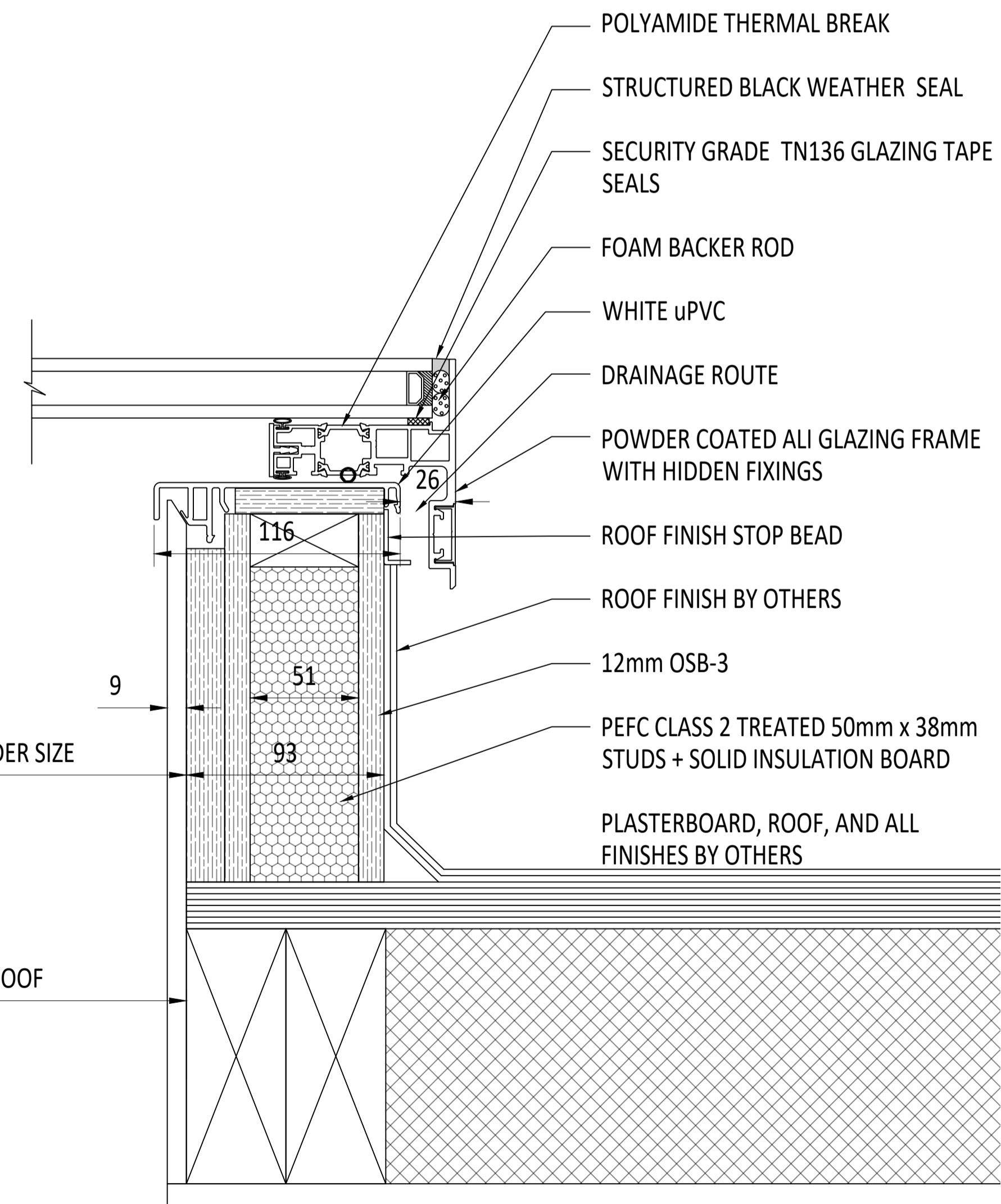
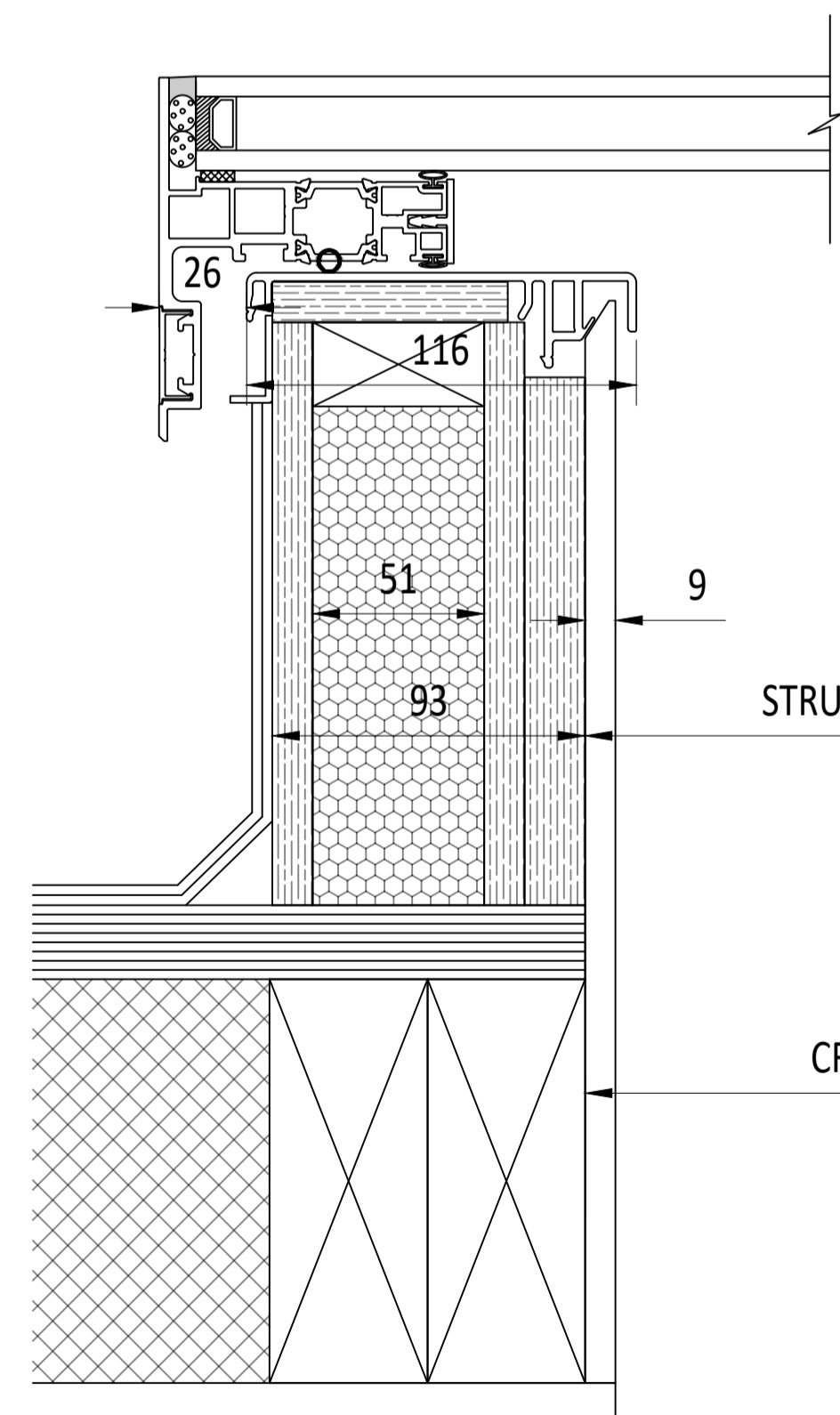
PLAN VIEW
 TRUE VIEW ON SLOPE



SECTION A-A



SECTION B-B



IF IN DOUBT ASK DO NOT SCALE



IT IS THE RESPONSIBILITY OF THE KERB DESIGNER TO ENSURE THE KERB WILL BE STRUCTURALLY ADEQUATE TO HOLD THE ROOFLIGHT. KERBS SHOWN ON THESE DRAWINGS ARE FOR ILLUSTRATION PURPOSES ONLY.

The manufacturer would advise an installation with a minimum pitch of 5° for rooflight units to minimize water pooling. Whilst the product can be installed flat without detriment to the warranty, the manufacturer cannot be held responsible for any excessive pooling of water to the surface of the rooflight, post installation. If installed without an adequate fall, larger units may require a greater fall. The final decision on amount of fall required must be made by the client and relayed to the installer.

THIS DRAWING MUST NOT BE COPIED OR PASSED TO A THIRD PARTY WITHOUT WRITTEN CONSENT FROM THE MANUFACTURER.

CHECKED C. M.
 DATE 13-03-2023
 DRAWN D. PUGH
 DATE 13-03-2023

TOLERANCE UNLESS OTHERWISE STATED ±5
 DIMENSIONS IN MM
 SCALE 1:2, 1:5 @ A1

MATERIAL ALUMINIUM, TIMBER, GLASS
 FINISH MARINE GRADE POLYESTER POWDER COAT RAL 7016 AS STANDARD 30% GLOSS (MATTE)

REV	AMENDMENTS	SIGNED	CHECKED	DATE

Roofglaze Rooflights Ltd,
 11 Howard Road, Eaton Socon,
 St Neots, Cambs, PE19 8ET
 Telephone 01480 474797

DRAWING N°: RGR-HTK-23-100
 TITLE: SKYWAY HINGED ON TIMBER KERB

REV ROOFGLAZE
 SIZE A1
 Lighting by nature™