



Flatglass Rooflights with Electric Integral Blind

- ▶ An aesthetically-pleasing and effective solar management solution for residential, commercial and public buildings

Key Features & Benefits

- ▶ Blind unit covered by 5 year warranty*
- ▶ Fully thermally-broken aluminium frame prevents cold bridging, reducing the risk of condensation
- ▶ Excellent thermal performance, with total system U-values as low as 1.4 W/m².K achievable
- ▶ Quick and easy to install on-site
- ▶ Compatible with both flat and pitched roofs, Flatglass rooflights are installed to a builder's kerb finished by roofing membrane
- ▶ Designed to be installed on roof pitches from 1°
- ▶ Recommended minimum kerb pitch of 5° to help shed water
- ▶ Minimal framework: daylight is maximised while the visible framework is minimised
- ▶ More daylight = less artificial light = energy savings
- ▶ BIM Objects
- ▶ NBS Specification document
- ▶ Product CAD drawings
- ▶ Install guides, wiring & set up instructions
- ▶ More daylight leads to enhanced well-being

Frame Specification

- ▶ The Fixed Flatglass rooflight frame is manufactured from extruded aluminium section to BS 1474, EN 12020-1:2001
- ▶ Polyamide thermal break to BS EN ISO 16396-2:2017 within the glazing frame makes it fully thermally-broken and extremely thermally-efficient
 - ▶ Polyester Powder Coated Aluminium to BS EN 12206-1:2004
 - ▶ RAL Colour: Anthracite Grey (RAL 7016) frames
 - ▶ White (RAL 9010) and Black (RAL 9005) frames are also available as standard options
 - ▶ Bespoke RAL colour options available

Glass Specification

The IGU consists of a heat soak tested toughened glass outer skin, with an Argon filled cavity, swiss warm edge spacer, UV resistant silicone edge seal and a low emissivity coating on the inner skin. The inner skin of the IGU can be either HST toughened or laminated. The IGU's are manufactured to BS EN 1279.

Product Testing & Certification

- ▶ Weathertightness: CWCT Class A4 Air leakage, Resistance to Wind Class E2400 Pa and Watertightness Class R7
- ▶ Non-fragility: CWCT TN66/67 and TN92, with Class 1 and Class 2 compliant solutions available
- ▶ AA Fire-rated: AA Designation (National Class) or Broof (T4) European Class and Euro Class A1 non-combustible

Critical Kerb External Dimensions (Standard Glass Specification)

Min. Kerb Height: 150mm (at the eaves end)
Min. Kerb Thickness: 75mm (excluding finishes)
Max. Size: 1500mm x 3000mm
Min. Size: 600mm x 600mm
Min. Recommended Pitch: 5° to shed water

Bespoke Glass Options

- ▶ Solar Control
- ▶ Privacy Glass
- ▶ Body Tinted
- ▶ Acoustic Laminate
- ▶ Coloured Glass
- ▶ Easy-Clean Coatings (Ritec)

British Standards Compliance

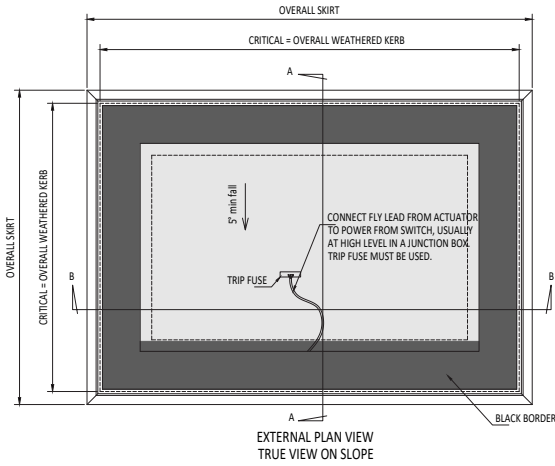
BS 6375-1: 2015+A1:2016 Weathertightness
BS EN 1026:2016 Air Permeability
BS EN 1027: 2016 Watertightness
BS EN 12211: 2016 Wind Resistance
BS EN 12206-1:2004: Polyester Powder Coating
BS EN 13120:2009+A1:2014
BS EN 16433:2014
BS EN 16434:2014
EU Decision (2011/477/EU)

Rooflight Performance

Building Regulations (E&W) Approved Document L compliant design to achieve low U-values
U-values: As low as 1.4 W/m².K
G-values: As low as 0.33
Light Transmission: Up to 78%

Technical Data Sheet

V.12-2019



Design Loadings

Snow: 640 N/m²

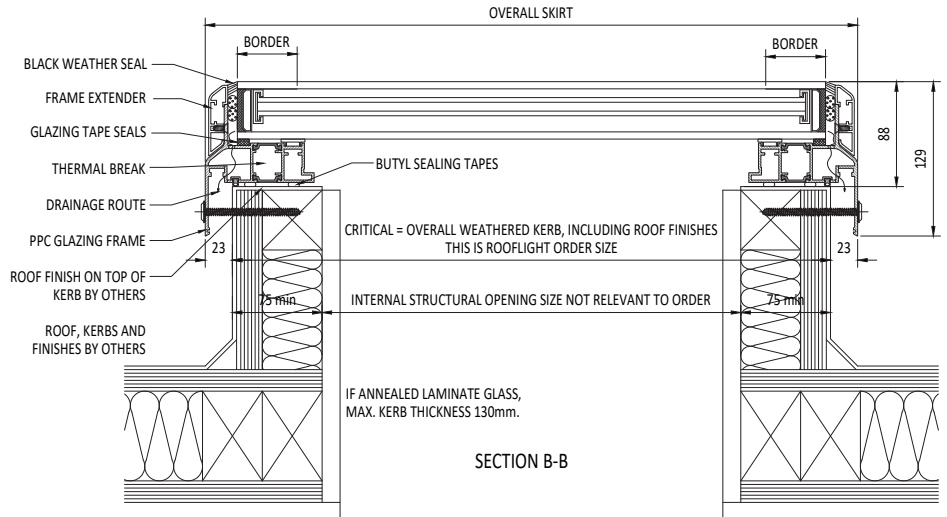
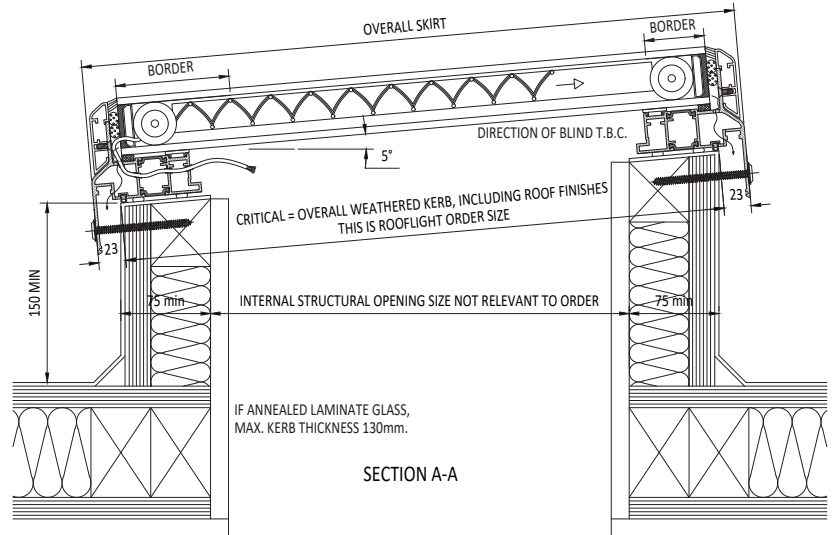
Wind: 750 N/m²

Product Variations

- ▶ Single or multi-pane Flatglass
- ▶ Walk-on Flatglass
- ▶ Wall, Head and Verge Abutment details
- ▶ Hinged ventilation Flatglass

Blind Specification

- ▶ Blind material is White
- ▶ Blind material is UV stable
- ▶ Blind runs up, down or side to side
- ▶ Maintenance free
- ▶ 24v DC motors
- ▶ 25 s/m running speed
- ▶ Tested to 50,000 repetitions
- ▶ 24v transformer switch
- ▶ Remote control



Kerb details shown indicative only. Detailed design by others.

*Please see the Roofglaze Terms & Conditions of Sale for more details

Roofglaze

Lighting, by nature.™

Get in touch for Technical and Estimating Advice

T: 01480 474 797 Email: info@roofglaze.co.uk www.roofglaze.co.uk

Roofglaze

11 Howard Road, Eaton Socon, St Neots, Cambridgeshire PE19 8ET

