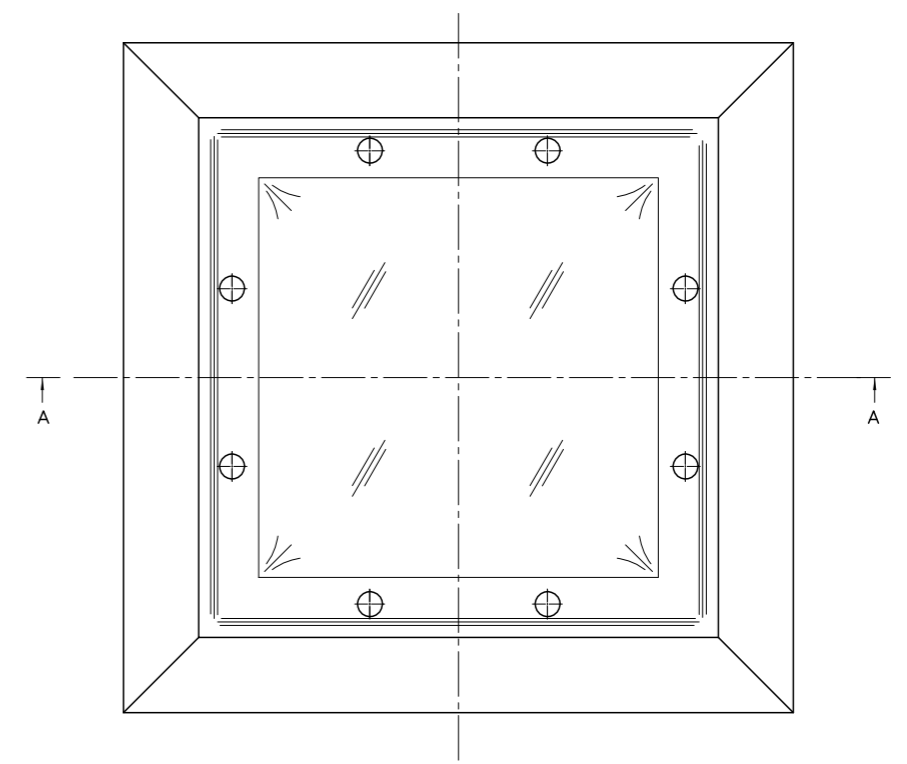
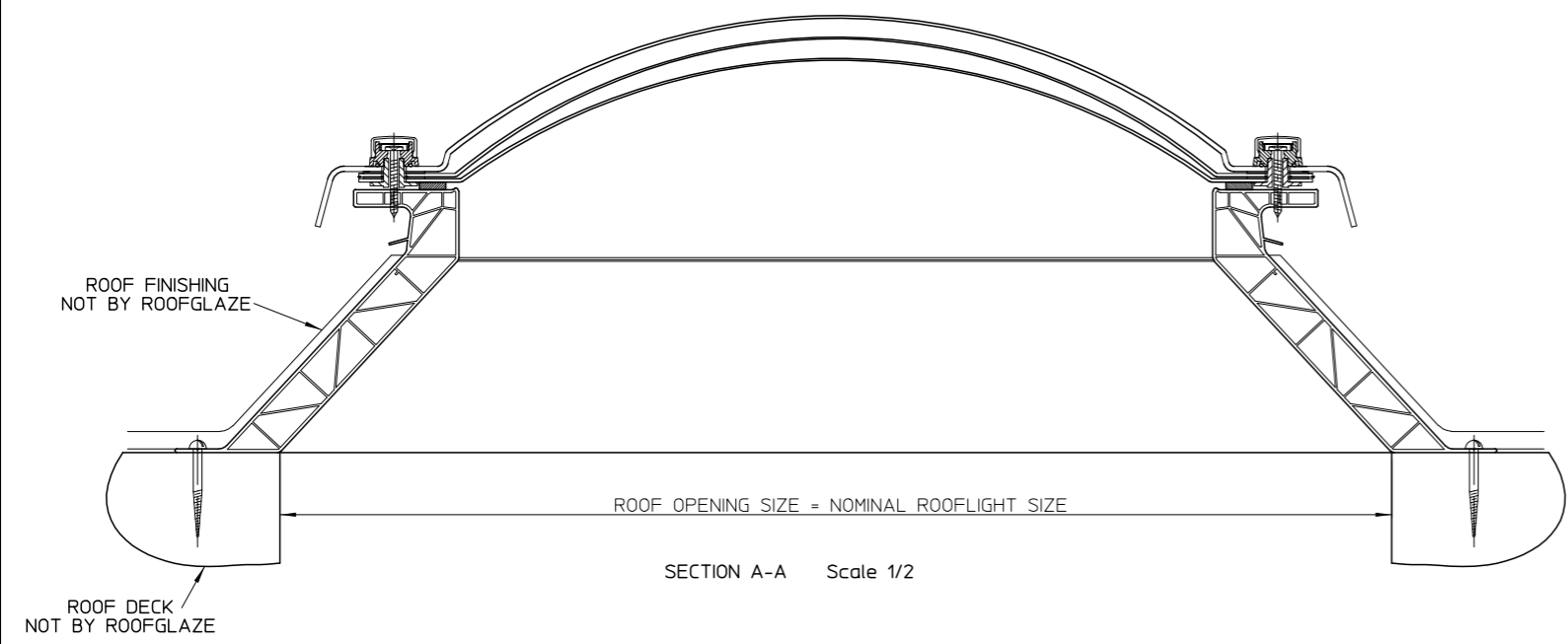
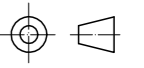
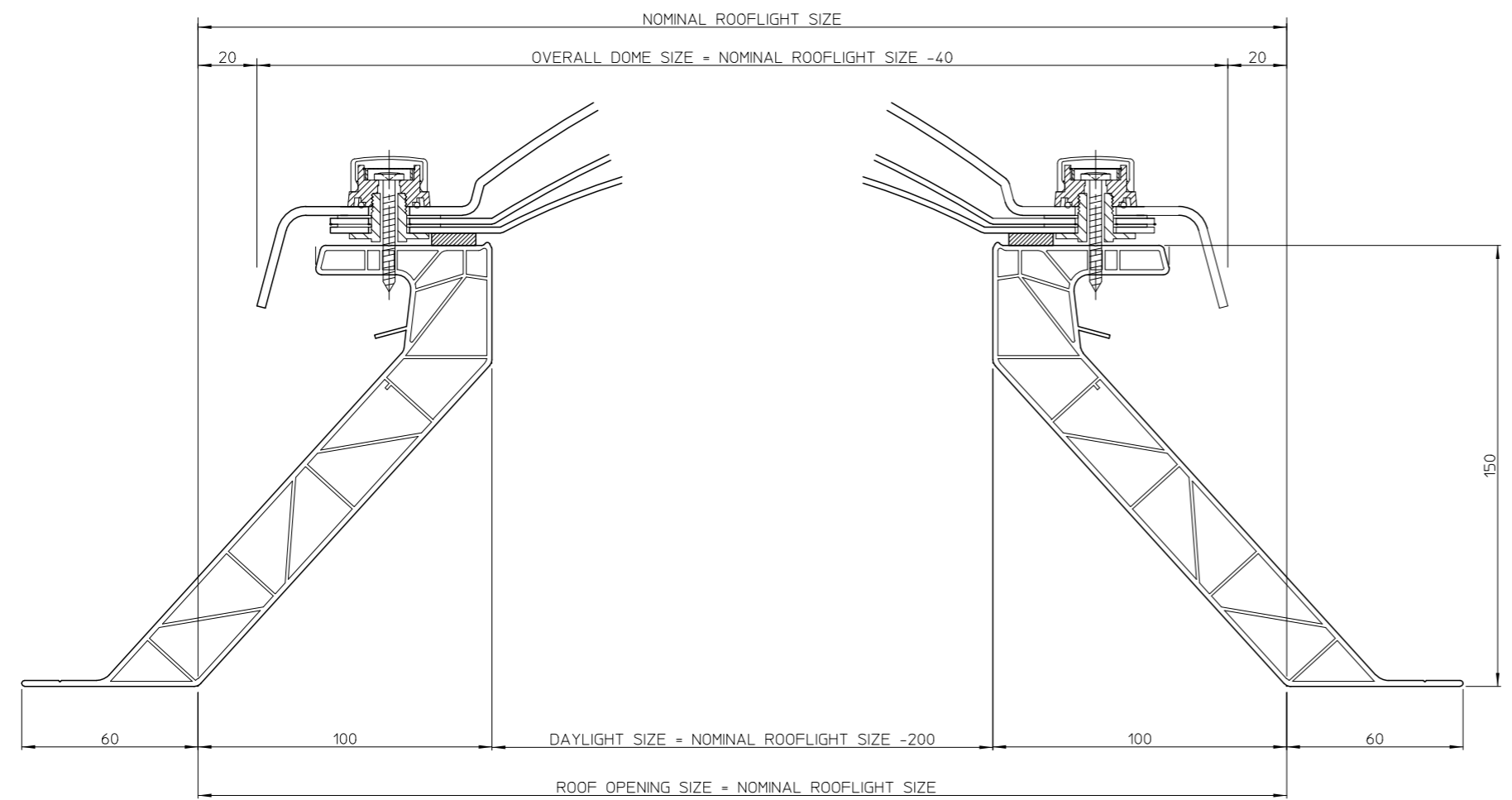


DRAWING N^o.
RG-100-104

IF IN DOUBT ASK DO NOT SCALE



PLAN Scale 1/4



PART SECTION A-A Scale 1/1

STANDARD SIZES
FOR FULL RANGE SEE SPEC SHEET

1200 x 900
1200 x 600
1200 x 1200
1050 x 1050
900 x 900
750 x 750
600 x 600
NOMINAL ROOFLIGHT SIZE

THIS DRAWING MUST NOT BE COPIED OR PASSED TO A THIRD PARTY WITHOUT WRITTEN CONSENT FROM ROOFGLAZE LIMITED.	CHECKED	TOLERANCE UNLESS OTHERWISE STATED	±1	MPVC CARBONATE GLAZING UPVC UPSTAND	FINISH WHITE	REV	AMENDMENTS	SIGNED	CHECKED	DATE	Roofglaze Limited. 30-32, Little End Road, Eaton Socon, St Neots, Cambs, PE19 8JH Telephone 01480 474797, Fax 01480 474774. E-mail technical@roofglaze.co.uk	ROOFGLAZE TITLE: TRIPLE SKIN ECONOLITE ON 150mm uPVC UPSTAND	QUOTE N ^o .	DRAWING N ^o .	REV
	DATE	DIMENSIONS IN	mm										A1	RG-100-104	
	DRAWN R. PADDICK	SCALE	1/2												
	DATE														