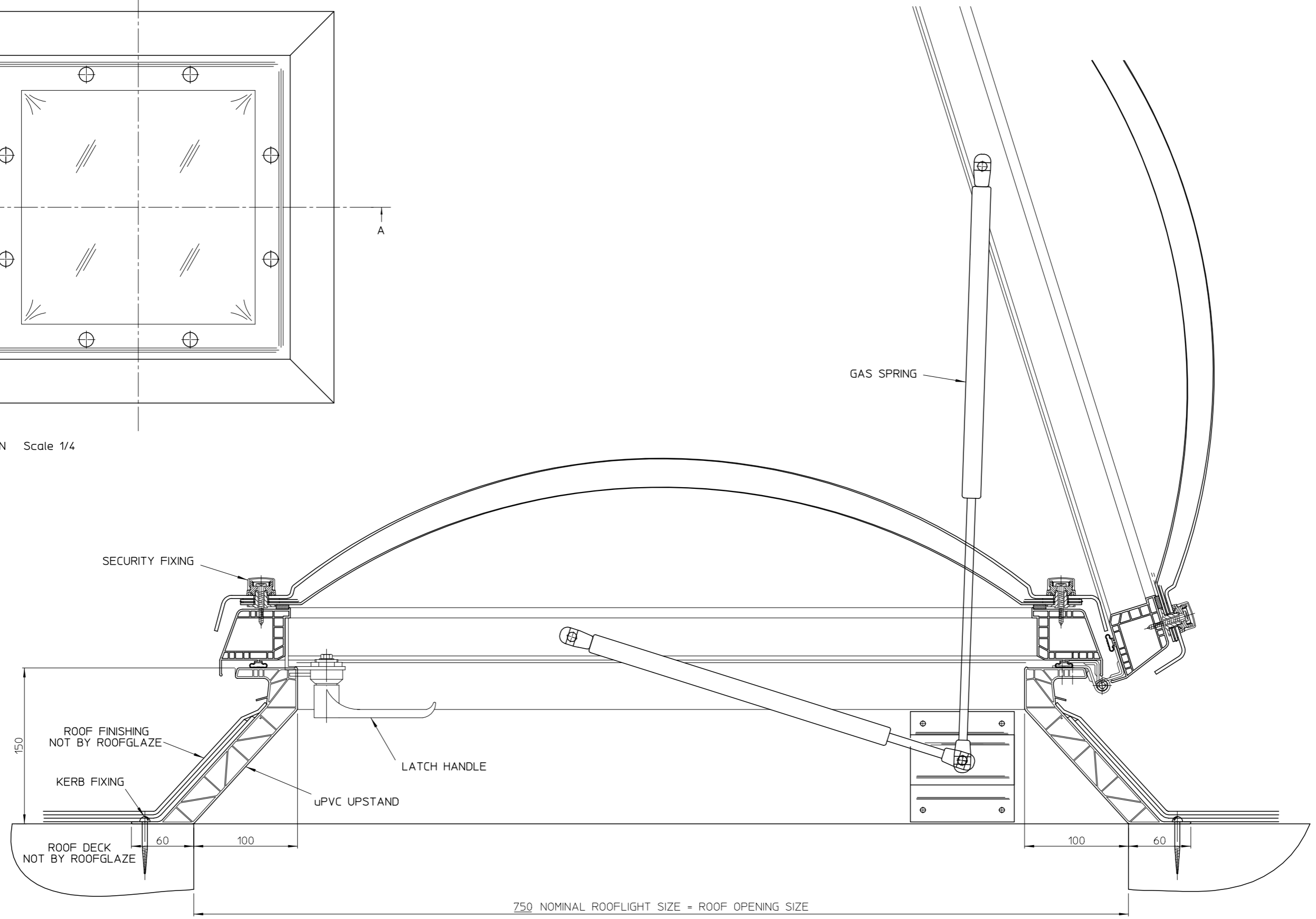


PLAN Scale 1/4



SECTION A-A

THIS DRAWING MUST NOT BE COPIED OR PASSED TO A THIRD PARTY WITHOUT WRITTEN CONSENT FROM ROOFGLAZE LIMITED.	CHECKED	TOLERANCE UNLESS OTHERWISE STATED	MATERIAL	Roofglaze Limited, 11 Howard Road, Eaton Socon, St Neots, Cambs, PE19 8NU Telephone 01480 474797. Fax 01480 474774. E-mail technical@roofglaze.co.uk			ROOFGLAZE	QUOTE N ^o .	DRAWING N ^o .	REV
	DATE	±1	POLYCARBONATE GLAZING	TITLE: DOUBLE SKIN ECONOLITE ACCESS HATCH ON 150mm uPVC UPSTAND	A1	RG-100-107				
	DRAWN	DIMENSIONS IN	uPVC UPSTAND							
	R. PADDICK	mm	FINISH							
DATE	SCALE	WHITE	REV	AMENDMENTS	SIGNED	CHECKED	DATE			
15-Jan-2010	1/2									