

NOTES

X No. REQUIRED

GLASS SPEC:

OUTER : 4mm CLEAR, NEUTRAL OR BLUE TOUGHENED GLASS
 CAVITY : 16mm ARGON FILLED + WARM EDGE SPACER
 INNER : 4mm CLEAR NEUTRAL OR BLUE TOUGHENED GLASS
 + LOW E COATING
 SELF CLEAN AVAILABLE

LIGHT TRANSMISSION = X % (Spec Dependant)
 CENTRE PANE U VALUE = 1.1 W/m².K
 SOLAR G VALUE = X % (Spec Dependant)
 ACOUSTIC REDUCTION = 32 Rw dB

FRAME POWDER COAT STANDARD COLOURS:
 RAL 9010 WHITE
 RAL 9005 JET BLACK
 RAL 7016 ANTHRACITE GREY

DUAL COLOUR BLACK EXTERNAL / WHITE INTERNAL
 DUAL COLOUR GREY EXTERNAL / WHITE INTERNAL

XXXX = SIZE NOT AVAILABLE

LINEAR MEASUREMENT IN MM

WEIGHT IN KG

Stock Sizes		
Span	Length	Weight
2000	2000	130
2000	2200	141
2000	2500	157
2000	3000	183

Stock Sizes		
Span	Length	Weight
1800	1800	109
1800	2000	119
1800	2200	129
1800	2500	143
1800	3000	168

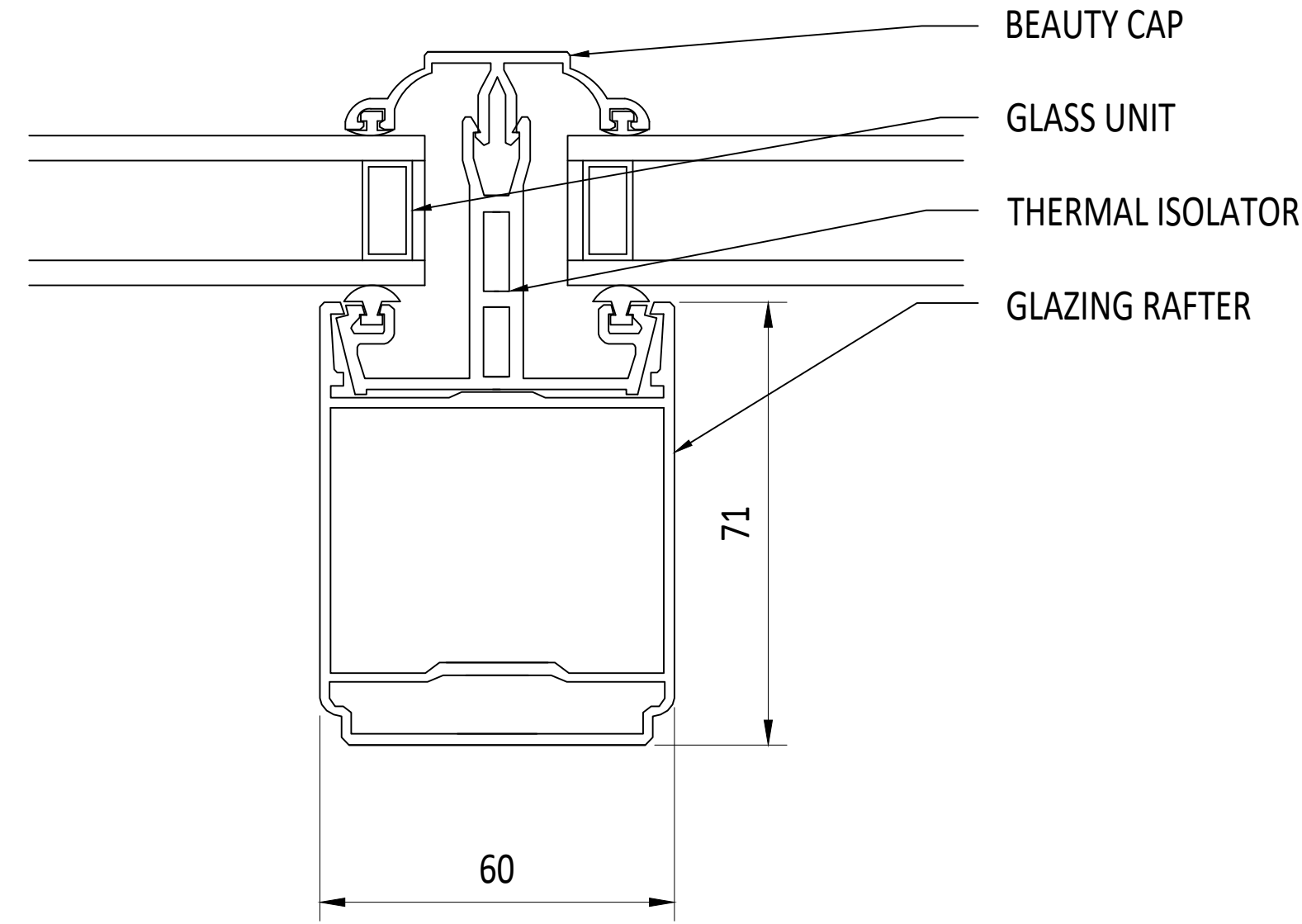
Stock Sizes		
Span	Length	Weight
1600	1600	91
1600	1800	99
1600	2000	108
1600	2200	117
1600	2500	131
1600	3000	153

Stock Sizes		
Span	Length	Weight
1500	1500	82
1500	1800	-
1500	1800	94
1500	2000	103
1500	2200	111
1500	2500	124
1500	3000	145

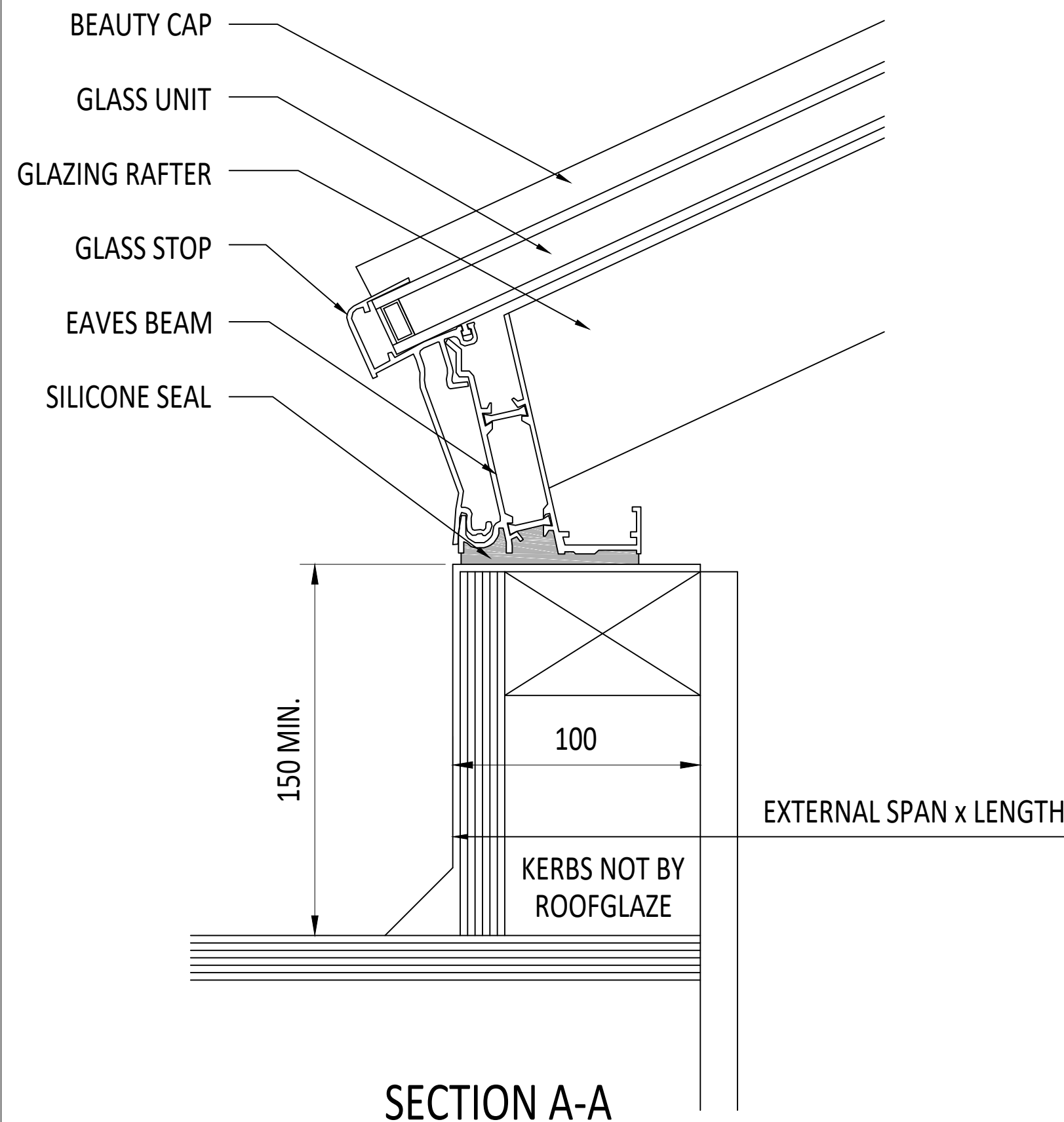
Stock Sizes		
Span	Length	Weight
1400	1400	73
1400	1800	-
1400	1600	81
1400	1800	89
1400	2000	97
1400	2200	105
1400	2500	117
1400	3000	137

Stock Sizes		
Span	Length	Weight
1200	1200	58
1200	1400	65
1200	1500	69
1200	1600	72
1200	1800	79
1200	2000	86
1200	2200	94
1200	2500	104
1200	3000	122

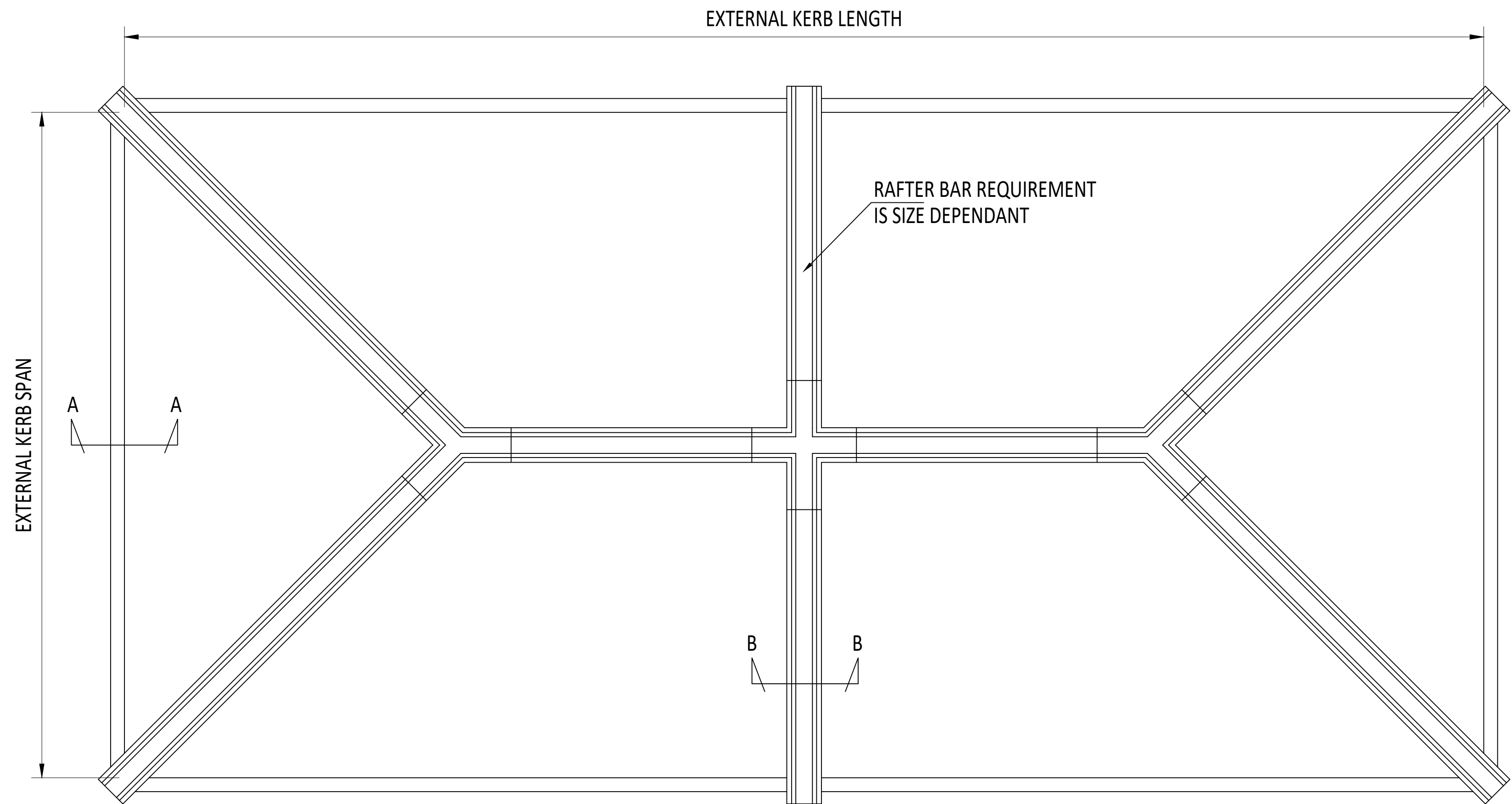
Stock Sizes		
Span	Length	Weight
1000	1000	45
1000	1200	51
1000	1400	57
1000	1500	60
1000	1600	63
1000	1800	69
1000	2000	76
1000	2200	82
1000	2500	91
1000	3000	107



SECTION B-B



SECTION A-A



LANTERN PLAN VIEW

IF IN DOUBT ASK
DO NOT SCALE

IT IS THE RESPONSIBILITY OF THE KERB DESIGNER TO ENSURE THE KERB WILL BE STRUCTURALLY ADEQUATE TO HOLD THE ROOFLIGHT. KERBS SHOWN ON ROOFGLAZE DRAWINGS ARE FOR ILLUSTRATION PURPOSES ONLY.

Roofglaze would advise an installation with a minimum pitch of 5° for rooflight units to minimize water pooling. Whilst the product can be installed flat without detriment to the warrantee, Roofglaze cannot be held responsible for any excessive pooling of water to the surface of the rooflight post installation, if installed without an adequate fall.

THIS DRAWING MUST NOT BE COPIED OR PASSED TO A THIRD PARTY WITHOUT WRITTEN CONSENT FROM ROOFGLAZE LIMITED.

CHECKED
DATE
DRAWN
D. PUGH
DATE
18-10-2017

TOLERANCE UNLESS OTHERWISE STATED ±5
DIMENSIONS IN MM
SCALE
1:X @ A1

MATERIAL
ALUMINIUM + GLASS
FINISH
POLYESTER POWDER COATING COLOUR
T.B.C.

REV	AMENDMENTS	SIGNED	CHECKED	DATE

Roofglaze Limited,
11 Howard Road, Eaton Socon, St Neots, Cambs, PE19 8ET
Telephone 01480 474797. Fax 01480 474774.
E-mail technical@roofglaze.co.uk

TITLE:
KORNICHE LANTERN



DRAWING N°:
RG-200-10
SHEET 1

A1

REV