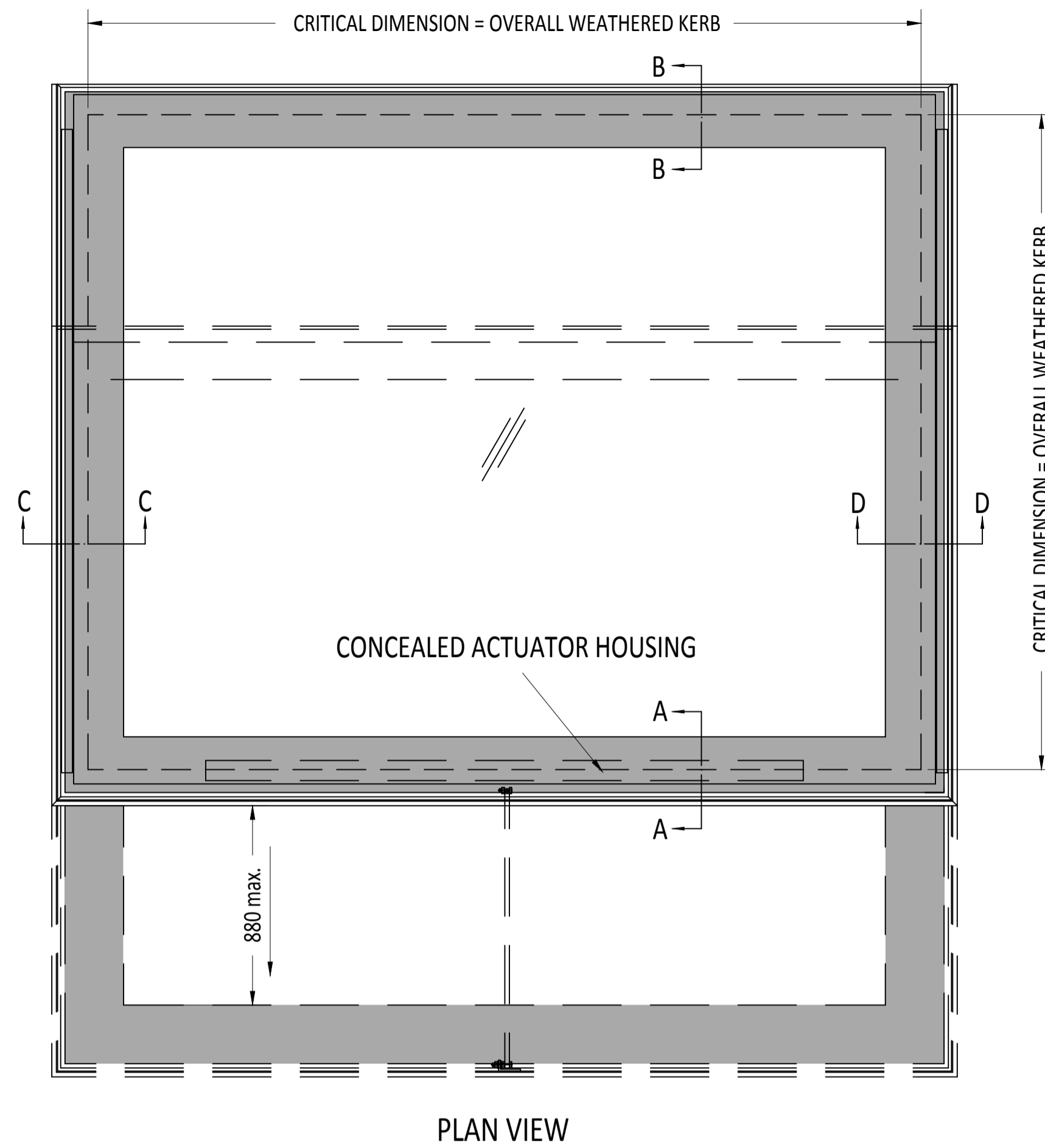


**CDM : HAZARD IDENTIFICATION - HANDLING MATERIALS**  
BE AWARE OF SHARP EDGES AND CORNERS WHEN HANDLING MATERIALS. MOST EDGES AND CORNERS WILL BE DEBURRDED BUT THERE IS STILL A SMALL RISK WEAR APPROPRIATE PPE REQUIRED FOR THE TASK.  
THE MHOR 1992 SET OUT A CLEAR RANKING OF MEASURES FOR DEALING WITH RISKS FROM MANUAL HANDLING, THESE ARE:

- FIRST: AVOID HAZARDOUS MANUAL HANDLING OPERATIONS SO FAR AS IS REASONABLY PRACTICABLE;
- SECOND: ASSESS ANY HAZARDOUS MANUAL HANDLING OPERATIONS THAT CANNOT BE AVOIDED; AND
- THIRD: REDUCE THE RISK OF INJURY SO FAR AS IS REASONABLY PRACTICABLE.

HAND PROTECTION (MANDATORY) TO: BS EN 388:1994.  
REFER TO RISK ASSESSMENT FOR FURTHER DETAILS.  
ROOFLIGHTS MUST ONLY BE INSTALLED BY COMPETENT CONTRACTORS.  
DANGER OF DAMAGING GLASS IF IT IS WALKED UPON. GLASS IS CLASSED AS NON-FRAGILE BUT SHOULD NOT BE WALKED ON. USE SPREADER BOARDS



PLAN VIEW

**NOTES**

X No. REQUIRED

**GLAZING SPECIFICATION:**  
OUTER SKIN: 6mm CLEAR TOUGHENED GLASS WITH SANDBLAST BORDER TO FACE 2  
CAVITY: 16mm ARGON FILLED + WARM EDGE SPACER  
INNER SKIN: 6mm CLEAR HST TOUGHENED GLASS WITH LOW-E COATING TO CAVITY FACE  
SILICONE BONDED

ROOFLIGHT WEIGHT = 58kg/m<sup>2</sup>

DESIGN LOAD = 750 N/m<sup>2</sup>. (Please inform us if you require a higher load for wind etc.)

SANDBLAST BORDER SHOWN AS STANDARD TO COVER GLAZING FRAME. OTHER DIMS AVAILABLE UPON REQUEST. PAINT OPTION AVAILABLE ON TOUGHENED/ TOUGHENED DGU'S ONLY.

LIGHT TRANSMISSION = 78%

SOLAR G VALUE = 0.63

ACOUSTIC = 34 Rw dB

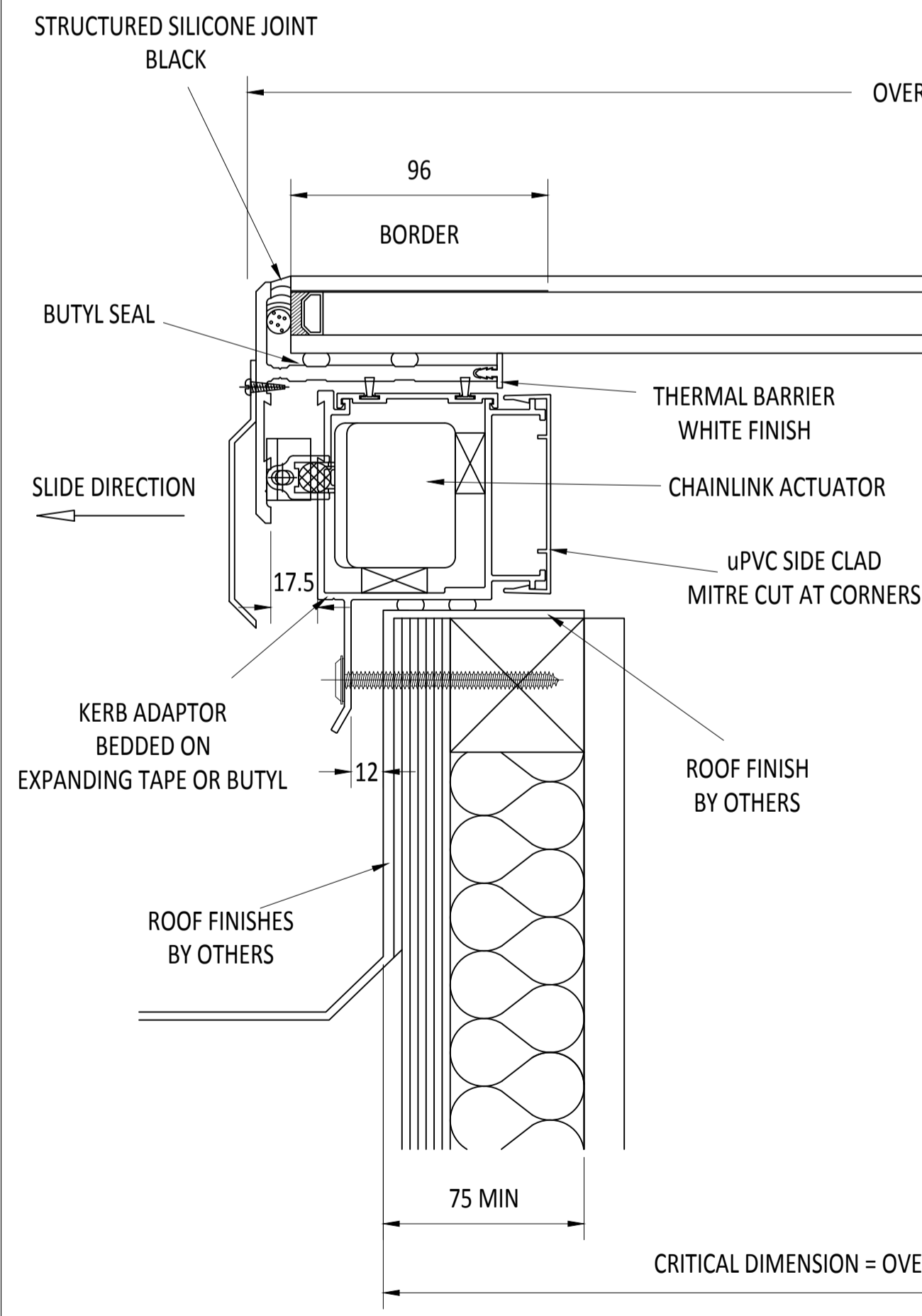
CENTRE PANE U VALUE = 1.1W/m<sup>2</sup>.K

PRODUCT U VALUE = AS LOW AS 1.3 W/m<sup>2</sup>.K

DIMENSIONS SHOWN DOWN THE SLOPE.

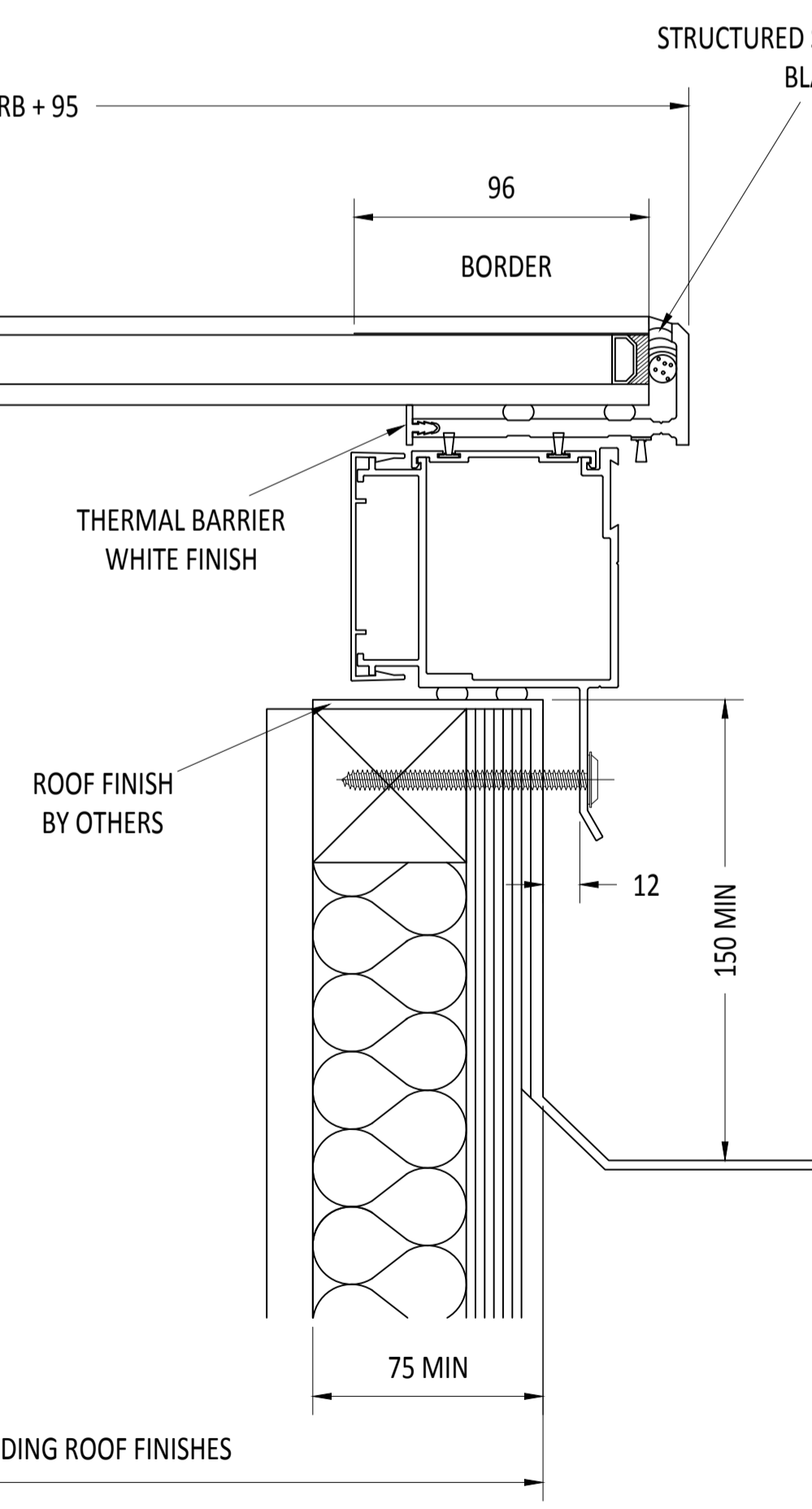
POWDERED BY 1 No. 24v CHAIN LINKED ACTUATOR. SUPPLIED WITH TOUCHPOINT TRANSFORMER SWITCH

ELECTRIC COMMISSIONING BY OTHERS.



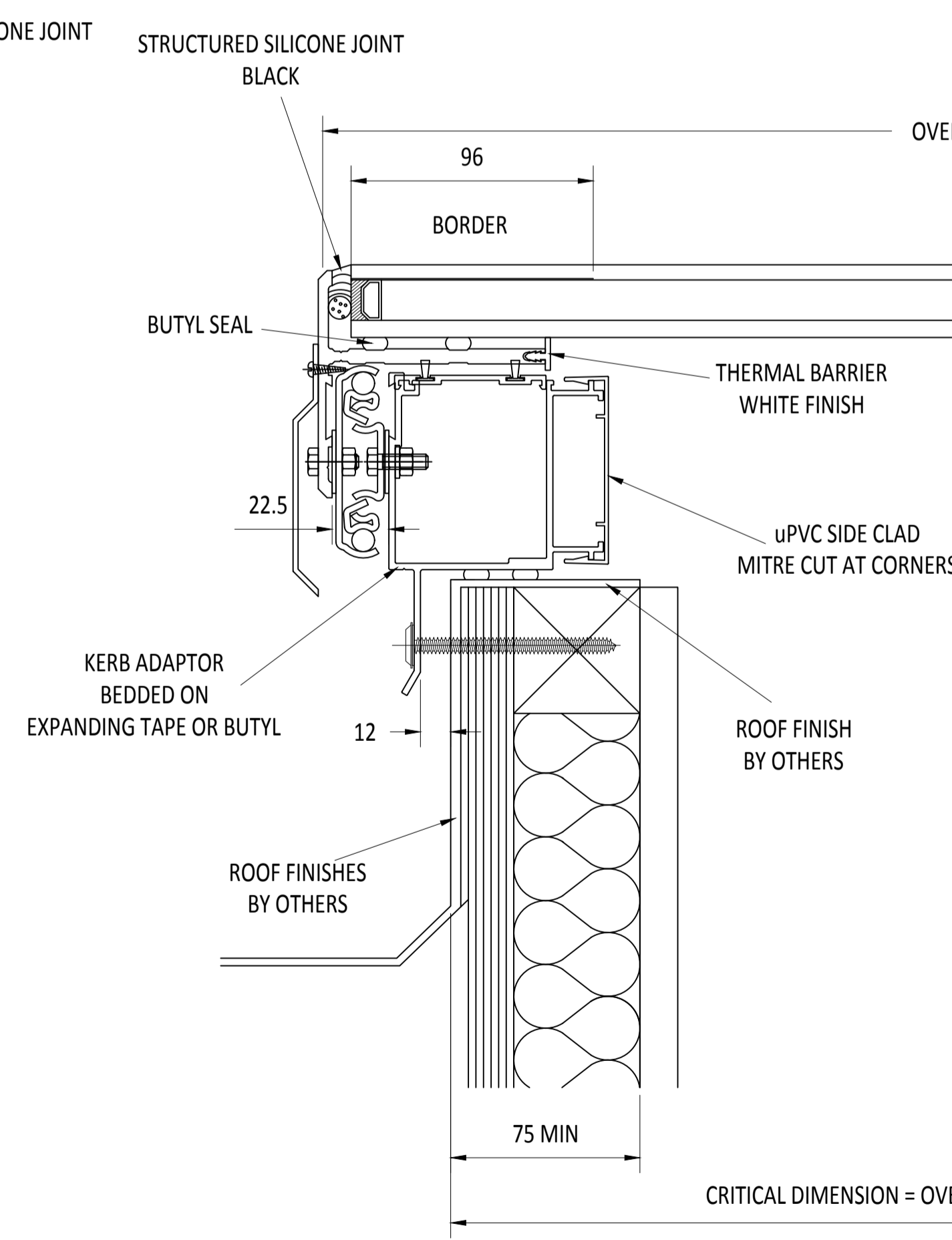
SECTION A-A

OVERALL ROOFLIGHT SIZE = OVERALL KERB + 95



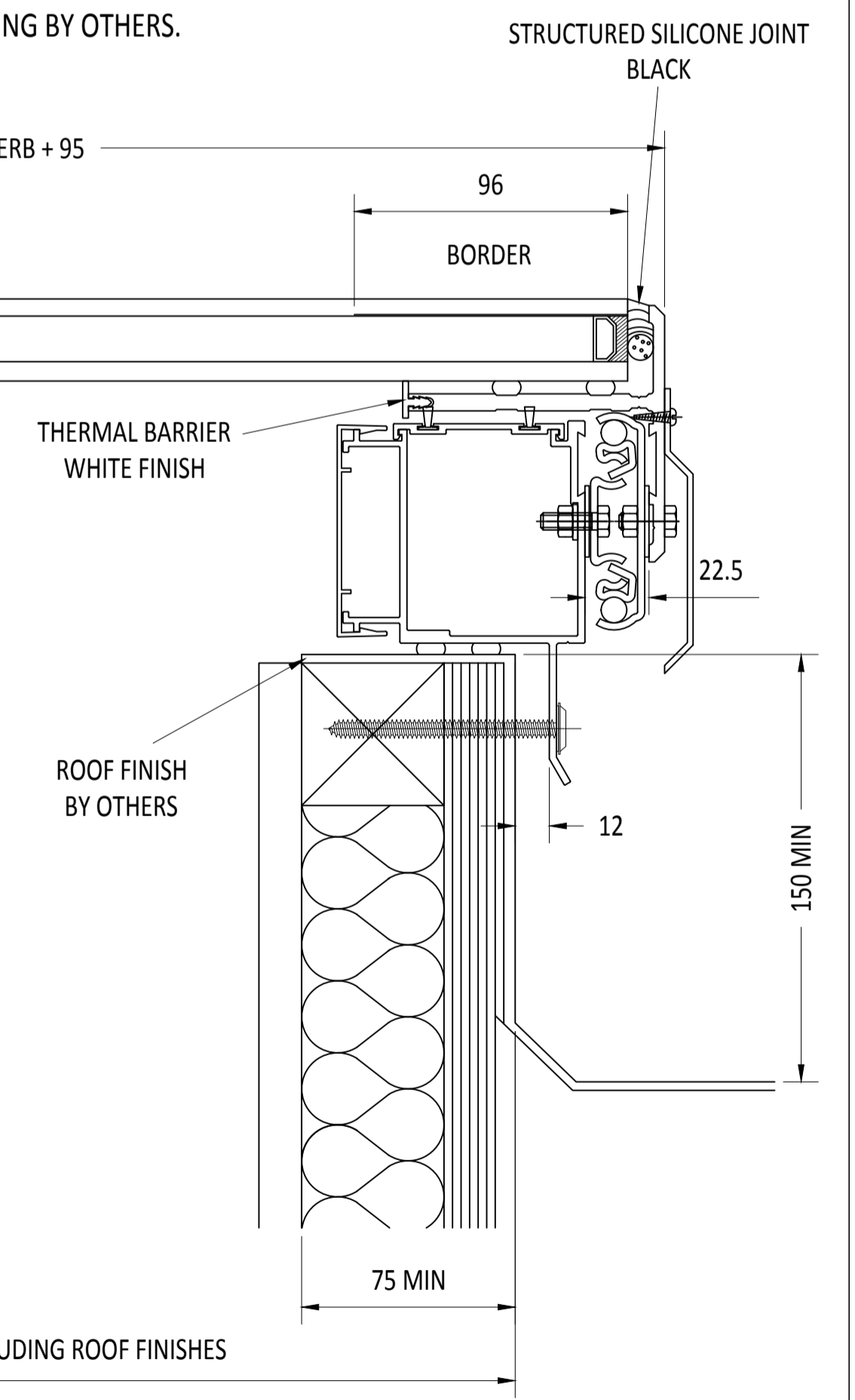
SECTION B-B

CRITICAL DIMENSION = OVERALL EXTERNAL DIMENSION, INCLUDING ROOF FINISHES



SECTION C-C

CRITICAL DIMENSION = OVERALL EXTERNAL DIMENSION, INCLUDING ROOF FINISHES



SECTION D-D

IF IN DOUBT ASK  
DO NOT SCALE

IT IS THE RESPONSIBILITY OF THE KERB DESIGNER TO ENSURE THE KERB WILL BE STRUCTURALLY ADEQUATE TO HOLD THE ROOFLIGHT. KERBS SHOWN ON ROOFLAZE DRAWINGS ARE FOR ILLUSTRATION PURPOSES ONLY.

Roofglaze would advise an installation with a minimum pitch of 5° for rooflight units to minimize water pooling. Whilst the product can be installed flat without detriment to the warrantee, Roofglaze cannot be held responsible for any excessive pooling of water to the surface of the rooflight post installation, if installed without an adequate fall.

THIS DRAWING MUST NOT BE COPIED OR PASSED TO A THIRD PARTY WITHOUT WRITTEN CONSENT FROM ROOFLAZE LIMITED.

CHECKED  
DATE  
DRAWN  
D. PUGH  
DATE  
11-01-2016

TOLERANCE UNLESS OTHERWISE STATED ±5  
DIMENSIONS IN MM  
SCALE 1:8 @ A1  
1:2 @ A1

MATERIAL ALUMINIUM + GLASS  
FINISH POLYESTER POWDER COATING COLOUR T.B.C.

REV	AMENDMENTS	SIGNED	CHECKED	DATE

Roofglaze Limited,  
11 Howard Road, Eaton Socon, St Neots, Cambs, PE18 8ET  
Telephone 01480 474797. Fax 01480 474774.  
E-mail technical@roofglaze.co.uk

TITLE: **DOUBLE GLAZED HINGED FLATGLASS**  
**24v SLIDING HINGED**

DRAWING N°: **RG-80-304**  
SHEET 1 OF 1

