

NOTES

X No. REQUIRED

GLASS SPEC:
 OUTER : 6mm CLEAR HST TOUGHENED GLASS + UNEQUAL BLACK BORDER
 CAVITY : 36mm ARGON FILLED + WARM EDGE SPACER + INTEGRAL WHITE ROLLER BLIND 24v DC OPERATION
 INNER : 6mm CLEAR HST TOUGHENED GLASS + LOW E COATING OR 8.8mm CLEAR LAMINATED + POLISHED EDGES + LOW E COATING SILICONE BONDED

LIGHT TRANSMISSION = 78 %
 CENTRE PANE U VALUE = 1.1 W/m².K
 SOLAR G VALUE = 0.63
 ACOUSTIC REDUCTION = 35 Rw dB
 WEIGHT = X KG

ROOFLIGHT ORDER SIZE = OVERALL FINISHED AND WEATHER KERB DIMS, INTERNAL OPENING SIZE IS NOT RELEVANT AT ORDER STAGE.

GLASS BONDED TO FRAME WITH GLAZING SECURITY TAPE.

KERB DETAILS SHOWN INDICATIVE DETAILED DESIGN BY OTHERS.

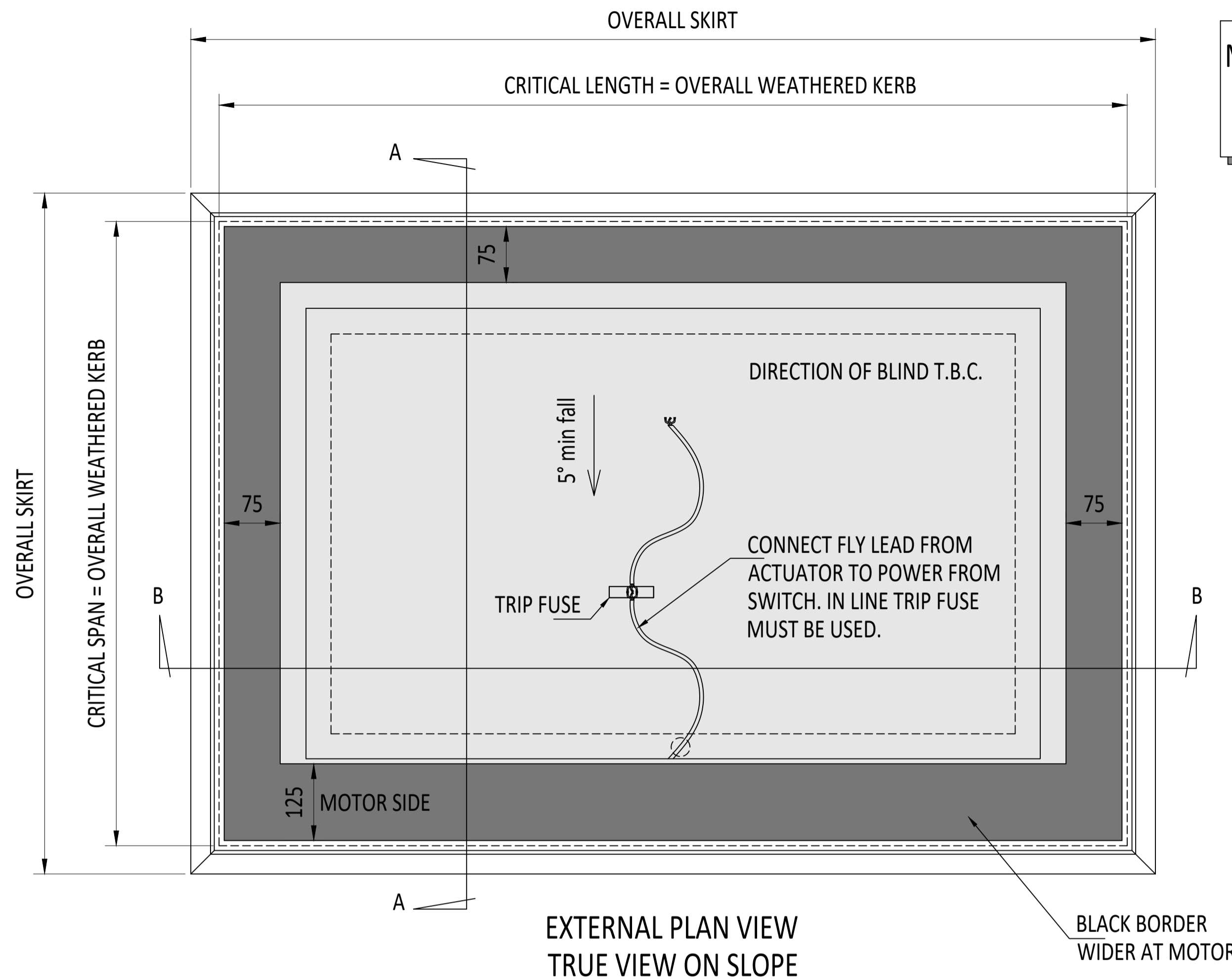
MIN. 5° FALL RECOMMENDED TO HELP SHED WATER. LARGER UNITS MAY REQUIRE STEEPER PITCHES.

PRODUCT U-VALUE = AS LOW AS 0.9 W/m².K (u-values are size dependant)

WITH ANNEALED GLASS MAXIMUM KERB THICKNESS 130mm.

DESIGN LOADS: 750N/m² WIND 640N/m² SNOW AS STANDARD OTHER LOADS TO BE SPECIFIED BY CLIENT.

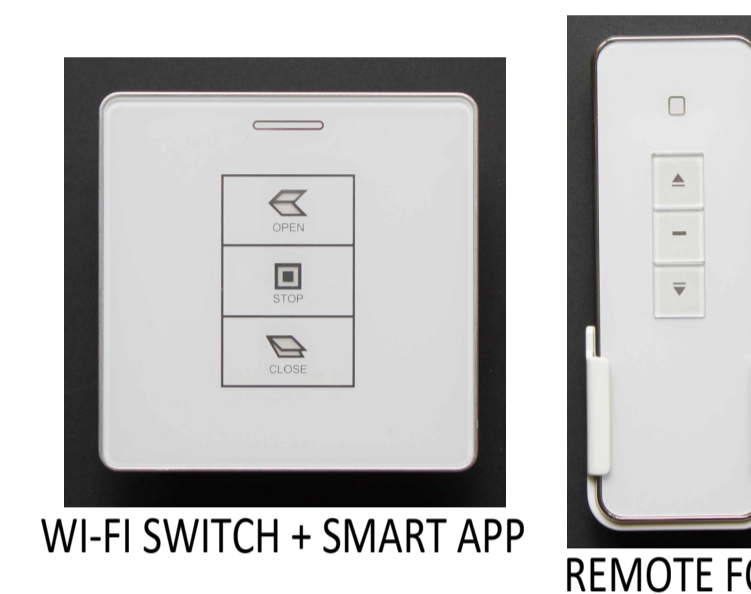
INTEGRAL BLIND:
 TRANSFORMER WALL SWITCH SUPPLIED AS STANDARD. POWERED BY 24v DC SPINDLE ACTUATORS, ALL ELECTRICAL COMMISSIONING BY OTHERS. OTHER SWITCH OR CONTROL OPTIONS, SUCH AS REMOTE OPERATION, AVAILABLE UPON REQUEST.



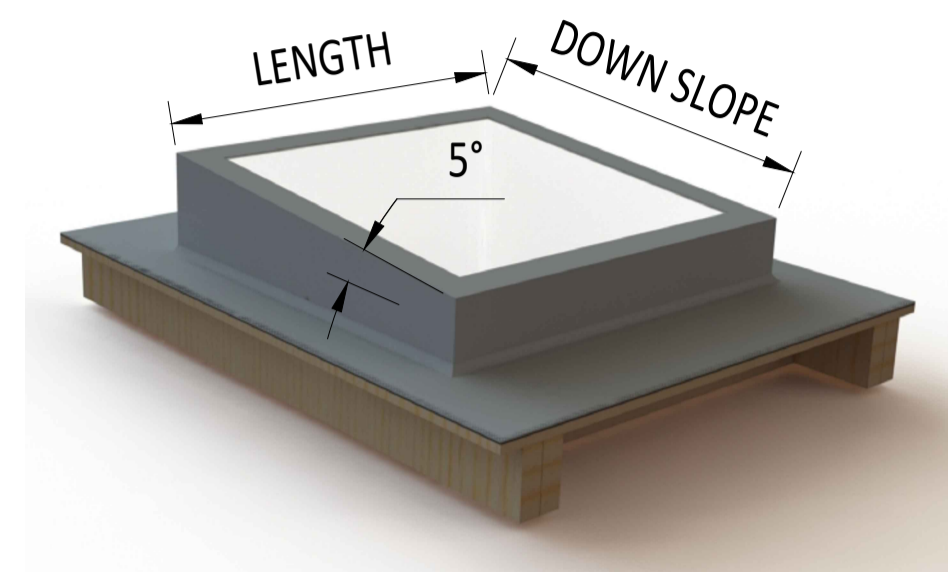
MOTOR PUSHES AND PULLS THE BLIND. MAXIMUM DIM FOR MOTOR SIDE = 1500mm

MAX. SIZES:
 SQUARE 1500 x 1500
 RECTANGLE 1500 x 3000

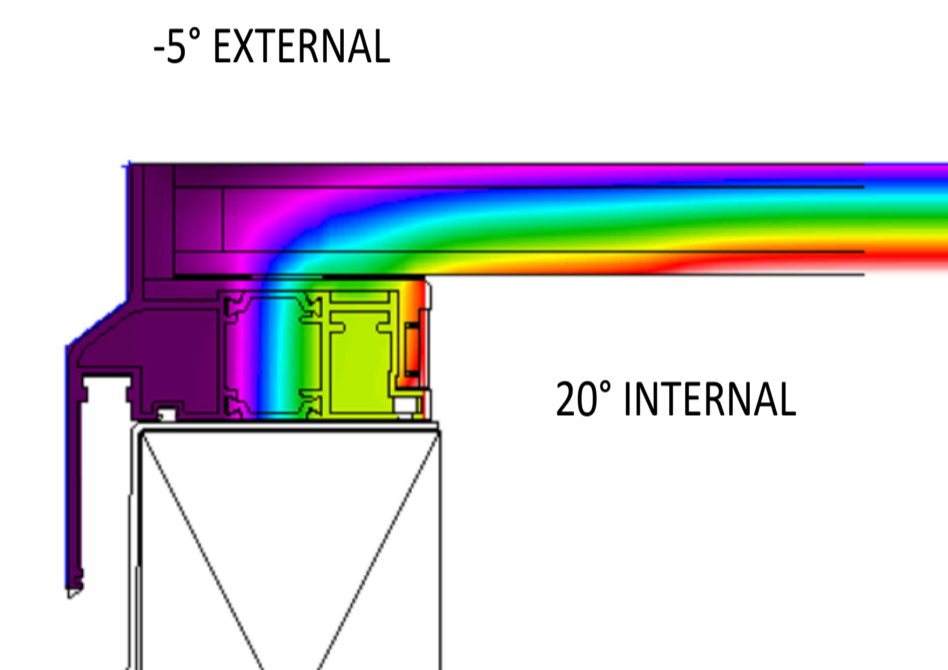
KERB DETAILS SHOWN INDICATIVE ONLY. DETAILED DESIGN BY OTHERS



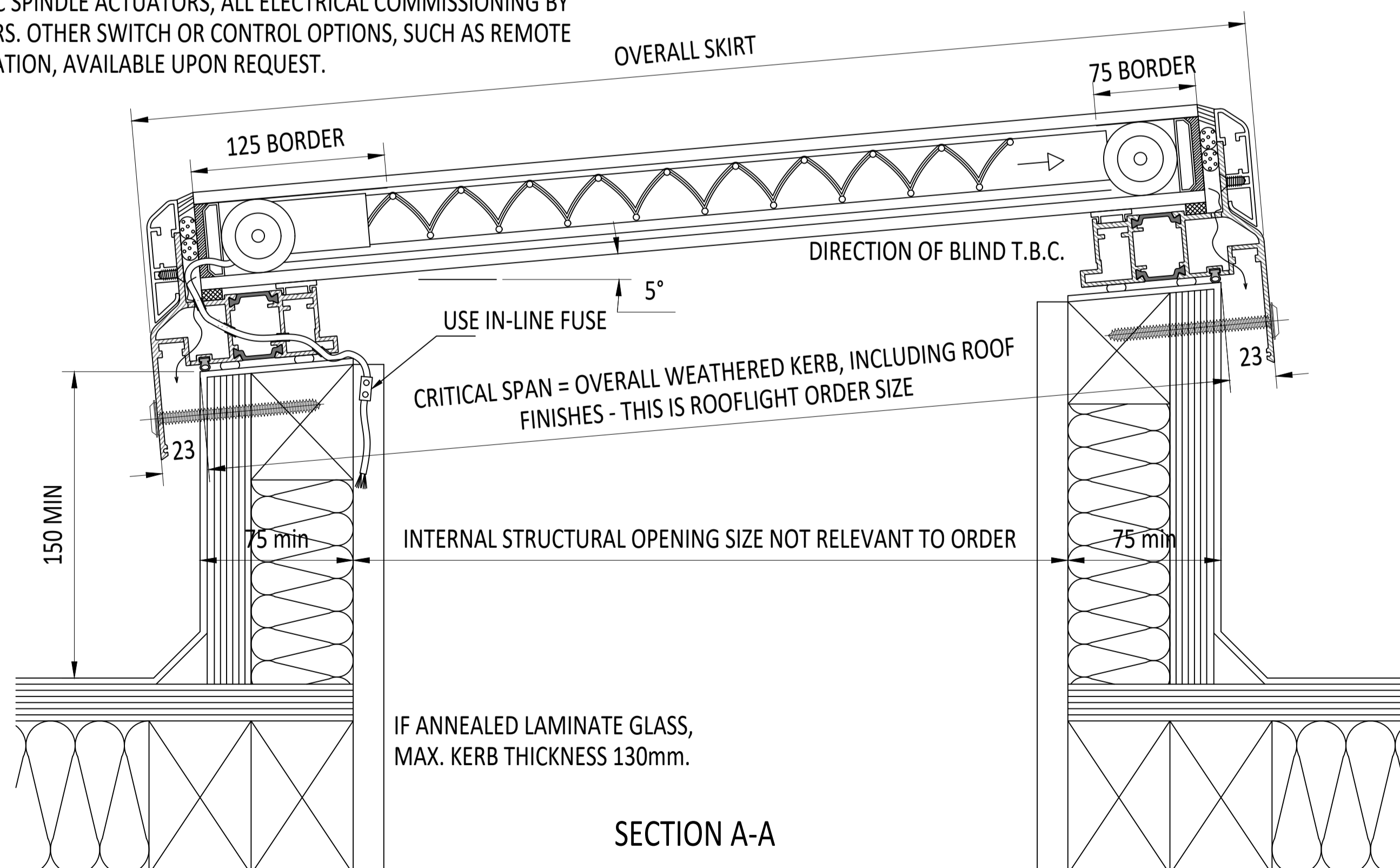
CDM :HAZARD IDENTIFICATION - HANDLING MATERIALS
 BE AWARE OF SHARP EDGES AND CORNERS WHEN HANDLING MATERIALS. MOST EDGES AND CORNERS WILL BE DEBURRED BUT THERE IS STILL A SMALL RISK. WEAR APPROPRIATE PPE REQUIRED FOR THE TASK.
 THE MHOR 1992 SET OUT A CLEAR RANKING OF MEASURES FOR DEALING WITH RISKS FROM MANUAL HANDLING, THESE ARE:
 • FIRST : AVOID HAZARDOUS MANUAL HANDLING OPERATIONS SO FAR AS IS REASONABLY PRACTICABLE;
 • SECOND : ASSESS ANY HAZARDOUS MANUAL HANDLING OPERATIONS THAT CANNOT BE AVOIDED; AND
 • THIRD : REDUCE THE RISK OF INJURY SO FAR AS IS REASONABLY PRACTICABLE.
 HAND PROTECTION (MANDATORY) TO: BS EN 388:1994.
 ROOFLIGHTS MUST ONLY BE INSTALLED BY COMPETENT CONTRACTORS.
 DANGER OF DAMAGING GLASS IF IT IS WALKED UPON. GLASS IS CLASSED AS NON-FRAGILE BUT SHOULD NOT BE WALKED ON. USE SPREADER BOARDS.
 REFER TO RISK ASSESSMENT FOR FURTHER DETAILS.
 FALL FROM HEIGHTS DURING INSTALLATION.



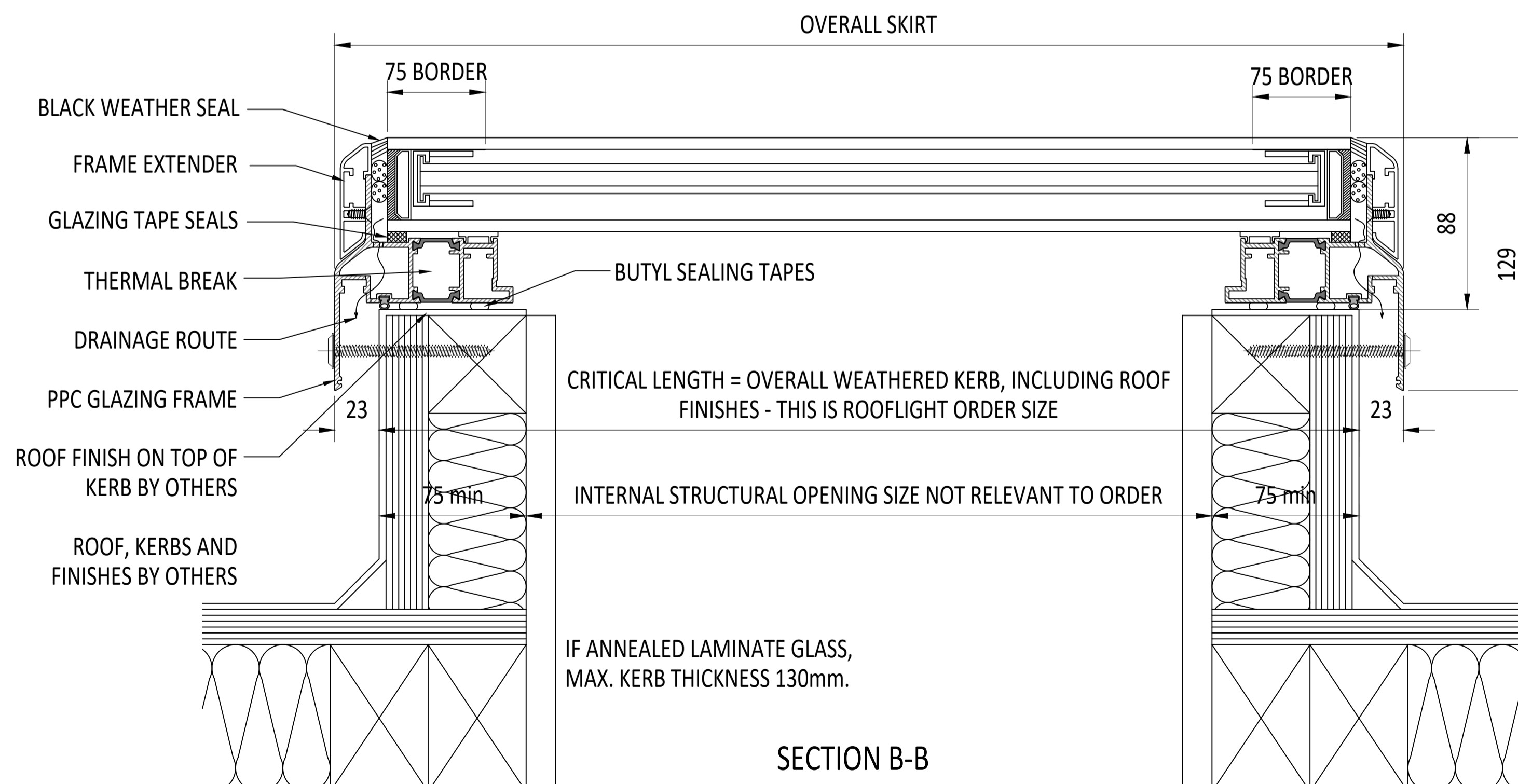
3D EXAMPLE OF KERB



THERMAL IMAGING OF FRAME



SECTION A-A



SECTION B-B

IF IN DOUBT ASK DO NOT SCALE	IT IS THE RESPONSIBILITY OF THE KERB DESIGNER TO ENSURE THE KERB WILL BE STRUCTURALLY ADEQUATE TO HOLD THE ROOFLIGHT. KERBS SHOWN ON THESE DRAWINGS ARE FOR ILLUSTRATION PURPOSES ONLY.	The Manufacturer would advise an installation with a minimum pitch of 5° for rooflight units to minimize water pooling. Whilst the product can be installed flat without detriment to the warranty. The Manufacturer cannot be held responsible for any excessive pooling of water to the surface of the rooflight post installation, if installed without an adequate fall. Larger units may require a greater fall.	THIS DRAWING MUST NOT BE COPIED OR PASSED TO A THIRD PARTY WITHOUT WRITTEN CONSENT FROM THE MANUFACTURER.	CHECKED	A. PHILLIPS	TOLERANCE UNLESS OTHERWISE STATED ±5	MATERIAL ALUMINIUM + GLASS	FINISH POLYESTER POWDER COATING RAL T.B.C, 70% GLOSS	REV	AMENDMENTS	SIGNED	CHECKED	DATE	Roofglaze Rooflights Ltd. 11 Howard Road, Eaton Socon, St Neots, Cambs, PE19 8ET Telephone 01480 474797 Fax 01480 474774.	DRAWING N°: RGR-80-20-125	REV	SIZE A1	Roofglaze Lighting by nature™
				DATE	04-10-2019													
				DRAWN	D. PUGH													
				DATE	04-10-2019	SCALE	1:2, 1:3 @ A1	TITLE: THERMALLY BROKEN FIXED FLATGLASS + INTEGRAL BLIND										